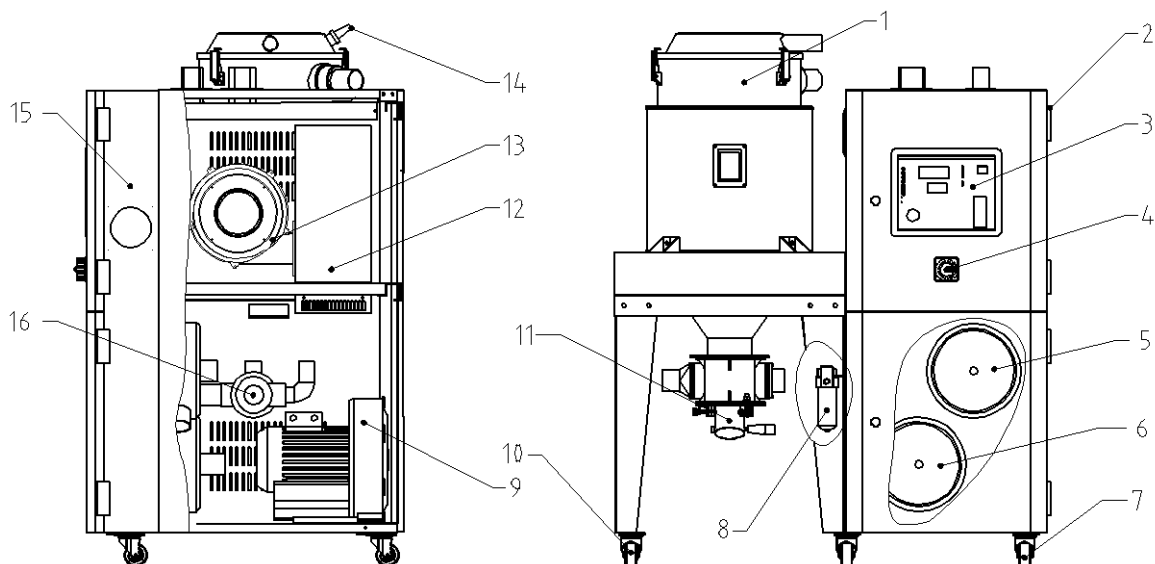


2.2.2 机器零件图



注：零件图中的阿拉伯数字详解见 2.2.3 材料明细表

图 2-3: 机器零件图

2.2.3 零件材料明细表

表 2-1: 零件材料明细表(SDL-20U~120U)

序号	名称	物料编号			
		SDL-20U	SDL-40U	SDL-80U	SDL-120U
1	保温料桶	BY10002000150	BY10004000150	BY10008000150	BY10012000250
2	门绞链	YW06203100200	YW06203100200	YW06203100200	YW06203100200
3	塑胶面板	YR40000400400	YR40000400400	YR40000400400	YR40000400400
4	主电源开关	YE10200300000	YE10200300000	YE10200300000	YE10200300000
5	送料过滤器	YR50708000100	YR50708000100	YR50708000100	YR50708000100
6	回风过滤器	YR50708000100	YR50708000100	YR50708000100	YR50708000100
7	3"刹车脚轮	YW03000300000	YW03000300000	YW03000300000	YW03000300000
8	过滤调压阀*	YE30200020000	YE30200020000	YE30200020000	YE30200020000
9	送料风机*	BM30042000050	BM30042000050	BM30042000050	BM30042000050
10	3"活动脚轮	YW03000300200	YW03000300200	YW03000300200	YW03000300200
11	截料阀吸料盒	BY10203800050	BY10203800050	BY10203800050	BY10203800050
12	电热管**	BH70202200050	BH70400300350	BH70803900250	BH70123900150
13	干燥风机*	BM40001500850	BM40025300850	BM40338000850	BM40338000850
14	铜质消声器	YW80000400300	YW80000400300	YW80000400300	YW80000400300
15	控制箱	BH35002000050	BH35004000050	BH35008000050	BH35012000050
16	三通膜片阀	BY20001500050	BY20001500050	BY20001500050	BY20001500050

*表示可能损坏的项目；**表示较可能损坏的项目，建议备份。

请在下单采购零配件之前，先确认说明书版本号，以确保零配件物料号与实物一致。

表 2-2: 零件材料明细表(SDL-160U~450U)

序号	名称	物料编号			
		SDL-160U	SDL-230U	SDL-300U	SDL-450U
1	保温料桶	BY10016000150	BY10023000050	BY10030000550	BY10045000050
2	门绞链	YW06203100200	YW06203100200	YW06203100200	YW06203100200
3	塑胶面板	YR40000400400	YR40000400400	YR40000400400	YR40000400400
4	主电源开关	YE10200300000	YE10200300000	YE10200300000	YE10200300000
5	送料过滤器	YR50203000000	YR50203000000	YR50203000000	YR50203000000
6	回风过滤器	YR50708000100	YR50708000100	YR50708000100	YR50181100000
7	3"刹车脚轮	YW03000300000	YW03000300000	YW03000300000	YW03000300000
8	过滤调压阀*	YE30200020000	YE30200020000	YE30200020000	YE30200020000
9	送料风机*	BM30042000050	BM30042000050	BM30042000050	BM30042000050
10	3"活动脚轮	YW03000300200	YW03000300200	YW03000300200	YW03000300200
11	截料阀吸料盒	BY10163800250	BY10163800250	BY10163800250	BY10163800250
12	电热管**	BH70160600250	BH70230600250	BH70301200150	BH70451200250
13	干燥风机*	BM40000450850	BM40000450850	BM40538000850	BM40538000850
14	铜质消声器	YW80000400300	YW80000400300	YW80000400300	YW80000400300
15	控制箱	BH35016000050	BH35023000050	BH35030000050	BH35030000050
16	三通膜片阀	BY20001500050	BY20001500050	BY20001500050	BY20001500050

*表示可能损坏的项目；**表示较可能损坏的项目，建议备份。请在下单采购零配件之前，先确认说明书版本号，以确保零配件物料号与实物一致。

表 2-3: 零件材料明细表(SDL-600U~1200U)

序号	名称	物料编号			
		SDL-600U	SDL-750U	SDL-900U	SDL-1200U
1	保温料桶	BY10016000150	BY10075000050	BY10090000550	BY10120000150
2	门绞链	YW06203100200	YW06203100200	YW06203100200	YW06203100200
3	塑胶面板	YR40000400400	YR40000400400	YR40000400400	YR40000400400
4	主电源开关	YE10200300000	YE10200300000	YE10200300000	YE10200300000
5	送料过滤器	YR50241400000	YR50241400000	YR50241400000	YR50241400000
6	回风过滤器	YR50181100000	YR50181100000	YR50181100000	YR50181100000
7	4"刹车脚轮	YW03000400000	YW03000400000	YW03000400000	YW03000400000
8	过滤调压阀*	YE30200020000	YE30200020000	YE30200020000	YE30200020000
9	送料风机*	BM30042000050	BM30042000050	BM30055000050	BM30055000050
10	4"活动脚轮	YW03000400200	YW03000400200	YW03000400200	YW03000400200
11	截料阀吸料盒	BY10163800250	BY10163800250	BY10163800250	BY10163800250
12	电热管**	BH70601800250	BH70601800250	BH70601800250	BH70122400050
13	干燥风机*	BM30055000250	BM30055000150	BM30055000150	BM30113230050
14	铜质消声器	YW80000400300	YW80000400300	YW80000400300	YW80000400300
15	控制箱	BH35060000050	BH35060000050	BH35090000050	BH35120000050
16	三通膜片阀	BY20001500050	BY20001500050	BY20002000150	BY20002000150

*表示可能损坏的项目；**表示较可能损坏的项目，建议备份。

请在下单采购零配件之前，先确认说明书版本号，以确保零配件物料号与实物一致。