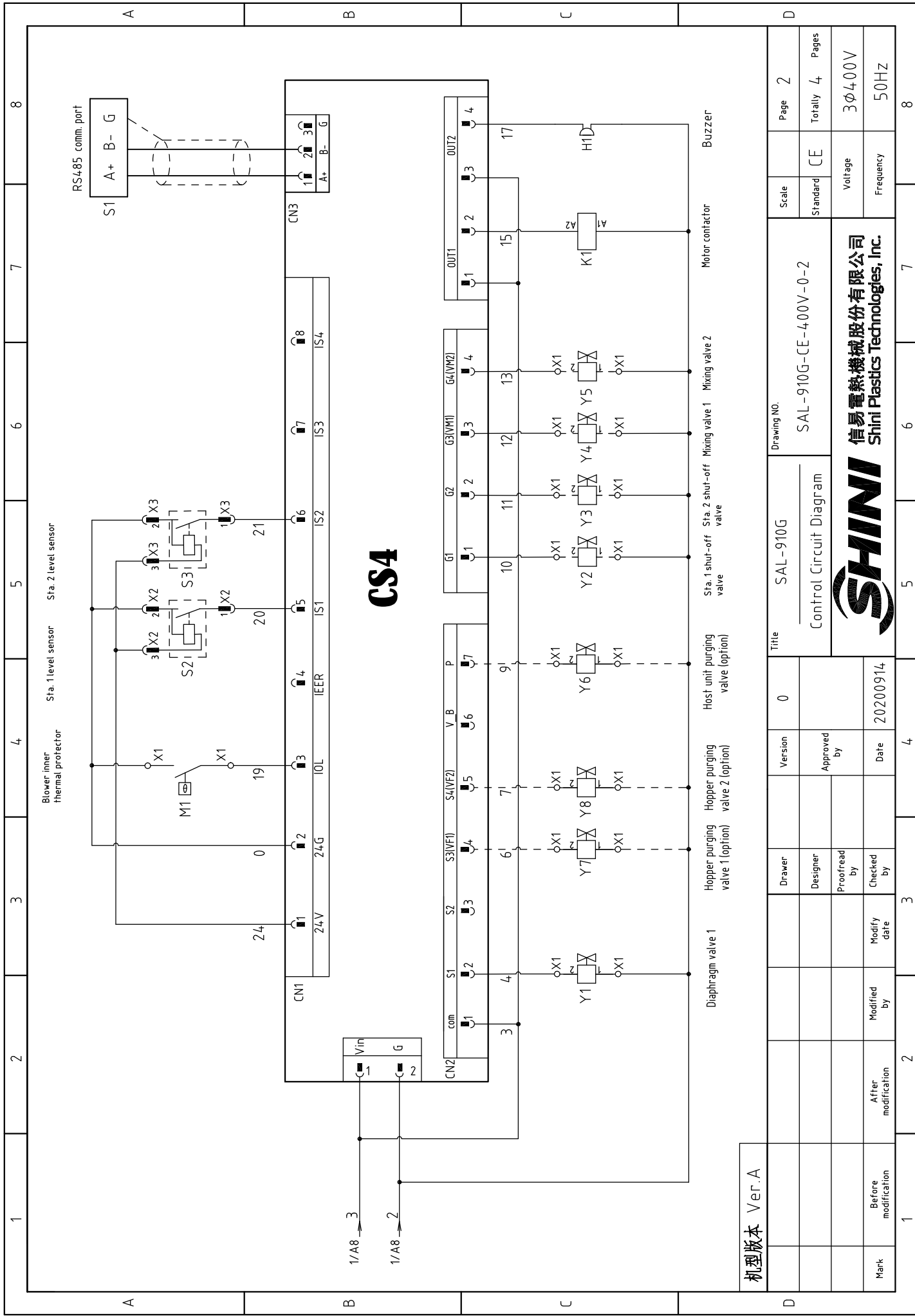


机型版本 Ver.A

Drawing No.		SAL-910G-CE-400V-0-1		Scale	Page 1
Title		SAL-910G		Standard	Totally 4 Pages
Version		0		Voltage	3Φ400V
Approved by				Frequency	50HZ
Date		20200914			
Modified by					
Modify date					
Before modification					
After modification					

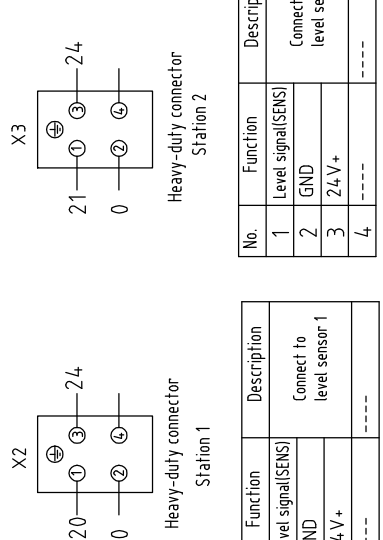
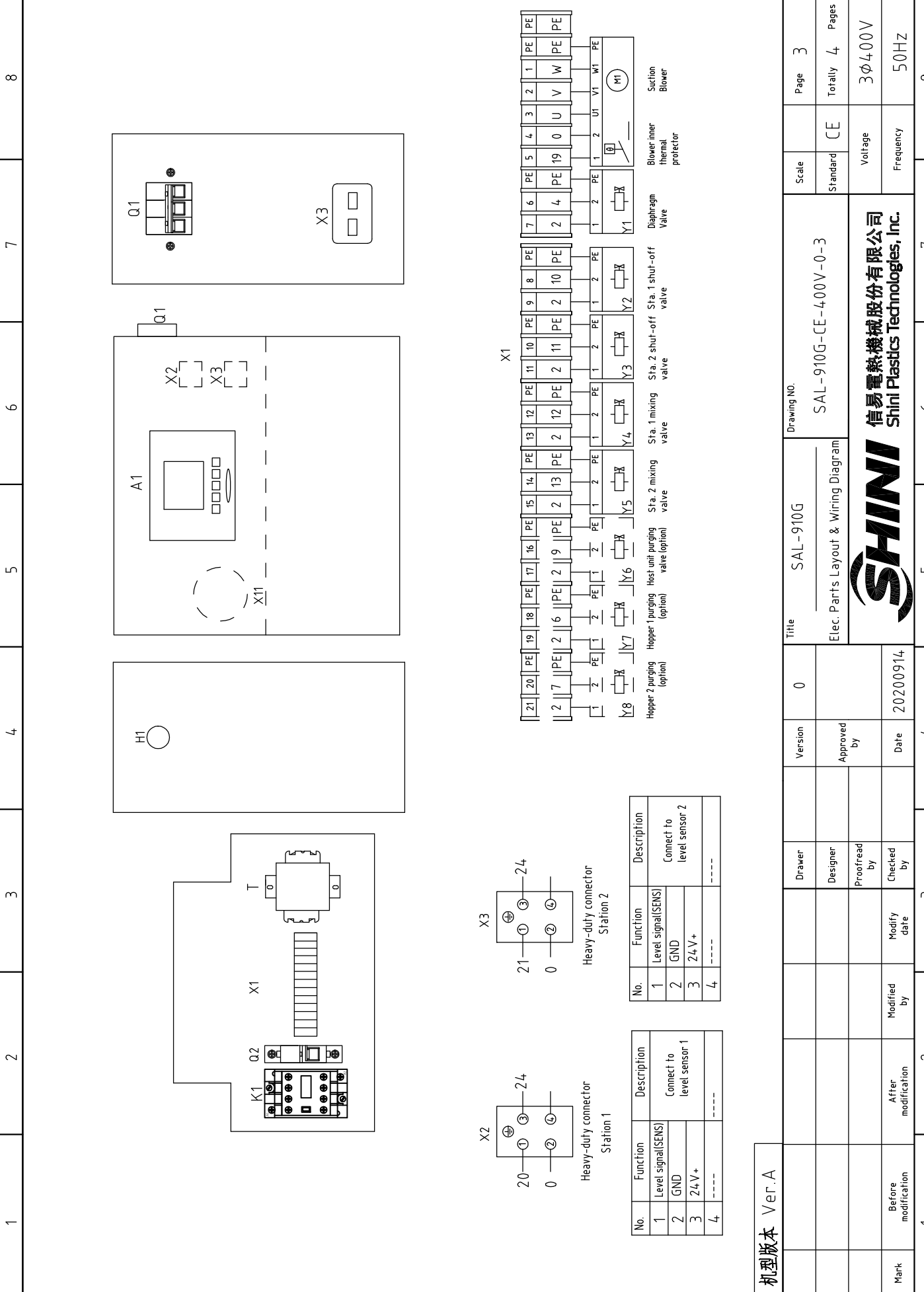




CS4

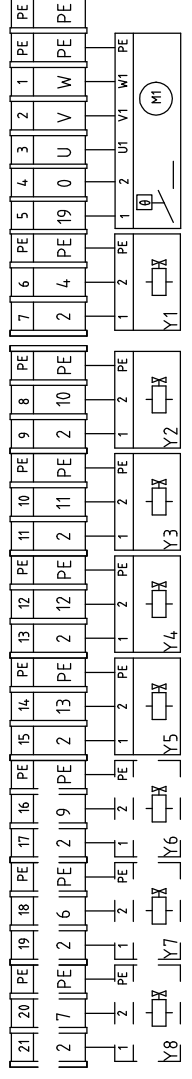
机型版本	Ver. A
Mark	Before modification
	After modification
	Modified by
	Modify date
	Checked by
	Proofread by
	Designer
	Drawer
	Version
	0
	Title
	SAL-910G
	Control Circuit Diagram
	Drawing No.
	SAL-910G-CE-400V-0-2
	Scale
	CE
	Standard
	Page
	2
	Totally
	4
	Pages
	3Φ400V
	Voltage
	50HZ
	Frequency





No.	Function	Description
1	Level signal(SENS)	
2	GND	Connect to level sensor 1
3	24V+	
4	----	----

No.	Function	Description
1	Level signal(SENS)	
2	GND	Connect to level sensor 2
3	24V+	
4	----	----



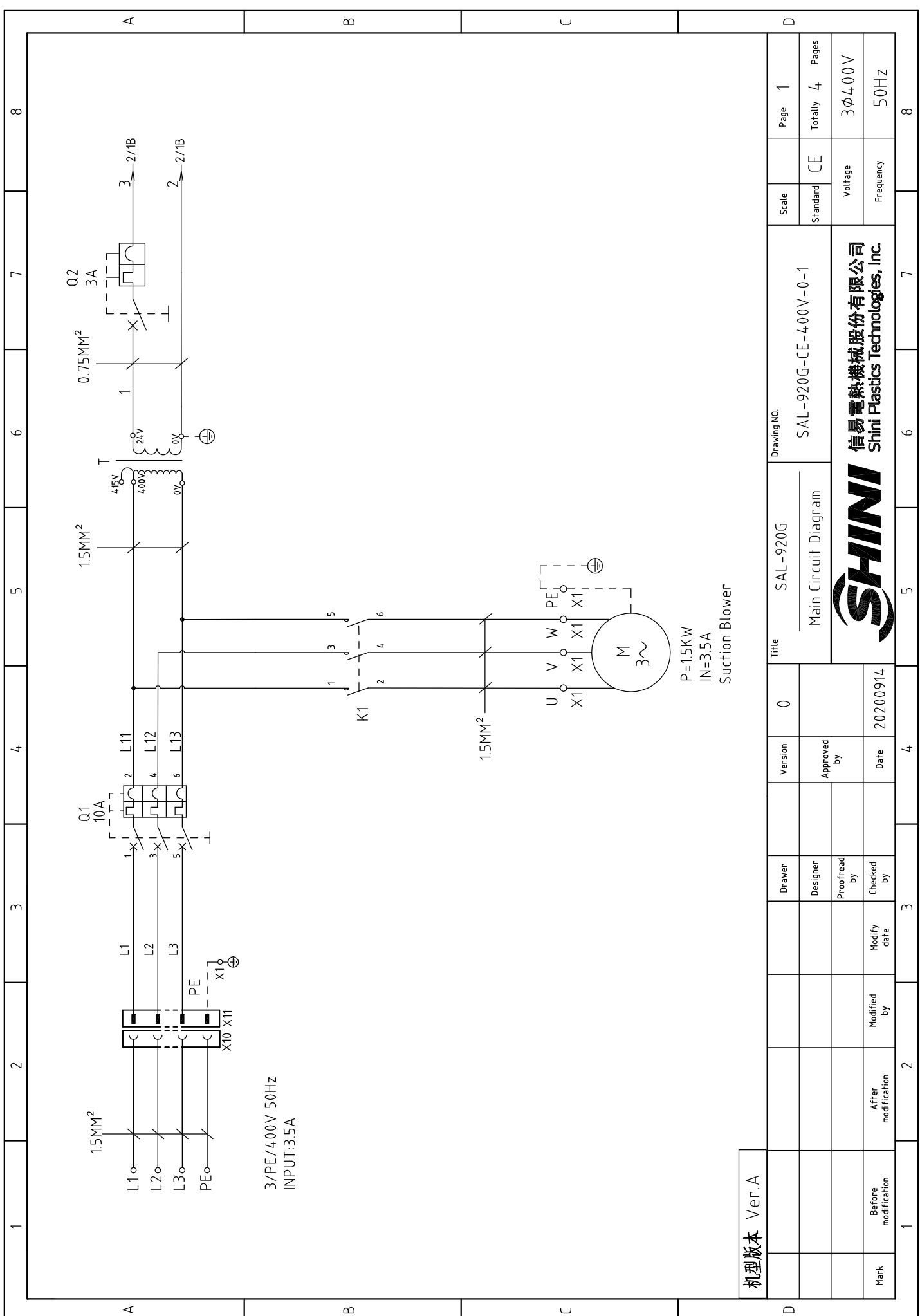
No.	Function	Description
1	Hopper 1 purging (option)	
2	Hopper 2 purging (option)	
3	Host unit purging (option)	
4	Sta. 2 mixing valve	
5	Sta. 1 mixing valve	
6	Sta. 2 shut-off valve	
7	Sta. 1 shut-off valve	
8	Diaphragm Valve	
9	Blower inner thermal protector	
10	Suction Blower	

机型版本 Ver. A		Drawing No.		Scale		Page	
		SAL-910G		SAL-910G-CE-400V-0-3		3	
		Elec. Parts Layout & Wiring Diagram		Standard CE		Totally 4	
		Version 0		Voltage 3φ400V		Frequency 50HZ	
		Approved by		Date 20200914			
		Proofread by		Modified by			
		Checked by		After modification			
		Modified date		Before modification			
Mark		Date		Modified by		Modified date	
		20200914					
		Designer		Proofread by		Checked by	
		Drawer		Designer		Proofread by	



1		2		3		4		5		6		7		8	
N0	Symbol	Name	Manufacturer	Type	Specification	Number	Material number	Remark							
1	X11	Industrial hidden socket	QX	QX-813 4P/16A(male)	4P/16A	1	YE62081300000								
2	Q1	Circuit breakers	TECO	BM-63C/3010S	10A	1	YE40301003000								
3	Q2	Circuit breakers	TECO	BM-63C/1003S	3A 1P	1	YE40100203000								
4	K1	AC contactors	SCHNEIDER	LC1-D09M7C	24VAC	1	YE00972400000								
5	A1	Controllor	YUYUN	CS4	24VAC/DC	1	YE80042401200								
6	S1	RS-485 comm. plate	YUYUN	---	Dsub-9pin connector	1	YE90048501200								
7		Shell RS485(SAL-700G-A-19)ver.0	bincheng	---	PCS	1	YR40048500000								
8	H1	Buzzer	APT	PK-35A	24VAC/DC	1	YE84003500600								
9	T	Transformer	JIUXIN	400V/415V OUT=24V	80VA	1	YE70040006500								
10	X1	Wiring terminal	HONEYWELL	SK2.5	2.5mm ²	11	YE60002503200								
11		Wiring terminal	HONEYWELL	GK2.5PE	2.5PE	5	YE60002503400								
12		Wiring terminal	HONEYWELL	SK2.5	2.5mm ²	2	YE60002503200	(2)							
13		Wiring terminal	HONEYWELL	GK2.5PE	2.5PE	1	YE60002503400	(2)							
14		Wiring terminal	HONEYWELL	SK2.5	2.5mm ²	4	YE60002503200	(3)							
15		Wiring terminal	HONEYWELL	GK2.5PE	2.5PE	2	YE60002503400	(3)							
16		Terminal fittings E/GK series	HONEYWELL	---	PCS	2	YE60000003900								
17	X2 X3	Heavy duty connectors	HARTING	Han E-4F(female)	4P	2	YE68000401400								
18	M	Blower	SHINI	RB-310	1HP 400V 50HZ	1	---	(1)							
19	Y1 - Y5	Solenoid vavle	AIRTAC	---	24VAC	5	---	(1)							
20	S2 S3	Photo sensor switch	FOTEK	MT-4MNO-30VDC	10...30VDC	2	---	(1) SVH							
21		Magnetic reed switch	SONON	BN12-30BLA	24VDC	2	---	(1) SMH							
机型版本 Ver.A Notes: (1) Materials not in the control box; (2) Host unit purging; (3) Optional hopper purging valve;															
D		Title		Drawing No.		Scale		Page		Standard		Voltage		Pages	
		SAL-910G		SAL-910G		SAL-910G-CE-400V-0-4		4		CE		3φ400V		4	
		Elec. Parts List 1						Totally				Frequency		50HZ	
								8							
Mark		After modification		Modified by		Modify date		Checked by		Proofread by		Designer		Drawer	
						20200914									
1		2		3		4		5		6		7		8	

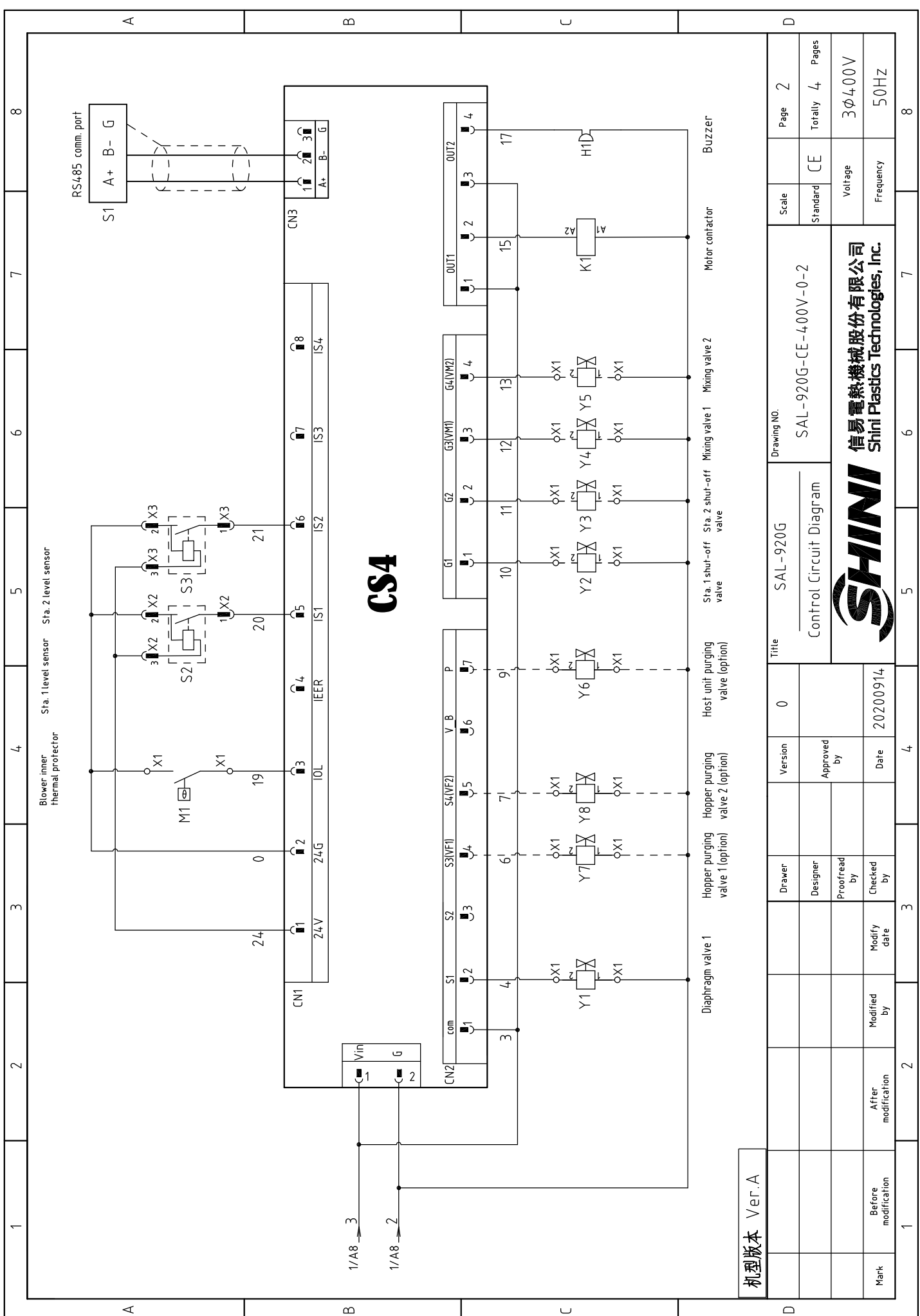




机型版本 Ver.A

D	Drawing No.		SAL-920G-CE-400V-0-1		Scale	Page 1
	Title		SAL-920G		Standard	Totally 4 Pages
Main Circuit Diagram		Version		0		CE
Approved by		Designer		Proofread by		Voltage
Date		Checked by		Modify date		Frequency
20200914						3Φ400V
						50Hz
						8



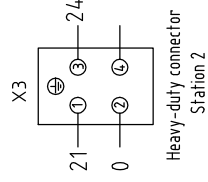
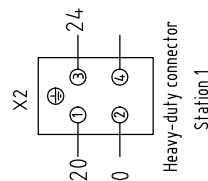
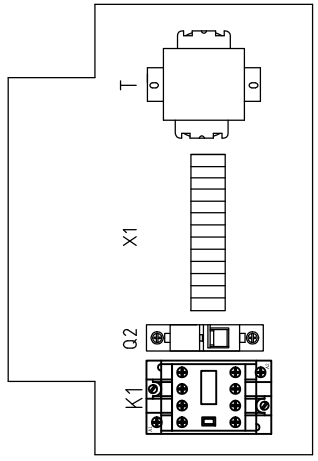
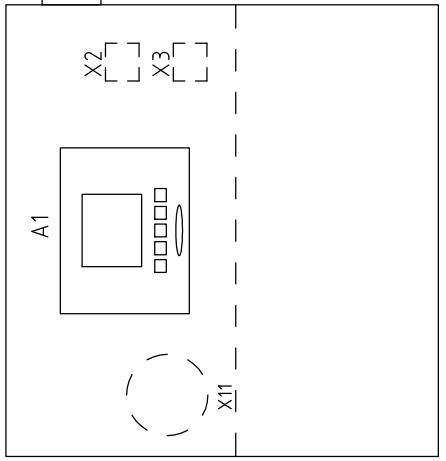
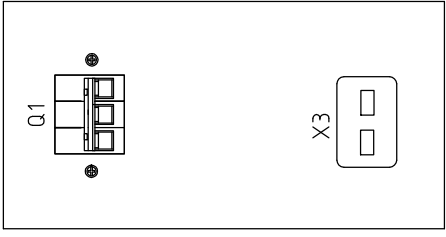


CS4

机型版本 Ver.A

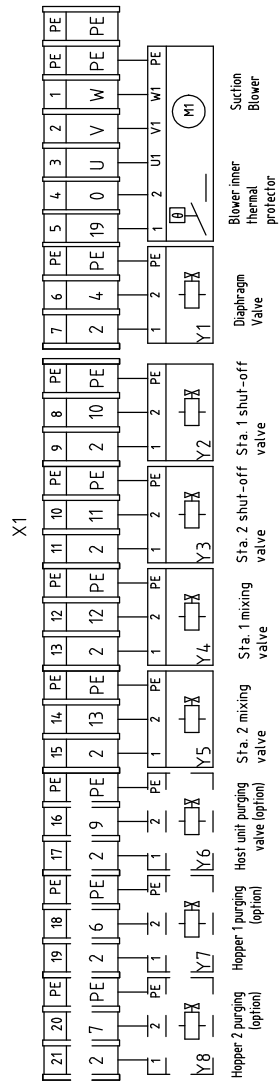
Mark	Before modification	Modified by	Modify date	Version	0	Title	SAL-920G		Drawing No.	SAL-920G-CE-400V-0-2		Scale	Page	2
	After modification	Modified by	Modify date		Approved by		20200914	Control Circuit Diagram		Standard	CE		Totally	4
										Voltage	3Φ400V			
										Frequency	50HZ			





No.	Function	Description
1	Level signal(SENS)	Connect to level sensor 1
2	GND	
3	24V+	
4	----	----

No.	Function	Description
1	Level signal(SENS)	Connect to level sensor 2
2	GND	
3	24V+	
4	----	----



机型版本	Ver.A	Title	SAL-920G	Drawing No.	SAL-920G-CE-400V-0-3	Scale	Page 3
							Totally 4 Pages
Mark	Before modification	Modified by		Modify date		Checked by	
		Proofread by		Designer		Approved by	
		Version	0	Date	20200914		

Standard	CE	Voltage	3Φ400V
Frequency		Frequency	50HZ



1		2		3		4		5		6		7		8																																																	
N0	Symbol	Name	Manufacturer	Type	Specification	Number	Material number	Remark																																																							
1	X11	Industrial hidden socket	QX	QX-813 4P/16A (male)	4P/16A	1	YE62081300000																																																								
2	Q1	Circuit breakers	TECO	BM-63C/3016S	16A	1	YE40301603000																																																								
3	Q2	Circuit breakers	TECO	BM-63C/1003S	3A 1P	1	YE40100203000																																																								
4	K1	AC contactors	SCHNEIDER	LC1-D09M7C	24VAC	1	YE00972400000																																																								
5	A1	Controller	YUYUN	CS4	24VAC/DC	1	YE80042401200																																																								
6	S1	RS-485 comm. plate	YUYUN	---	Dsub-9pin connector	1	YE90048501200																																																								
7		Shell RS485(SAL-700G-A-19)ver.0	bincheng	---	PCS	1	YR40048500000																																																								
8	H1	Buzzer	APT	PK-35A	24VAC/DC	1	YE84003500600																																																								
9	T	Transformer	JIUXIN	230V/200V OUT=24V	80VA	1	YE70023005200																																																								
10	X1	Wiring terminal	HONEYWELL	SK2.5	2.5mm ²	11	YE60002503200																																																								
11		Wiring terminal	HONEYWELL	GK2.5PE	2.5PE	5	YE60002503400																																																								
12		Wiring terminal	HONEYWELL	SK2.5	2.5mm ²	2	YE60002503200	(2)																																																							
13		Wiring terminal	HONEYWELL	GK2.5PE	2.5PE	1	YE60002503400	(2)																																																							
14		Wiring terminal	HONEYWELL	SK2.5	2.5mm ²	4	YE60002503200	(3)																																																							
15		Wiring terminal	HONEYWELL	GK2.5PE	2.5PE	2	YE60002503400	(3)																																																							
16		Terminal fittings E/GK series	HONEYWELL	---	PCS	2	YE60000003900																																																								
17	X2 X3	Heavy duty connectors	HARTING	Han E-4F(female)	4P	2	YE68000401400																																																								
18	M	Blower	SHINI	RB-420	2HP 230V 50HZ	1	---	(1)																																																							
19	Y1-Y5	Solenoid vavle	AIRTAC	---	24VAC	5	---	(1)																																																							
20	S2 S3	Photosensor switch	FOTEK	MT-4MNO-30VDC	10...30VDC	2	---	(1) SVH																																																							
21		Magnetic reed switch	SONON	BN12-30BLA	24VDC	2	---	(1) SMH																																																							
机型版本 Ver.A Notes: (1) Materials not in the control box; (2) Host unit purging; (3) Optional hopper purging valve;																																																															
<table border="1" style="width:100%; border-collapse: collapse;"> <tr> <td colspan="2">Title</td> <td colspan="2">Drawing No.</td> <td colspan="2">Scale</td> <td colspan="2">Page</td> </tr> <tr> <td colspan="2">SAL-920G</td> <td colspan="2">SAL-920G-CE-230V-0-4</td> <td colspan="2">CE</td> <td colspan="2">4</td> </tr> <tr> <td colspan="2">Elec. Parts List 1</td> <td colspan="2"></td> <td colspan="2">Standard</td> <td colspan="2">Totally 4</td> </tr> <tr> <td colspan="2"></td> <td colspan="2"></td> <td colspan="2">Voltage</td> <td colspan="2">3φ400V</td> </tr> <tr> <td colspan="2"></td> <td colspan="2"></td> <td colspan="2">Frequency</td> <td colspan="2">50HZ</td> </tr> </table>																Title		Drawing No.		Scale		Page		SAL-920G		SAL-920G-CE-230V-0-4		CE		4		Elec. Parts List 1				Standard		Totally 4						Voltage		3φ400V						Frequency		50HZ									
Title		Drawing No.		Scale		Page																																																									
SAL-920G		SAL-920G-CE-230V-0-4		CE		4																																																									
Elec. Parts List 1				Standard		Totally 4																																																									
				Voltage		3φ400V																																																									
				Frequency		50HZ																																																									
<table border="1" style="width:100%; border-collapse: collapse;"> <tr> <td colspan="2">Version</td> <td colspan="2">Approved by</td> <td colspan="2">Date</td> <td colspan="2">Page</td> </tr> <tr> <td colspan="2">0</td> <td colspan="2"></td> <td colspan="2">20200914</td> <td colspan="2">4</td> </tr> <tr> <td colspan="2">Drawer</td> <td colspan="2">Designer</td> <td colspan="2">Checked by</td> <td colspan="2">Mark</td> </tr> <tr> <td colspan="2"></td> <td colspan="2"></td> <td colspan="2"></td> <td colspan="2"></td> </tr> <tr> <td colspan="2">After modification</td> <td colspan="2">Modified by</td> <td colspan="2">Modify date</td> <td colspan="2">Before modification</td> </tr> <tr> <td colspan="2"></td> <td colspan="2"></td> <td colspan="2"></td> <td colspan="2"></td> </tr> </table>																Version		Approved by		Date		Page		0				20200914		4		Drawer		Designer		Checked by		Mark										After modification		Modified by		Modify date		Before modification									
Version		Approved by		Date		Page																																																									
0				20200914		4																																																									
Drawer		Designer		Checked by		Mark																																																									
After modification		Modified by		Modify date		Before modification																																																									
<table border="1" style="width:100%; border-collapse: collapse;"> <tr> <td colspan="2">SHINI</td> <td colspan="2">信易電熱機械股份有限公司</td> <td colspan="2">Shini Plastics Technologies, Inc.</td> <td colspan="2">8</td> </tr> </table>																SHINI		信易電熱機械股份有限公司		Shini Plastics Technologies, Inc.		8																																									
SHINI		信易電熱機械股份有限公司		Shini Plastics Technologies, Inc.		8																																																									