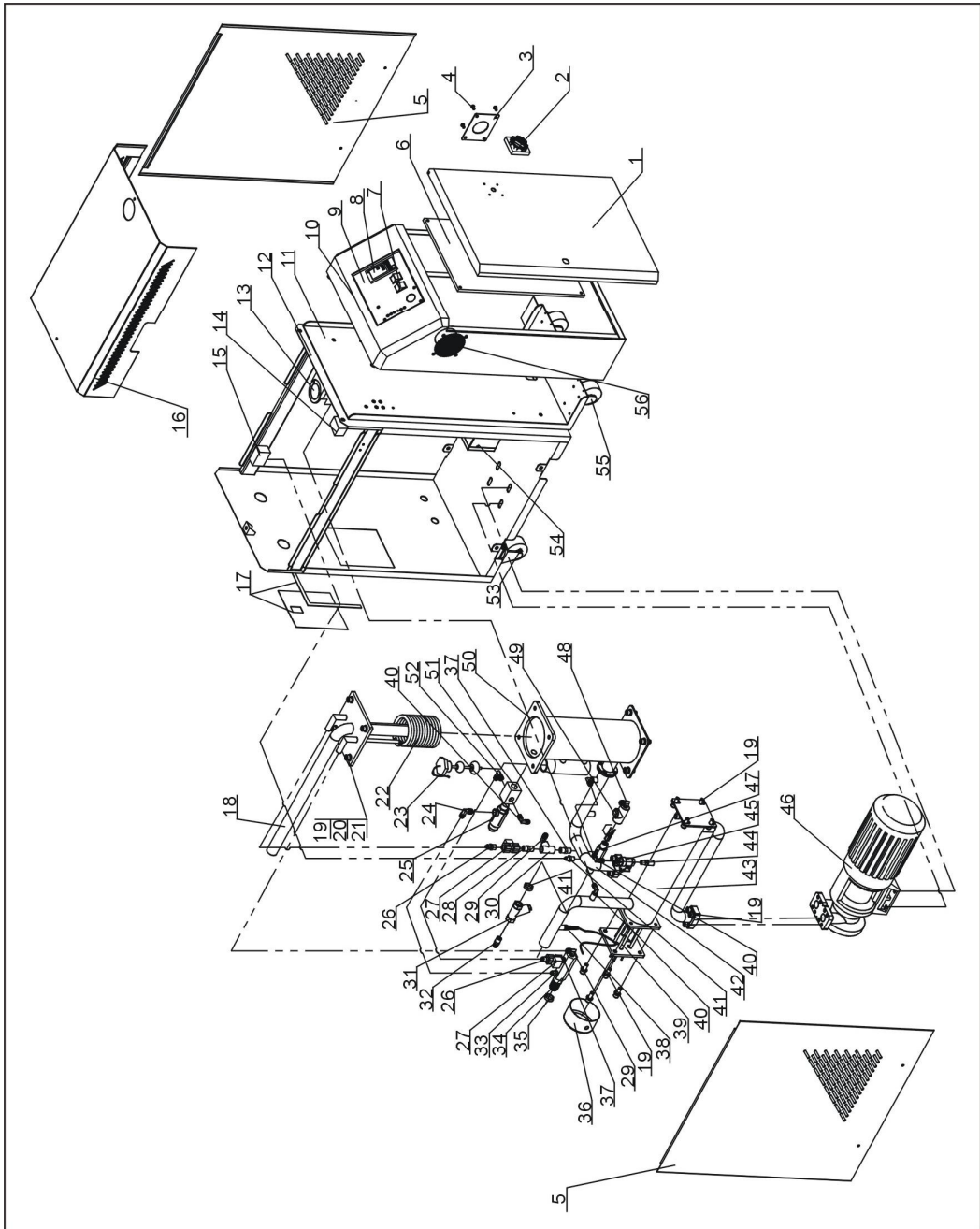


## 2.2 Assembly Drawing

### 2.2.1 Assembly Drawing (STM-940-HPW)



Remarks: Please refer to material list 2.2.2 for specific explanation of the Arabic numbers in parts drawing.

Picture 2-2: Assembly Drawing (STM-940-HPW)

## 2.2.2 Parts List (STM-940-HPW)

Table 2-4: Parts List (STM-940-HPW)

No.	Name	Part No.	No.	Name	Part No.
1	Door plate	-	26	Copper Teflon pipe male elbow 3/8PT×3/8HL	BH12030800610
2	Main power switch*	YE10200300000	27	Solemoid valve *3/8"	YE32331000000
3	Fixed plate of cable clamp	-	28	Copper pipe coupler 3/8PT×3/8PT	BH12030800110
4	Screw M6	YW62061000000	29	Copper Teflon pipe contactor 3/8PT×3/8HL	YW04030800300
5	Side plate	-	30	Stainless steel T-joint 3/8"	YW52030800000
6	Control cabinet base plate	-	31	Y -type filter 1/2PT	YW57010200000
7	Rocker switch	YE10210400000	32	Copper inserted core	BH12131200010
8	Temperature controller	YE85005000000	33	Copper Teflon pipe contactor 1/4PT×3/8H	BH12010400510
9	Control panel	-	34	Copper contactor unit 8	BH12060704810
10	Electric cabinet	-	35	General copper contactor for unit fron 1 to 4.	-
11	Rear plate of electric cabinet	-	36	Pipe shield	BL80091000120
12	Rack	-	37	Copper pipe coupler 1/4PT×3/8PT	BH12010400310
13	Pressure guage 0~15kG	YW85015000000	38	Thermocouple	BE90342500050
14	High pressure switch controller	YE90002000000	39	Heater 9kW	BH70091000150
15	Low pressure switch controller	YE90000800000	40	Copper Teflon pipe contactor 1/4PT×1/4HL	YW04010400400
16	Cover plate	-	41	Copper Teflon pipe contactor 1/4PT×1/4H	BH12010400410
17	Cover plate and supporting plate of rear plate	-	42	Pump inlet	-
18	Cooling tank cover	-	43	Heating tank	-
19	M10×25 socket haed cap screw	YW61102500000	44	Copper pipe coupler 1/4PT×1/4PT	BH12010400110
20	Flat washer 10×25	YW66102500000	45	Bufferfly damper 1/4"	YW50220000000
21	Spring washer 10	YW65010000000	46	Magnetic pump MP-280	BM20283300050
22	Cooling pipe	-	47	Copper contactor unit 7	BH12091000010
23	Electrical floating ball	YE13001500000	48	Copper Teflon pipe contactor 1/2PT×3/8HL	YW04010200200
24	Copper Teflon pipe contactor 1/2PT×3/8HL	YW04010200200	49	Non-return valve 1/2"	YW59010200100
25	Safety valve14kg open	-	50	Cooling tank	-

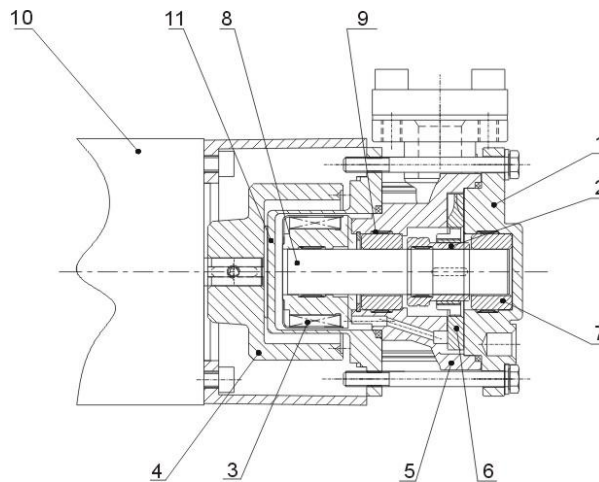
No.	Name	Part No.	No.	Name	Part No.
51	Safety valve contactor	BH13060702110	54	EGO units	BH90115000050
52	Copper Teflon pipe contactor 1/4PT×3/8HL	BH12010400510	55	Braking caster	YW03000300000
53	Movable caster	YW03000300200	56	Exhaust fan+air mesh	YM60922500100

\* means possible broken parts.

\*\* means easy broken part. and spare backup is suggested.

Please confirm the version of manual before placing the purchase order to guarantee that the item number of the spare part is in accordance with the real object.

### 2.2.3 Pump



Names of Parts:

- |                               |                  |                           |
|-------------------------------|------------------|---------------------------|
| 1. Pump cover                 | 2. Shaft sleeve  | 3. Inner magnetic coupler |
| 4. Out magnetic coupler       | 5. Pump body     | 6. Paddle wheel           |
| 7. Carbonated silicon bearing | 8. Ceramic stick |                           |
| 9. Lockup parts               | 10. Motor        | 11. Magnetic cover        |

Picture 2-3: Pump