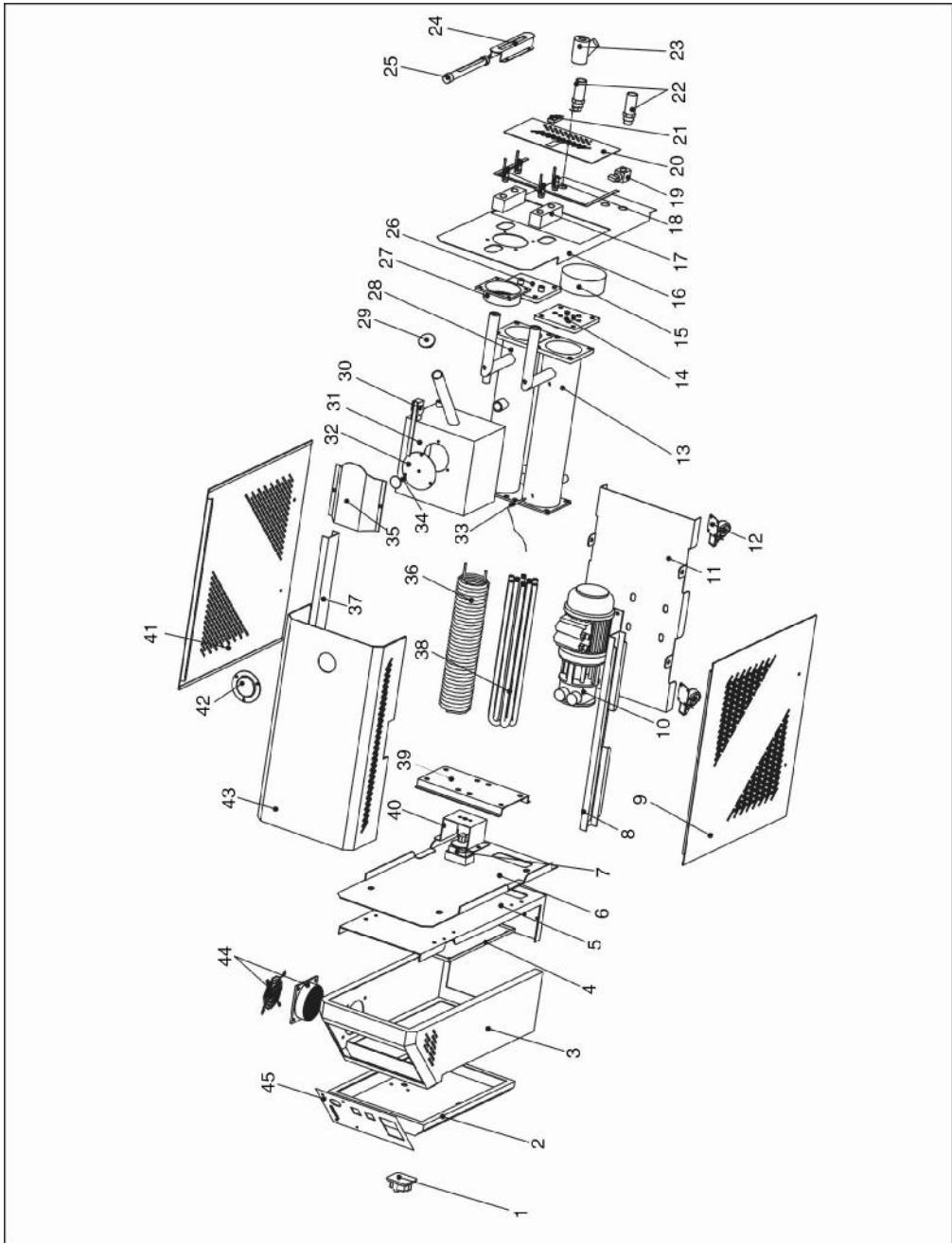


2.2 Assembly Drawing

2.2.1 Assembly Drawing (STM-907/1215-HT)



Remarks: Please refer to material list 2.2.2 for specific explanation of the Arabic numbers in parts drawing.

Picture 2-2: Assembly Drawing (STM-907/1215-HT)

2.2.2 Parts List (STM-907/1215-HT)

Table 2-1: Parts List (STM-907-HT)

No.	Name	Part No.	No.	Name	Part No.
1	Main switch*	YE10210300000	24	Level indicator cover	-
2	Door plate	BL43090700321	25	Level indicator	BE90100000150
3	Control box	BL43090701221	26	Cooling tank flange	BL43090700421
4	Electrical components board	BL43090701520	27	Cooling fan + guard*	YM60423000000
5	Control box rear plate	BL43090701420	28	Cooling tank	BL43090700521
6	Middle plate	BL43090700920	29	Oil pipe cap	BH12030403040
7	EGO*	YE85540000000	30	Microswitch	YE14152400000
8	Right beam	BL43090700820	31	Oil tank	BL43090700821
9	Right side plate	BL43090701920	32	Floating ball chamber cover	BL43090701320
10	Pump*	YM20225100000	33	Thermocouple	BE90100000150
11	Bottom plate	BL43090701820	34	Floating ball	YW09703600000
12	Castor	YW03002500000	35	Alternative switch cover	-
13	Heating tank	BL43090700621	36	Cooling pipes	-
14	Heating tank flange	-	37	Left beam	BL43090700820
15	Pipe heater cover	BL80091000120	38	Pipe heater*	BH70090700050
16	Rear plate	BL43090700720	39	Heating tank mounting plate	-
17	Water flow distributor	-	40	EGO mounting plate	BL42060700120
18	Ball valve*	YW50030800200	41	Left side plate	BL43090701920
19	Solenoid valve*	YE32209000000	42	Pressure meter*	YW85001000100
20	Rear cover	-	43	Top cover	-
21	Butterfly screw M6×15	YW69061500000	44	Cooling fan + fan guard*	YM60922500100
22	Copper joint	BH12131200010	45	Manufacturer's plate	YR01004000000
23	Y type strainer*	YW57010200000			

* means possible broken parts.

** means easy broken part. and spare backup is suggested.

Please confirm the version of manual before placing the purchase order to guarantee that the item number of the spare part is in accordance with the real object.

Table 2-2: Parts List (STM-1215-HT)

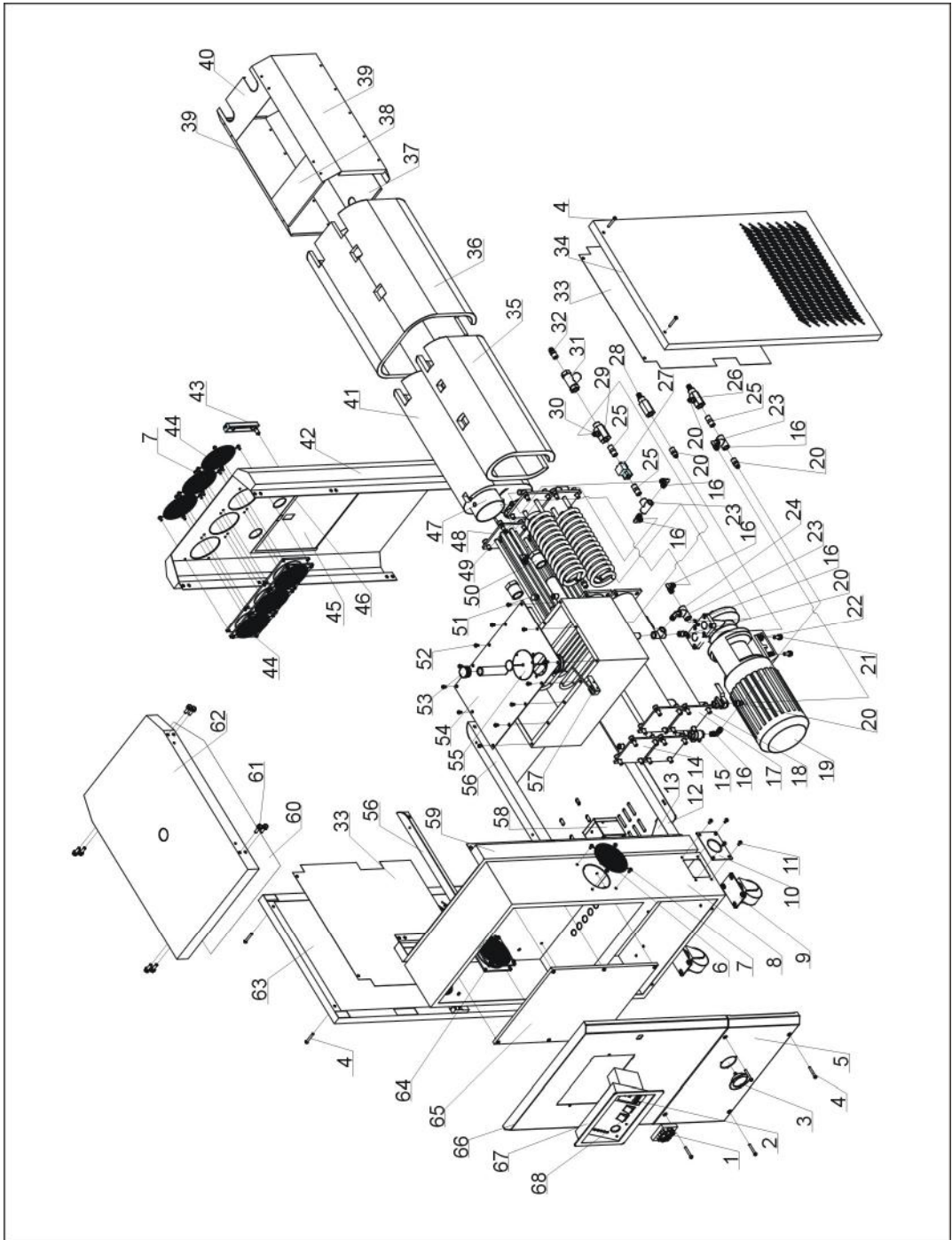
No.	Name	Part No.	No.	Name	Part No.
1	Main switch*	YE10210300000	24	Level indicator cover	-
2	Door plate	BL43121500520	25	Level indicator	BE90100000150
3	Control box	BL43121500821	26	Cooling tank flange	BL43121502020
4	Electrical components board	BL43121501520	27	Cooling fan + guard*	YM60423000000
5	Control box rear plate	BL43121501620	28	Cooling tank	BL43121500121
6	Middle plate	BL43121501120	29	Oil pipe cap	BH12030403040
7	EGO*	YE85540000000	30	Microswitch	YE14152400000
8	Right beam	-	31	Oil tank	BL43121500521
9	Right side plate	BL43121500120	32	Floating ball chamber cover	BL43121502920
10	Pump*	YM20428100000	33	Thermocouple	BE90100000050
11	Bottom plate	BL43121501720	34	Floating ball	YW09703600000
12	Castor	YW03002500000	35	Alternative switch cover	BL43121500420
13	Heating tank	BL43121500321	36	Cooling pipes	BL43121500221
14	Heating tank flange	-	37	Left beam	-
15	Pipe heater cover	BL80121500020	38	Pipe heater*	BH70121500050
16	Rear plate	BL43121501020	39	Heating tank mounting plate	-
17	Water flow distributor	-	40	EGO mounting plate	BL42060700120
18	Ball valve*	YW50030800200	41	Left side plate	BL43121500120
19	Solenoid valve*	YE32209000000	42	Pressure meter*	YW85001000100
20	Rear cover	-	43	Top cover	-
21	Butterfly screw M6×15	YW69061500000	44	Cooling fan + fan guard*	YM60922500100
22	Copper joint	BH12131200010	45	Manufacturer's plate	YR01004000000
23	Y type strainer*	YW57010200000			

* means possible broken parts.

** means easy broken part. and spare backup is suggested.

Please confirm the version of manual before placing the purchase order to guarantee that the item number of the spare part is in accordance with the real object.

2.2.3 Assembly Drawing (STM-2440-HT)



Remarks: Please refer to material list 2.2.4 for specific explanation of the Arabic numbers in parts drawing.

Picture 2-3: Assembly Drawing (STM-2440-HT)

2.2.4 Parts List (STM-2440-HT)

Table 2-3: Parts List (STM-2440)

No.	Name	Part No.	No.	Name	Part No.
1	Main power switch	YE10250400000	27	3/8" solenoid valve	YE32215400000
2	Temperature controller	YE85005000000	28	Copper connection 2	-
3	Pressure gauge	YW85001000100	29	Copper connection 4	BH12060702110
4	M4×6 thick-headed screw	YW63064500000	30	Teflon pipe connection 1/4pt×3/8h	BH12010400510
5	Panel	-	31	Y type filter	YW57010200000
6	Fan	-	32	Copper insert m13×1/2pt	BH12131200010
7	M5×10 screw	YW62051000100	33	Side plate clapboard	-
8	Control box	BL43244001521	34	Right side plate	BL43244002420
9	Movable castor	YW03000300000	35	Cooling tank heat-resistant asbestos	-
10	Fixed board	-	36	Cooling tank heat-resistant asbestos 2	-
11	M6×10 screw	YW62061000000	37	Heating tank encircle board 5	-
12	Bottom plate	BL43244002320	38	Heating tank encircle board 2	-
13	Bracket	-	39	Heating tank encircle board 3	-
14	Heating tank	BL43244000921	40	Heating tank encircle board 1	-
15	3/8" float ball (heating insulation 300℃)	YW50030800200	41	Cooling tank heat-resistant asbestos	-
16	Teflon pipe connection 3/8pt×3/8h I type	YW04030800300	42	Rear plate	BL43244001220
17	Cooling tank auxiliary oil tank	BL43244000321	43	Liquid level indicator	BH12030000010
18	M10×25 inner hexagon screw	YW61102500000	44	Fan	YM60423000000
19	Magnetic drive pump	YM20609100300	45	Mini cover board of backboard	BL43244001120
20	Teflon pipe connection 8/3pt×3/8h I type	BH12030800610	46	Mini cover board of backboard bracket	BL43244001120
21	External hexagonal screw m10×35	YW60103500000	47	Pipe heater cover	BL80091000120
22	M10 external hexagonal screw	YW64001000100	48	Heating pipe	BH70244000250
23	3/8" stainless steel three way	YW52030800000	49	Cooling pipe	-
24	Pipe coupler 3/8pt×3/8pt I type	YW04030800100	50	Water flow regulator connector	-
25	Pipe coupler 3/8pt×3/8pt	BH12030800110	51	Screw 1/4pt	BH12010400710
26	Connector	-	52	Flat head screw M6×15	YW62061500000

No.	Name	Part No.	No.	Name	Part No.
53	Oil cap 3/4pt	BH12030403040	61	External hexagonal screw M8×20	YW60082000300
54	Oil tank cover board	BL43244002520	62	Top plate	-
55	Float ball	BL43244001221	63	Left side plate	BL43244002420
56	Support beam	-	64	Ventilation fan + fan guard	YM60922500100
57	Microswitch	YE14152400000	65	Electrical control box base	BL43244002120
58	Ego protection box	YR40000400300	66	Panel	-
59	Front panel	-	67	Operation panel	YR40009500000
60	Top plate heat-resistant board	-	68	Full form switch	YE10210400000

* means possible broken parts.

** means easy broken part. and spare backup is suggested.

Please confirm the version of manual before placing the purchase order to guarantee that the item number of the spare part is in accordance with the real object.