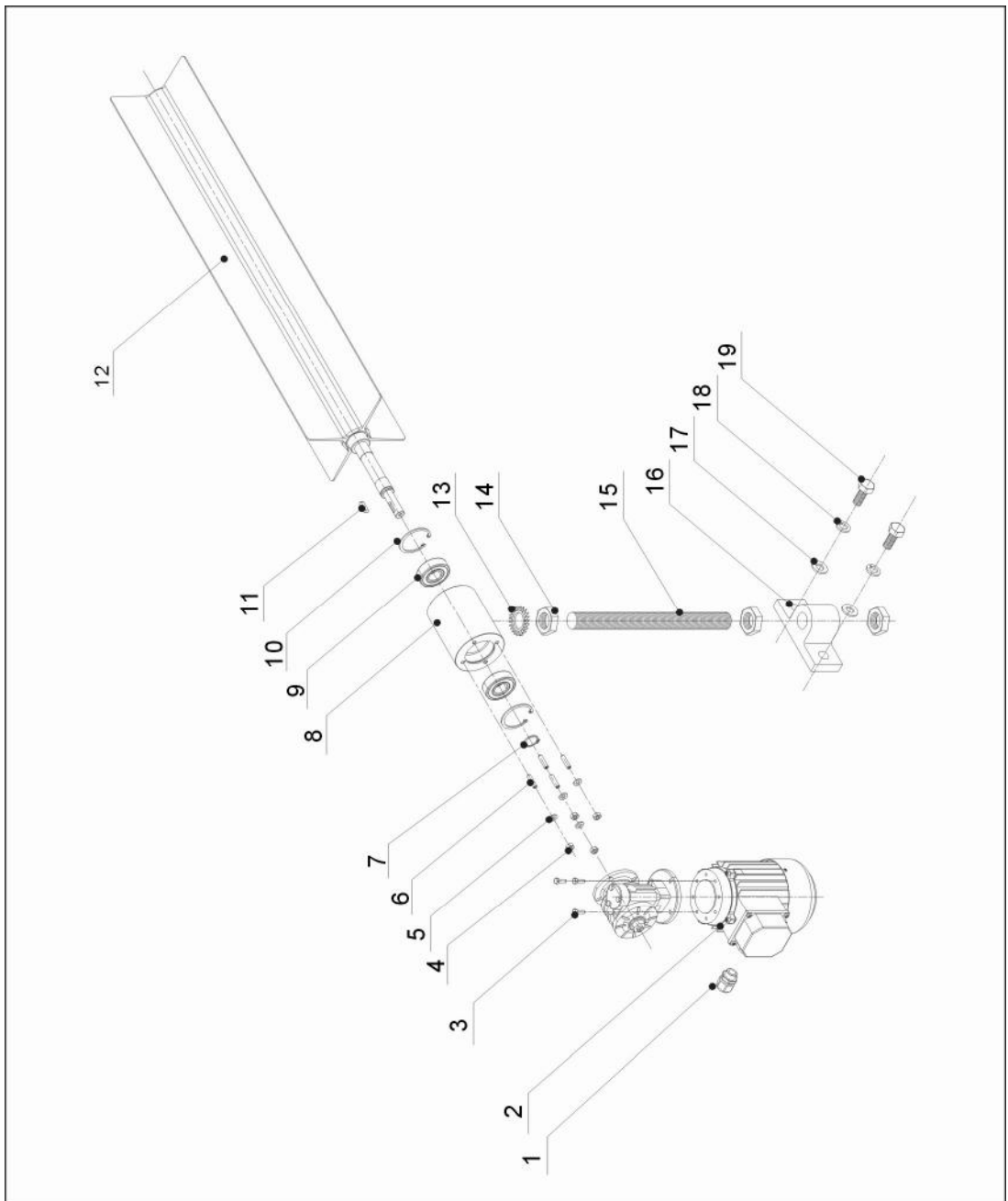


2.2 Assembly Drawing

2.2.1 Spare Parts Drawing



Note: Please refer to 2.2.2 material list about the parts code.

Picture 2-3: Spare Parts Drawing

2.2.2 Spare Parts List

Table 2-1: Spare Parts List

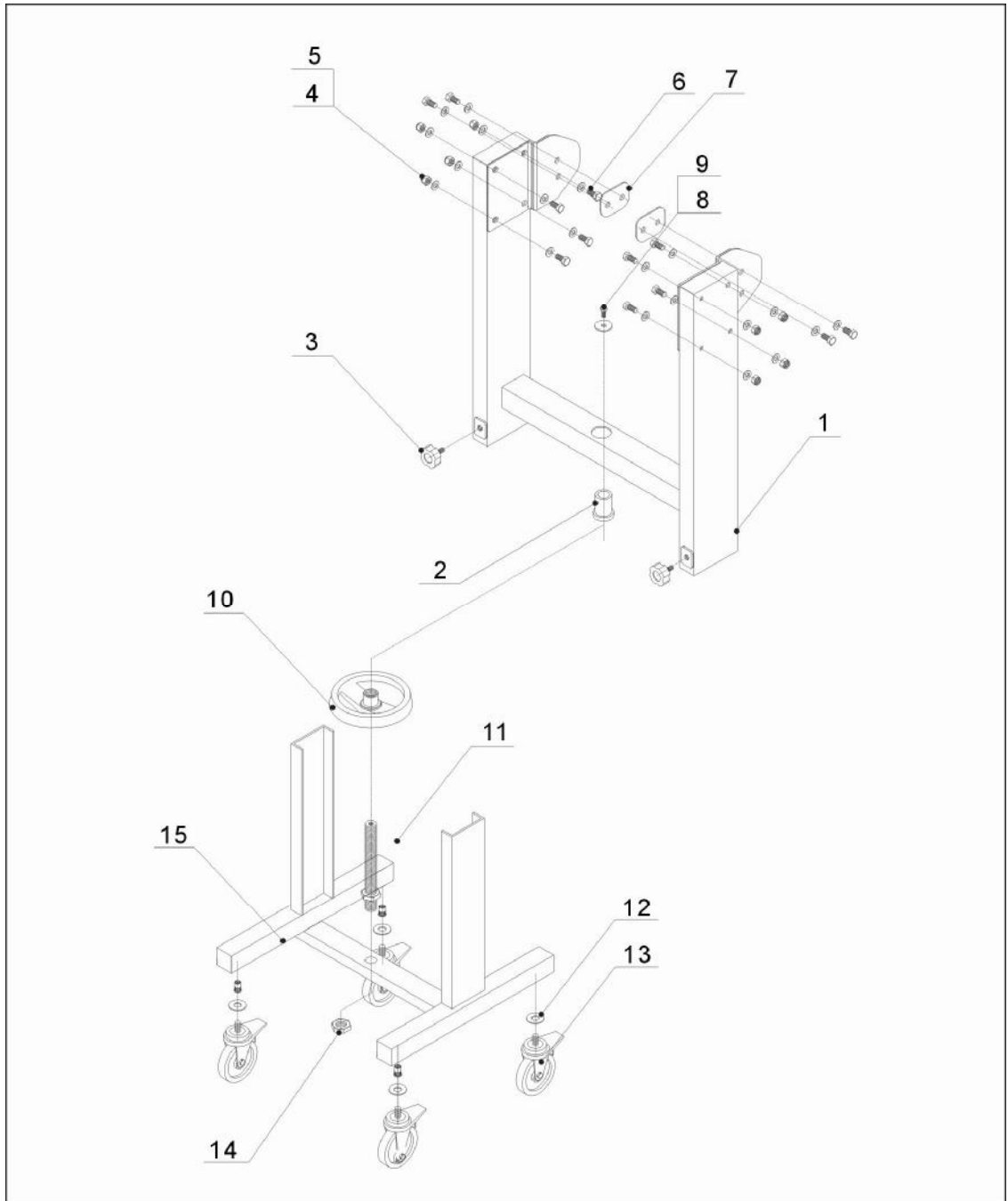
No.	Name	P/N
1	Cable terminal PG16	YE67001600000
2	Gearmotor NMRV25-20-Y0.09	YM50252000000
3	External hexagonal screw M5×14	YW60051500000
4	Screw nut M6-6S	YW64000600100
5	Flat gasket 6.4×12.5	YW66061200000
6	Inner hexagonal screw	YW61062500000
7	Spring gasket of the axis	YW69002200000
8	Bearing block	YW11020500200
9	Bearing 6204 ZZC3 NTN	YW11620400000
10	Spring gasket of the hole	YW69002200100
11	Key 5×5×20	YW69442000000
12	Assembly drawing of the separating axis	-
13	Lockup screw of the external sawtooth	-
14	Screw nut M20	YW64200100000
15	Adjustable screw M20×220	-
16	Separator base	BH10120800110
17	Flat gasket 12×24	YW66051300000
18	Spring gasket 12	YW65022000000
19	External hexagonal screw M12×25	YW60122500000

* means possible broken parts.

** means easy broken part. and spare backup is suggested.

Please confirm the version of manual before placing the purchase order to guarantee that the item number of the spare part is in accordance with the real object.

2.2.3 Base Parts Drawing



Note: Please refer to 2.2.4 material list about the parts code.

Picture 2-3: Base Parts Drawing

2.2.4 Base Parts List

Table 2-2: Base Parts List

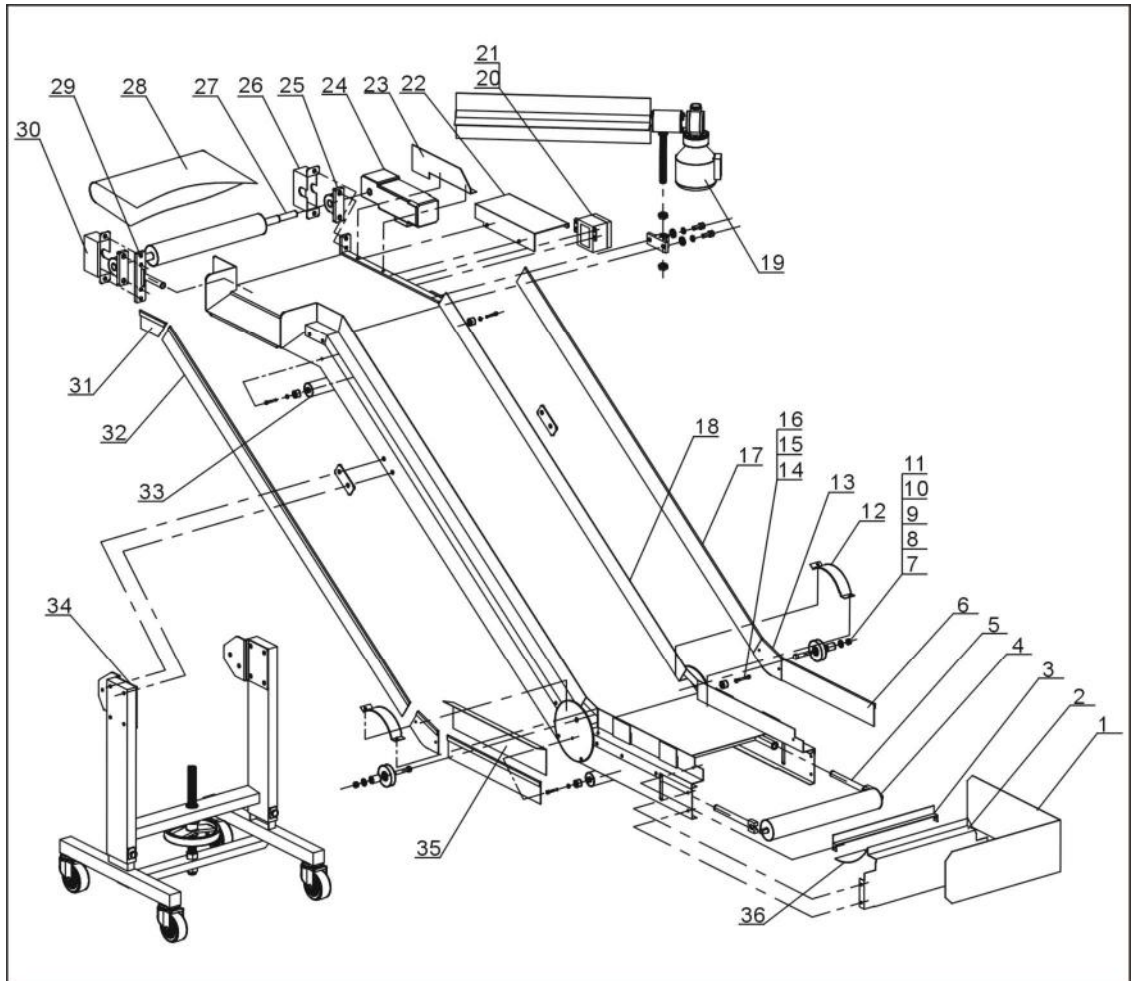
No.	Name	P/N
1	Lifter	BH10110100010
2	Adjustable sleeve	BH10120300010
3	Hexagon screw	YW09101500100
4	Washer	YW66051300000
5	External hexagonal nut M10	YW64012100000
6	External hexagonal screw	YW60086000000
7	Adjust block	BH10121300040
8	Adjustable bolt	-
9	Main screw shim	YW66164000000
10	Driving wheel M27	YW09002700000
11	Main Screw M27	BH10120900040
12	Washer	YW66123200100
13	Castor	YW03010000000
14	External hexagonal nut M27	YW64002700000
15	Base	-

* means possible broken parts.

** means easy broken part. and spare backup is suggested.

Please confirm the version of manual before placing the purchase order to guarantee that the item number of the spare part is in accordance with the real object.

2.2.5 Spare Parts Drawing



Note: Please refer to 2.2.6 material list about the parts code.

Picture 2-3: Spare Parts Drawing

2.2.6 Parts List

Table 2-3: Parts List CBD-7

No.	Name	P/N	No.	Name	P/N
1	Reverse Flap	-	19	Separator parts list drawing	-
2	Front board	-	20	Electrical control box	-
3	Front top board	-	21	Electrical control box cover	-
4	Conveying rotor (without power)	-	22	Switch protector board	-
5	Butterfly screw	BH10123500040	23	Back right board	-
6	Front encircle board	-	24	Gear motor *	YM50102000000
7	Lock nut	YW64001200000	25	Bearing blockUCP205D1	YW11020500200
8	Flat washer (12×12)	YW66051300000	26	Right underside cover	-
9	Sleeve for press out wheel	BH10120500010	27	Conveying rotor	YW08100600000
10	Impaction roller assembly drawing	YW08120100000	28	Conveyor belt	YR00070300000-
11	External hexagonal screw	-	29	Left revolving axis support	-
12	Pinch roller cover	-	30	Left below side cover board	-
13	Middle encircle board	-	31	Back left board	-
14	Inner hexagonal screw (M12×60)	YW61065000000	32	Left middle board	-
15	Flat washer (6×12)	YW66061200000	33	Iron stick	YW08100800000
16	Small sleeve	BH10123600010	34	Base parts list	-
17	Right middle board	-	35	Feed-in board	-
18	Conveyor belt welding drawing	-	36	Baffle plate	-

* means possible broken parts.

** means easy broken part. and spare backup is suggested.

Please confirm the version of manual before placing the purchase order to guarantee that the item number of the spare part is in accordance with the real object.

Table 2-4: Parts List CBD-8

No.	Name	P/N	No.	Name	P/N
1	Reverse Flap	-	19	Separator parts list drawing	-
2	Front board	-	20	Electrical control box	-
3	Front top board	-	21	Electrical control box cover	-
4	Conveying rotor (without power)	YW08100700000	22	Switch protector board	-
5	Butterfly screw	BH10123500040	23	Back right board	-
6	Front encircle board	-	24	Gear motor *	YM50102000000
7	Lock nut	YW64001200000	25	Bearing blockUCP205D1	YW11020500200
8	Flat washer (12×12)	YW66051300000	26	Right underside cover	-
9	Sleeve for press out wheel	BH10120500010	27	Conveying rotor	YW08110600000
10	Impaction roller assembly drawing	YW08120100000	28	Conveyor belt	YR00080300000
11	External hexagonal screw	-	29	Left revolving axis support	-
12	Pinch roller cover	-	30	Left below side cover board	-
13	Middle encircle board	-	31	Back left board	-
14	Inner hexagonal screw (M12×60)	YW61065000000	32	Left middle board	-
15	Flat washer (6×12)	YW66061200000	33	Iron stick	YW08110800000
16	Small sleeve	BH10123600010	34	Base parts list	-
17	Right middle board	-	35	Feed-in board	-
18	Conveyor belt welding drawing	-	36	Baffle plate	-

* means possible broken parts.

** means easy broken part. and spare backup is suggested.

Please confirm the version of manual before placing the purchase order to guarantee that the item number of the spare part is in accordance with the real object.

Table 2-5: Parts List CBD-9

No.	Name	P/N	No.	Name	P/N
1	Reverse Flap	-	19	Separator parts list drawing	-
2	Front board	-	20	Electrical control box	-
3	Front top board	-	21	Electrical control box cover	-
4	Conveying rotor (without power)	YW08100700000	22	Switch protector board	-
5	Butterfly screw	BH10123500040	23	Back right board	-
6	Front encircle board	-	24	Gear motor *	YM50102000000
7	Lock nut	YW64001200000	25	Bearing blockUCP205D1	YW11020500200
8	Flat washer (12×12)	YW66051300000	26	Right underside cover	-
9	Sleeve for press out wheel	BH10120500010	27	Conveying rotor	YW08100600000
10	Impaction roller assembly drawing	YW08120100000	28	Conveyor belt	YR00090700000
11	External hexagonal screw	-	29	Left revolving axis support	-
12	Pinch roller cover	-	30	Left below side cover board	-
13	Middle encircle board	-	31	Back left board	-
14	Inner hexagonal screw (M12×60)	YW61065000000	32	Left middle board	-
15	Flat washer (6×12)	YW66061200000	33	Iron stick	YW08100800000
16	Small sleeve	BH10123600010	34	Base parts list	-
17	Right middle board	-	35	Feed-in board	-
18	Conveyor belt welding drawing	-	36	Baffle plate	-

* means possible broken parts.

** means easy broken part. and spare backup is suggested.

Please confirm the version of manual before placing the purchase order to guarantee that the item number of the spare part is in accordance with the real object.

Table 2-6: Parts List CBD-10

No.	Name	P/N	No.	Name	P/N
1	Reverse Flap	-	19	Separator parts list drawing	-
2	Front board	-	20	Electrical control box	-
3	Front top board	-	21	Electrical control box cover	-
4	Conveying rotor (without power)	YW08100700000	22	Switch protector board	-
5	Butterfly screw	BH10123500040	23	Back right board	-
6	Front encircle board	-	24	Gear motor *	YM50102000000
7	Lock nut	YW64001200000	25	Bearing blockUCP205D1	YW11020500200
8	Flat washer (12×12)	YW66051300000	26	Right underside cover	-
9	Sleeve for press out wheel	BH10120500010	27	Conveying rotor	YW08100600000
10	Impaction roller assembly drawing	YW08120100000	28	Conveyor belt	YR00101200000
11	External hexagonal screw	-	29	Left revolving axis support	-
12	Pinch roller cover	-	30	Left below side cover board	-
13	Middle encircle board	-	31	Back left board	-
14	Inner hexagonal screw (M12×60)	YW61065000000	32	Left middle board	-
15	Flat washer (6×12)	YW66061200000	33	Iron stick	YW08100800000
16	Small sleeve	BH10123600010	34	Base parts list	-
17	Right middle board	-	35	Feed-in board	-
18	Conveyor belt welding drawing	-	36	Baffle plate	-

* means possible broken parts.

** means easy broken part. and spare backup is suggested.

Please confirm the version of manual before placing the purchase order to guarantee that the item number of the spare part is in accordance with the real object.

Table 2-7: Parts List CBD-11

No.	Name	P/N	No.	Name	P/N
1	Reverse Flap	-	19	Separator parts list drawing	-
2	Front board	-	20	Electrical control box	-
3	Front top board	-	21	Electrical control box cover	-
4	Conveying rotor (without power)	YW08110700000	22	Switch protector board	-
5	Butterfly screw	BH10123500040	23	Back right board	-
6	Front encircle board	-	24	Gear motor *	YM50102000000
7	Lock nut	YW64001200000	25	Bearing blockUCP205D1	YW11020500200
8	Flat washer (12×12)	YW66051300000	26	Right underside cover	-
9	Sleeve for press out wheel	BH10120500010	27	Conveying rotor	YW08110600000
10	Impaction roller assembly drawing	YW08120100000	28	Conveyor belt	YR00111200000
11	External hexagonal screw	-	29	Left revolving axis support	-
12	Pinch roller cover	-	30	Left below side cover board	-
13	Middle encircle board	-	31	Back left board	-
14	Inner hexagonal screw (M12×60)	YW61065000000	32	Left middle board	-
15	Flat washer (6×12)	YW66061200000	33	Iron stick	YW08110800000
16	Small sleeve	BH10123600010	34	Base parts list	-
17	Right middle board	-	35	Feed-in board	-
18	Conveyor belt welding drawing	-	36	Baffle plate	-

* means possible broken parts.

** means easy broken part. and spare backup is suggested.

Please confirm the version of manual before placing the purchase order to guarantee that the item number of the spare part is in accordance with the real object.

Table 2-8: Parts List CBD-12

No.	Name	P/N	No.	Name	P/N
1	Reverse Flap	-	19	Separator parts list drawing	-
2	Front board	-	20	Electrical control box	-
3	Front top board	-	21	Electrical control box cover	-
4	Conveying rotor (without power)	YW08100700000	22	Switch protector board	-
5	Butterfly screw	BH10123500040	23	Back right board	-
6	Front encircle board	-	24	Gear motor *	YM50102000000
7	Lock nut	YW64001200000	25	Bearing blockUCP205D1	YW11020500200
8	Flat washer (12×12)	YW66051300000	26	Right underside cover	-
9	Sleeve for press out wheel	BH10120500010	27	Conveying rotor	YW08100600000
10	Impaction roller assembly drawing	YW08120100000	28	Conveyor belt	YR00124700000
11	External hexagonal screw	-	29	Left revolving axis support	-
12	Pinch roller cover	-	30	Left below side cover board	-
13	Middle encircle board	-	31	Back left board	-
14	Inner hexagonal screw (M12×60)	YW61065000000	32	Left middle board	-
15	Flat washer (6×12)	YW66061200000	33	Iron stick	YW08100800000
16	Small sleeve	BH10123600010	34	Base parts list	-
17	Right middle board	-	35	Feed-in board	-
18	Conveyor belt welding drawing	-	36	Baffle plate	-

* means possible broken parts.

** means easy broken part. and spare backup is suggested.

Please confirm the version of manual before placing the purchase order to guarantee that the item number of the spare part is in accordance with the real object.