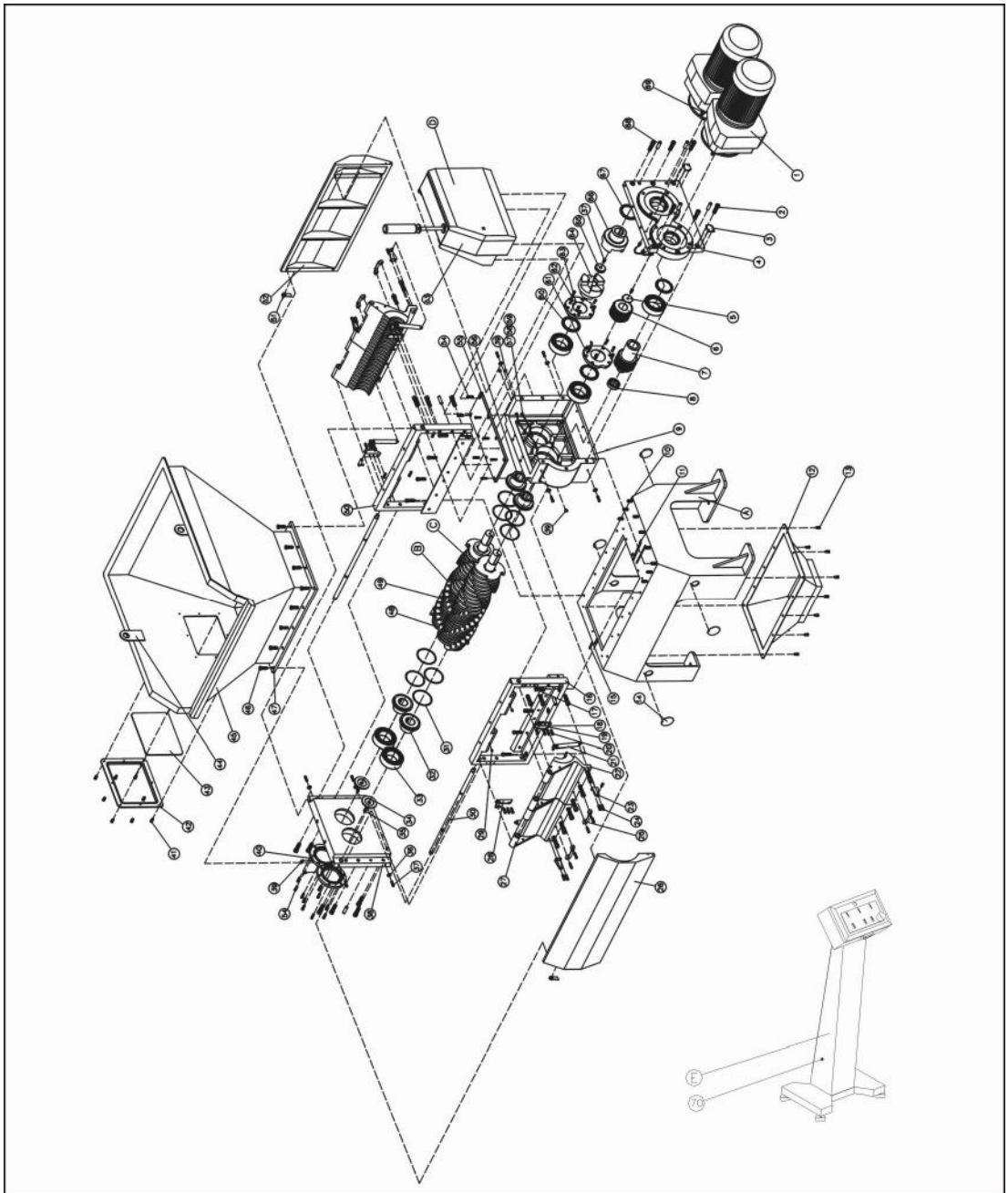


2.3 Assembly Drawing

2.3.1 Assembly Drawing



Note: Please refer to 2.3.2 material list about the parts code.

Picture 2-4: Assembly Drawing

2.3.2 Parts List

Table 2-1: Parts List

No.	Name	Part No.	
		SGS-6090D	SGS-60120D
1	Motor reducer	YM10107100000	YM10107100000
2	Internal hex bolts	YW61207000000	YW61207000000
3	Left packing board	-	-
4	Gear	BW30609000610	BW30609000610
5	Shaft end tight block	BH10609000210	BH10609000210
6	Bi serial cylindrical roller bearing	YW10609001200	YW10609001200
7	Lower packing board of gear box	YW10609000900	YW10609000900
8	Roller bearing NN3012NSK	YW11301200000	YW11301200000
9	Gear box	BW30609000310	BW30609000310
10	Inner hexagon cylindrical screw (M12 × 65)	YW61126500000	YW61126500000
11	Gear box positioning key	BH10609000510	BH10609000510
12	Front packing board	-	-
13	Inner hexagon cylindrical screw (M12 × 25)	YW61122500000	YW61122500000
14	Internal hex bolts (M16×50)	-	-
15	Internal barrier block (1)	BH10609000110	BH10609000110
16	Front frame	BW30609003010	BW30601205710
17	Hexagon screw bolt (M20 × 65)	YW61206500000	YW61206500000
18	Internal hex bolts (M20×70)	-	-
19	Locating pin	BH10609001710	BH10609001710
20	Inner hexagon cylindrical screw (M10 × 35)	YW61103500000	YW61103500000
21	Feed-seeing window pressure board	YW01080000000	YW01375300000
22	Keep-off comb	BW30609000410	BW30601200410
23	Lifting lug	BH10609001710	BH10609001710
24	Transparent feed-seeing window	YW61083500000	YW61083500000
25	Inner hexagon cylindrical screw (M8 × 35)	BW20012000040	BW20012000040
26	External hex bolts (M16×55)	-	-
27	Feed hopper connecting plate	BW30609000510	BW30601200510
28	Right bearing cover	BH10609002210	BH10609002210
29	Upper packing board of gear box	-	-
30	Internal hex bolts (M10×40)	BH10609002110	BH10601202110
31	D control cabinet components	-	-
32	Back protecting cap	BH10609000410	BH10609000410
33	Self-aligning roller bearing 23122CE4	YW11231200000	YW11231200000
34	Middle packing board	-	-
35	Left bearing cover	YW61205000000	YW61205000000

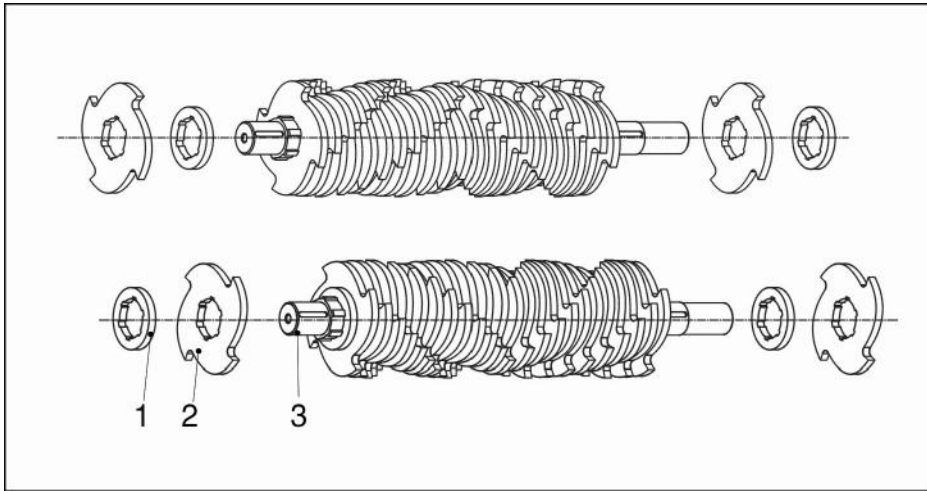
No.	Name	Part No.	
		SGS-6090D	SGS-60120D
36	Self-aligning roller bearing	BH10609002310	BH10609002310
37	Inner hexagon cylindrical screw (M12 × 45)	YW61124500000	YW61124500000
38	Left bearing cover (1)	BW30609000210	BW30609000210
39	Internal hex bolts (M10×45)	YW04010100000	YW04010100000
40	Rear bearing cover 2	BH10609001310	BH10609001310
41	Inner hexagon cylindrical screw (M8 × 20)	YW61082000000	YW61082000000
42	coupling of motor	BH14609000510	BH14609000510
43	Bead flange	BR90609000450	BR90609000450
44	External hex bolts (M16×50)	-	-
45	Rotary shaft lip seal	-	-
46	Hexagon screw bolt (M16 × 55)	YW60165500000	YW60165500000
47	C front blade components	BH10609001010	BH10601201010
48	Control stand	-	-
49	Copper elbow for lubrication	-	-
50	Straight-through joint for lubrication	-	-
51	Pin lock	YW00000600000	YW00000000100
52	M10 lubricating nipple	-	-
53	D control box components	-	-
54	Inner hexagon cylindrical screw (M10 × 50)	YW61105000000	YW61105000000
55	Upper cover plate of gear case	BH10609001910	BH10609001910
56	Right bearing sleeve	BH10609000410	BH10609000410
57	Lubrication straight-through joint	-	-
58	Lubrication copper pipe	-	-
59	Lubrication copper nut	-	-
60	Rotary shaft lip seal	YR20141200000	YR20141200000
61	Left bearing holder (1)	BH10609001410	BH10609001410
62	Left bearing holder (2)	BH10609003010	BH10609003010
63	Lubrication copper elbow	BH12609001810	BH12609001810
64	Main shaft coupling	BH10609002010	BH10609002010
65	Locking base plate at coupling end	BH10609000210	BH10609000210
66	Motor coupling	BH10609002010	BH10609002010
67	Rotary shaft lip seal	YR20141200000	YR20141200000
68	Locating pin	BH10609002410	BH10609002410
69	Hexagon screw bolt (M16 × 40)	YW60164000000	YW60164000000
70	E control stand	BH62609000050	-

* means possible broken parts.

** means easy broken part. and spare backup is suggested.

Please confirm the version of manual before placing the purchase order to guarantee that the item number of the spare part is in accordance with the real object.

2.3.3 Blades Assembly



Picture 2-5: Blades Assembly

2.3.4 Blades Assembly Parts List

Table 2-2: Blades Assembly Parts List

No.	Name	Part No./Quantity	
		SGS-6090D	SGS-60120D
1	Blade cover	YW43609000100 /2×15	YW43609000100 / 2×20
2	Blade	YW43609000000 /2×15	YW43609000000 /2×20
3	Bearing	BH10609002710 /2	BH10601202710 /2