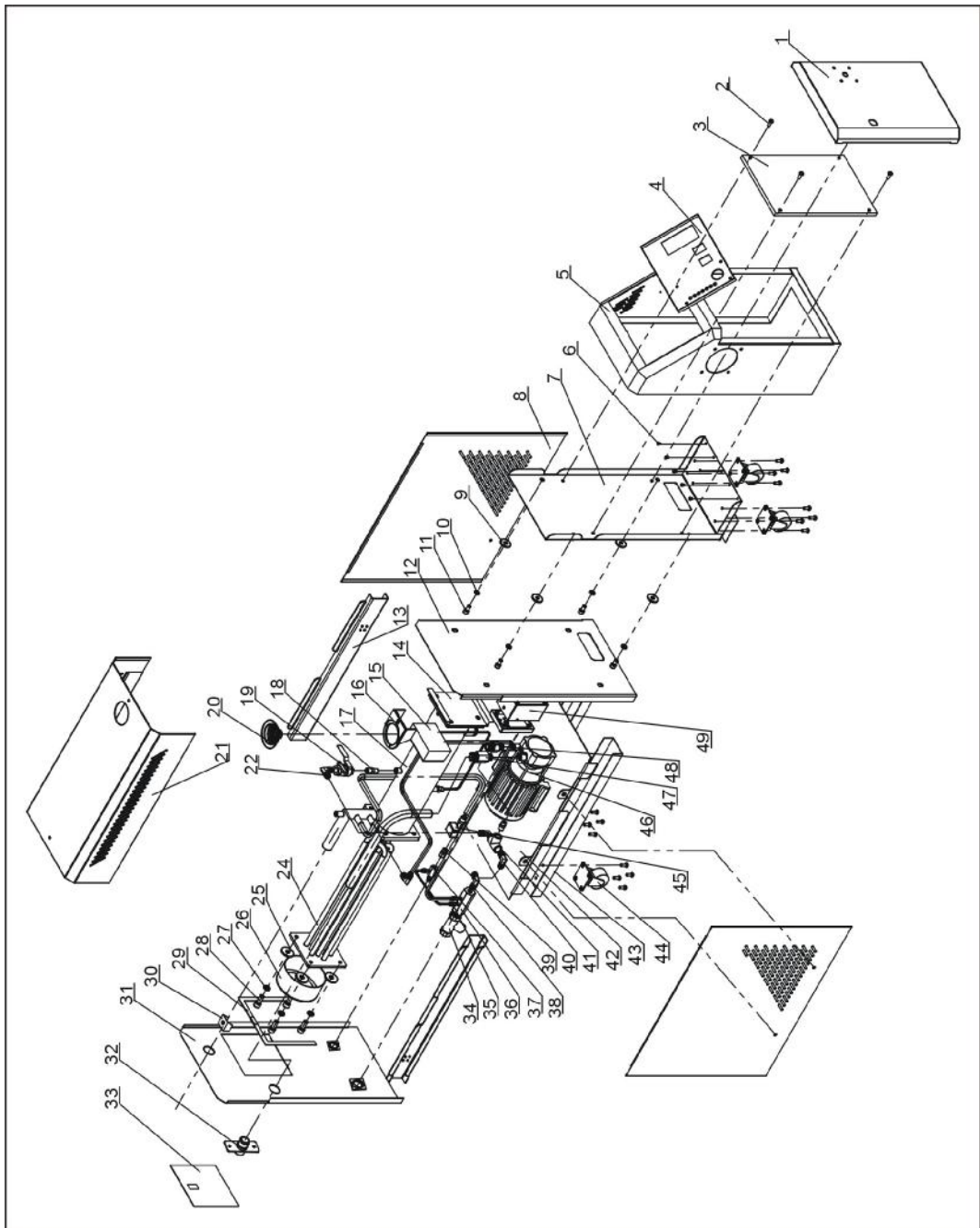


## 2.3 Assembly Drawing

### 2.3.1 Assembly Drawing (STM-607W)



Remarks: Please refer to material list 2.2.2 for specific explanation of the Arabic numbers in parts drawing.

Picture 2-2: Assembly Drawing (STM-607W)

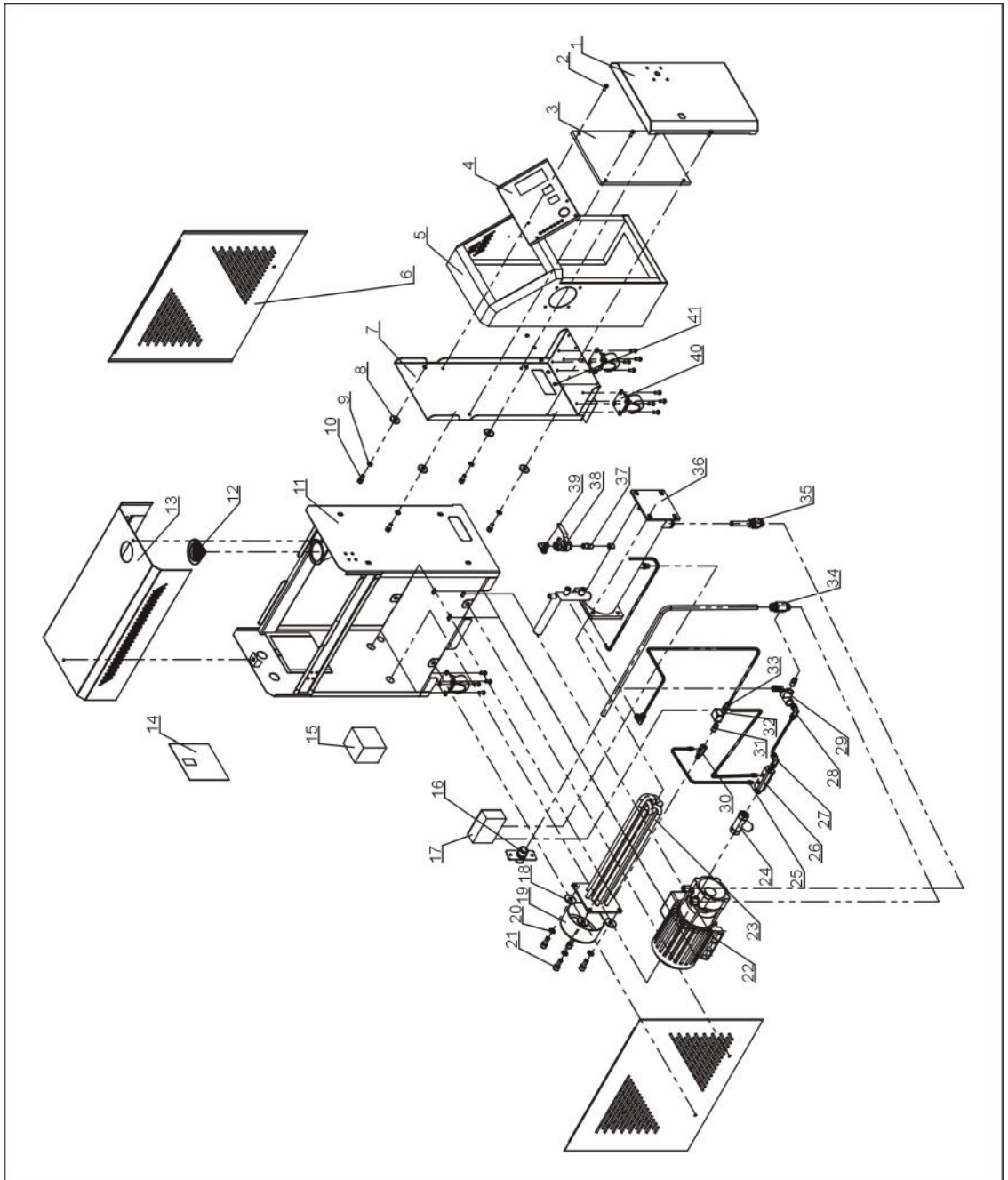
## 2.3.2 Parts List (STM-607W)

Table 2-1: Parts List (STM-607W)

No.	Name	Part No.	No.	Name	Part No.
1	Door plank	-	25	Flat washer 10	YW66102500000
2	Flat head screw M6×17	YW63061700000	26	Heater casing	BL80091000120
3	Base plate of the cabinet	-	27	Spring washer 10	YW65010000000
4	Operation panel	-	28	Hexagon socket head cap screws M10×20	YW61102500000
5	Electrical cabinet	-	29	Supporting plate of the cover plate on the back plate	-
6	Thick head screw M4×5	YW62040600000	30	Water flow regulator contactor	-
7	Back plate of the cabinet	-	31	Back plate	-
8	Side plate	-	32	Tip plate	-
9	Flat washer 8	YW66082200100	33	Cover plate on the back plate	-
10	Spring washer 8	YW65008000200	34	Filter valve	YW57010200000
11	Hexagon socket head cap screw M8×20	YW61082000200	35	Copper Teflon contactor 1/4PT×1/4H	BH12010400410
12	Clapboard	-	36	Copper contactor 1	-
13	Beam	-	37	Copper contactor 3	-
14	Supporting plate of the heating tank	-	38	Copper Teflon contactor 3/8PT×3/8H(L type)	BH12030800610
15	High and low pressure switch	YE90832500000	39	Copper pipe coupler 3/8"PT	BH12030800110
16	Supporting plate of pressure gauge	-	40	Copper teflon contactor 1/4PT×3/8H(L type)	BH12010400510
17	Heating tank	BL42120701420	41	1/4" stainless steel made T joint	YW52010400000
18	Pipe coupler 1/4"	BH12010400110	42	Base plate	-
19	Globe valve 1/4"	YY60001430000	43	Stiffener	-
20	Pressure gauge	YW85001000100	44	Caster 2"	YW03000200000
21	Cover plate	-	45	Solenoid valve	YE32331000000
22	Teflon contactor 1/4PT×1/4H(L type)	YW04010400400	46	Pump TP-55	BM20005500350
23	-	-	47	Copper Teflon contactor 3/4H×1/2PT×1/4 mesoporous	BH12030400810
24	Heater 6kW	BH70060700250			

\* means possible broken parts. \*\* means easy broken part. and spare backup is suggested. Please confirm the version of manual before placing the purchase order to guarantee that the item number of the spare part is in accordance with the real object.

### 2.3.3 Assembly Drawing (STM-910W)



Remarks: Please refer to material list 2.2.4 for specific explanation of the Arabic numbers in parts drawing.

Picture 2-3: Assembly Drawing (STM-910W)

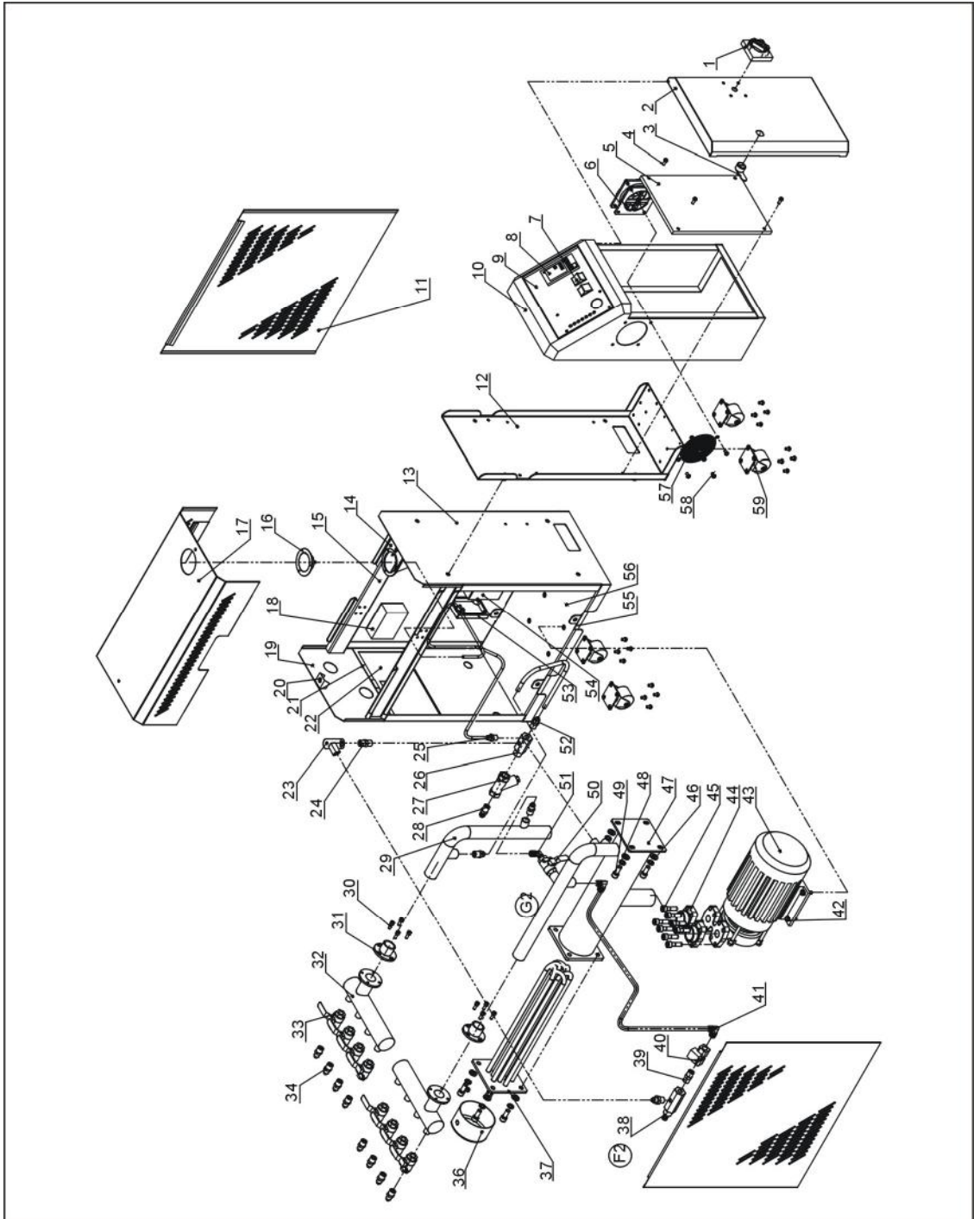
## 2.3.4 Parts List (STM-910W)

Table 2-2: Parts List (STM-910W)

No.	Name	Part No.	No.	Name	Part No.
1	Door plate	-	22	Pump TP-75	BM20007500150
2	Flat head screw M6×17	YW63061700000	23	Heater 9kW	BH70091000250
3	Base plate of the cabinet	-	24	Y type filter valve	YW57010200000
4	Operation panel	-	25	Copper Teflon contactor 1/4H×1/4PT	BH12010400410
5	Electrical cabinet	-	26	Copper contactor 1	-
6	Side plate	-	27	Copper Teflon contactor 3/8PT×3/8H(L type)	BH12030800610
7	Back plate of the electrical cabinet	-	28	Copper Teflon contactor 3/8PT×1/4H(L type)	BH12010400510
8	Flat washer 8	YW66082200100	29	1/4" stainless steel made T joint	YW52010400000
9	Spring washer 8	YW65008000200	30	Copper contactor 3	-
10	Hexgon socket head cap screw M8×20	YW61082000200	31	Copper pipe coupler 3/8"PT	BH12030800110
11	Rack assembly	-	32	Solenoid valve	YE32331000000
12	Pressure gauge	YW85001000100	33	Copper Teflon male elbow 3/8PT×3/8H	BH12030800610
13	Cover plate	-	34	Copper contactor (3/4PT×3/4H×1/4)	BH12030400610
14	Cover plate on the back plate	-	35	Copper Teflon contactor 3/4PT×3/4H	BH12030400310
15	EGO	YR40000400300	36	Heating tank	BL42120701320
16	Water flow regulator contactor	-	37	1/4" pipe coupler	BH12010400110
17	High and low pressure switch	YE90832500000	38	Globe valve 1/4"	YY60001430000
18	Flat washer 10	YW66102500000	39	Copper Teflon contactor 1/4H×1/4PT(L type)	YW04010400400
19	Heater casing	BL80091000120	40	Caster 2"	YW03000200000
20	Spring washer 10	YW65010000000	41	Thick head screw M4×5	YW62040600000
21	Hexgon socket head cap screw M10×20	YW61102500000			

\* means possible broken parts. \*\* means easy broken part. and spare backup is suggested. Please confirm the version of manual before placing the purchase order to guarantee that the item number of the spare part is in accordance with the real object.

### 2.3.5 Assembly Drawing (STM-1220W)



Remarks: Please refer to material list 2.2.6 for specific explanation of the Arabic numbers in parts drawing.

Picture 2-4: Assembly Drawing (STM-1220W)

## 2.3.6 Parts List (STM-1220W)

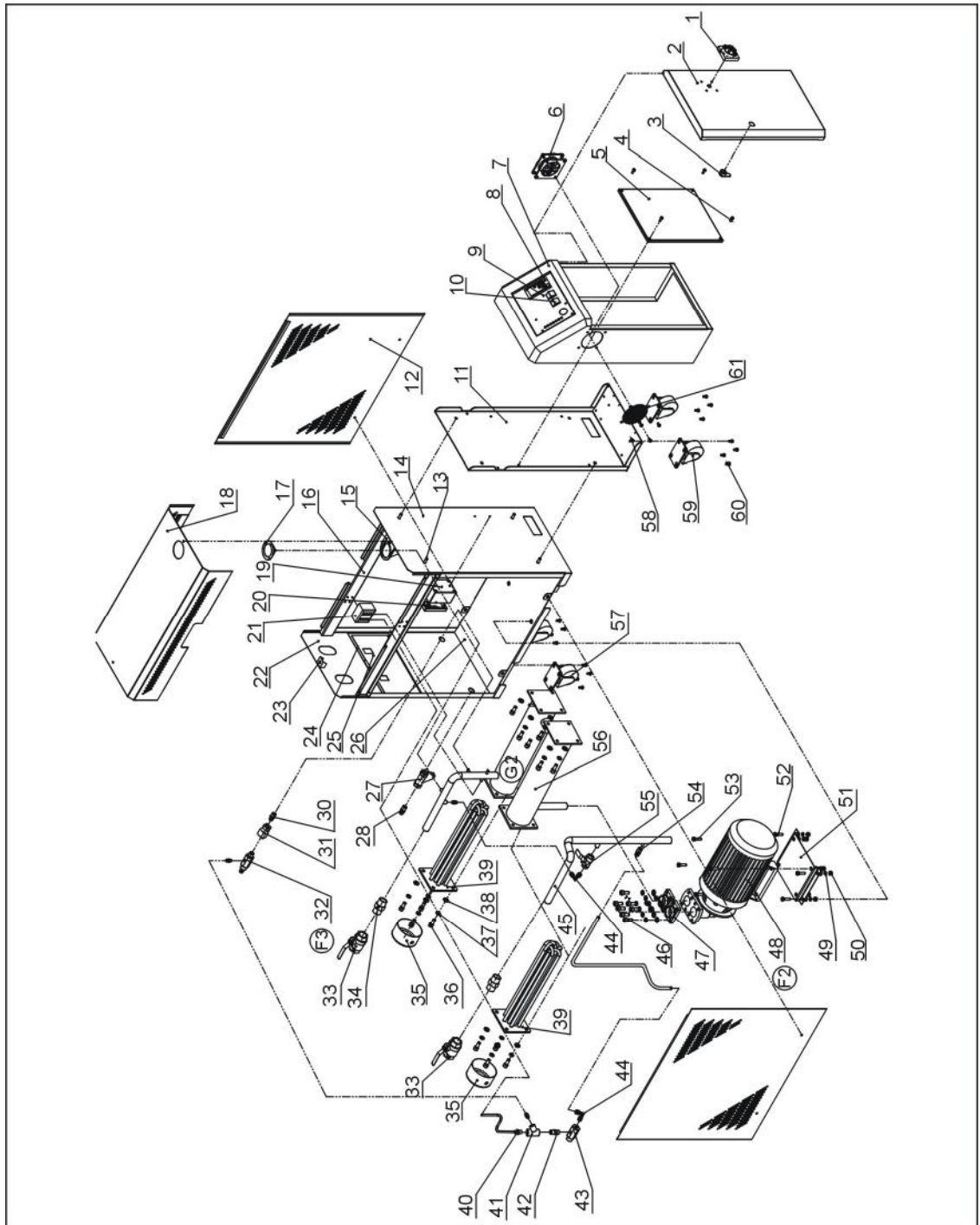
Table 2-3: Parts List (STM-1220W)

No.	Name	Part No.	No.	Name	Part No.
1	Mian power switch	YE10010000000	30	Socket head cap screw M6×15	YW61061600200
2	Door plate	-	31	Water flow regulator contactor	-
3	Door lock	YW00000000100	32	Water flow regulator	-
4	Flat head screw M6×15	YW62061500000	33	Stainless steel globe valve 3/8"	YE32215400000
5	Base plate of the electrical cabinet	-	34	Teflon pipe contactor 3/8PT×3/8H	BH12030800610
6	Fan	YM60922500100	35	-	-
7	White trigger	YE10210400000	36	Heater casing	BL80091000120
8	Temperature controller	YE85005000000	37	Heaters	BH70122000150
9	Operation panel	-	38	Copper contactor 3	-
10	Electrical cabinet	-	39	Pipe coupler 3/8"	BH12030800110
11	Side plate	-	40	Solenoid valve	YE32331000000
12	Back plate of electrical cabinet	-	41	Teflon pipe contactor 3/8PT×3/8H(L type)	YW04030800300
13	Clapboard	-	42	Hex head screw M10×25	YW60102000100
14	Pressure gauge mounting plate	-	43	Pump TP-150	BM20015000050
15	Pressure gauge	YW85001000100	44	Pump flange	-
16	Beam	-	45	Socket head cap screw M10×25	YW61102500000
17	Cover plate	-	46	Flat washer D10	YW66102500000
18	High and low pressure switch	YE90832500000	47	Heater	-
19	Back plate	-	48	Spring washer D10	YW65010000000
20	Tip palte	-	49	Socket head cap screw M10×30	YW61103000100
21	Supporting plate of the cover plate on the back plate	-	50	Globe valve 1/2"	YW50010200100
22	Cover plate on the back plate	-	51	Copper Teflon contactor 1/2H×1/2PT(L type)	YW04121200000
23	T joint 1/4"	-	52	Teflon pipe contactor 1/2PT×1/2H	BH12010200210
24	Pipe coupler 1/4"	BH12010400110	53	EGO 1	YR40000400300
25	Teflon pipe contactor 1/4PT×1/4H	BH12010400410	54	EGO 2	YR40000400300
26	Copper contactor9	-	55	Stiffener 1	-
27	Filter valve	YW57010200000	56	Base plate	-
28	Inserted core 3/8" ×M13	BH12030801110	57	Fan shell	YM60922500100
29	Inlet pipe of the pump	-	58	Falt head screw M6×10	YW62061000000

No.	Name	Part No.	No.	Name	Part No.
59	Caster 2"	YW03000200000			

\* means possible broken parts. \*\* means easy broken part. and spare backup is suggested. Please confirm the version of manual before placing the purchase order to guarantee that the item number of the spare part is in accordance with the real object.

### 2.3.7 Assembly Drawing (STM-2440W)



Remarks: Please refer to material list 2.2.8 for specific explanation of the Arabic numbers in parts drawing.

Picture 2-5: Assembly Drawing (STM-2440W)



## 2.3.8 Parts List (STM-2440W)

Table 2-4: Parts List (STM-2440W)

No.	Name	Part No.	No.	Name	Part No.
1	Main power switch	YE10010000000	27	Filter valve	YW57010200000
2	Door plate	-	28	Copper inserted core	BH12030801110
3	Door lock	YW00000000100	29	-	-
4	Flat head screw M6×15	YW62061500000	30	Teflon contactor3/8PT×3/8H	BH12030800610
5	Base plate of electrical cabinet	-	31	Solenoid valve	YE32331000000
6	Fan	YM60922500100	32	Copper contactor 3	-
7	Electrical cabinet	-	33	Stainless steel globe valve 1"	YW50010000200
8	Temperature controller	YE85005000000	34	Stainless steel inner joint 1"	YW55001000000
9	Operation panel	-	35	Heater casing	BL80091000120
10	White trigger	YE10210400000	36	Socket head cap screw M10×25	YW61102500000
11	Back plate of the electrical cabinet	-	37	Spring washer D10	YW65010000000
12	Side plate	-	38	Flat washer D10	YW66102500000
13	Socket head cap screw M8×15	YW60081600100	39	Heaters	BH70244000150
14	Clapboard	-	40	Teflon pipe contactor 1/4PT×1/4H	BH12010400410
15	Mouning palte of pressure switch	-	41	T connection 1/4"	YW52010400000
16	Beam	-	42	Pipe coupler 1/4"	BH12010400110
17	Pressure gauge	YW85001000100	43	Copper contactor 9	-
18	Cover plate	-	44	Teflon contactor 1/2PT×1/2H(L type)	YW04121230000
19	EGO base	YR40000400300	45	Return water pipe	-
20	EGO	YR40000400300	46	Socket head cap screw M10×25	YW61103500000
21	High and low pressure switch	YE90832500000	47	Pump flange	-
22	Back plate	-	48	Pump TP-280	BM20028000050
23	Tip palte	-	49	Flat washer D8	YW66081600000
24	Supporting plate of the back plate	-	50	Hex nut M8	YW64080600000
25	Cover palte of the back palte	-	51	Fixing plate of pump	-
26	Base palte	-	52	Hex head screw M8×20	YW60082000200

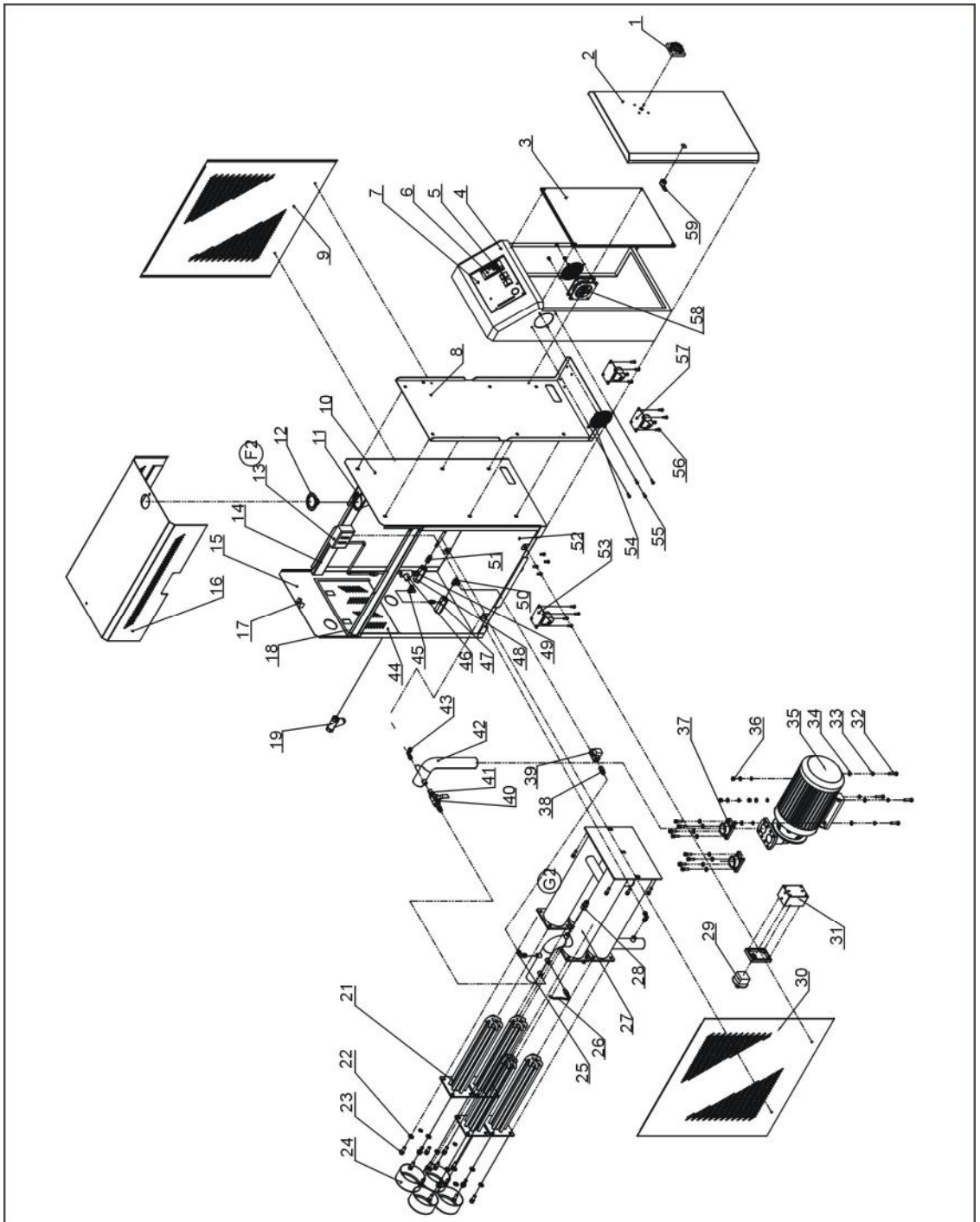
No.	Name	Part No.	No.	Name	Part No.
53	Hex head screw M8×30	YW60083000100	58	Flat head screw M6×10	YW63061000000
54	Teflon pipe contactor 1/2PT×1/2H	BH12010200210	59	Movable caster 3"	YW03000300200
55	Copper globe valve 1/2"	YW50010200100	60	Hex head screw M6×10	YW60061000000
56	Heating tank	-	61	Fan shell	YM60922500100
57	Bracking caster 3"	YW03000300000			

\* means possible broken parts.

\*\* means easy broken part. and spare backup is suggested.

Please confirm the version of manual before placing the purchase order to guarantee that the item number of the spare part is in accordance with the real object.

### 2.3.9 Assembly Drawing (STM-3650W)



Remarks: Please refer to material list 2.2.10 for specific explanation of the Arabic numbers in parts drawing.

Picture 2-6: Assembly Drawing (STM-3650W)

## 2.3.10 Parts List (STM-3650W)

Table 2-4: Parts List (STM-3650W)

No.	Name	Part No.	No.	Name	Part No.
1	Main power switch	YE10010000000	26	Thermocouple	BE90100000150
2	Door plate	-	27	Heating tank 2	-
3	Base plate of electrical cabinet	-	28	Teflon pipe contactor 1/4H×1/4PT	BH12010400410
4	Electrical cabinet	-	29	EGO konb	YE21503000000
5	Ship type switch	YE10210400000	30	Side plate 2	-
6	Temperature controller	YE85005000000	31	Plastic protector	YR40000400300
7	Operation panel	-	32	Hex head screw M8×35	YW60083500000
8	Back plate of the electrical cabinet	-	33	Flat washer D8	YW66082200100
9	Side plate1	-	34	Spring washer D8	YW65008000200
10	Clapboard	-	35	Pump TP-400	BM20423000050
11	Supporting palte of the pressure gauge	-	36	Hex nut M8	YW64080600000
12	Pressure gauge	YW85001000100	37	Pump flange	-
13	High and low pressure switch	YE90832500000	38	Teflon contactor 3/8H×1/2PT	BH12030800210
14	Beam	-	39	Solenoid valve	YE32331000000
15	Back palte	-	40	Copper globe valve 1/2"	YW50010200100
16	Cover plate	-	41	Pipe coupler 1/2"	BH12010200010
17	Tip palte	-	42	Inlet pipe of the pump	-
18	Supporting plate of the cover plate on the back plate	-	43	Teflon contactor 1/2PT×1/2H(L type)	YW04121230000
19	Filter valve	YW57010200000	44	Cover plate of the back plate	-
20	-	-	45	Copper Teflon male elbow 1/4PT×3/8H	BH12010400510
21	Heaters	BH70091000250	46	Stainless steel T joint 1/4"	YW52010400000
22	Flat washer D10	YW66102500000	47	Copper contactor 3	-
23	Socket head cap screw M10×25	YW61102000000	48	Copper contactor 9	-
24	Heater casing	BL80091000120	49	Pipe coupler 1/4"	BH12010400110
25	Teflon pipe contactor 3/8H×3/8T(L type)	YW04030800300	50	Copper pipe coupler 1/2PT×3/8PT(L type)	YW04030800000

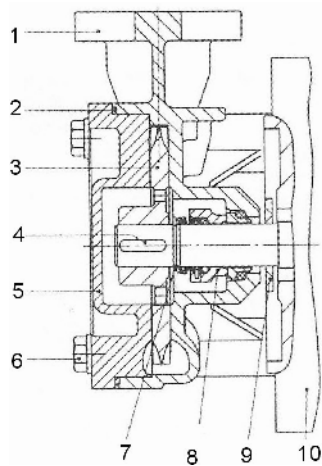
No.	Name	Part No.	No.	Name	Part No.
51	Teflon pipe contactor 1/2 H x 1/2 PT	BH12010200210	56	Hex head screw M6x16	YW60061600100
52	Base plate	-	57	Movable caster	YW03000300200
53	Braking caster	YW03000300000	58	Fan	YM60922500100
54	Fan shell	YM60922500100	59	Door lock	YE10200300000
55	Flat head screw M6x10	YW63061000000			

\* means possible broken parts.

\*\* means easy broken part. and spare backup is suggested.

Please confirm the version of manual before placing the purchase order to guarantee that the item number of the spare part is in accordance with the real object.

## 2.3.11 Pump



Picture 2-7: Pump

Table 2-4: Pump Parts List

No.	Name	Part No.				
		607W/607WD	910 W/910WD	1220 W	2440 W	3650 W
1	Pump body	-	-	-	-	-
2	O-shape ring	-	-	-	-	-
3	Impeller	-	-	-	-	-
4	Key	-	-	-	-	-
5	Pump lid	-	-	-	-	-
6	Hexagonal head screw	-	-	-	-	-
7	Snap ring	-	-	-	-	-
8	Mechanical shaft seal *	YR80901000000	YR80901200000	YR80901600000	YR80902240000	YR80902240000
9	Rotary ring	-	-	-	-	-
10	Motor	-	-	-	-	-

\* means possible broken parts.

\*\* means easy broken part. and spare backup is suggested.

Please confirm the version of manual before placing the purchase order to guarantee that the item number of the spare part is in accordance with the real object.