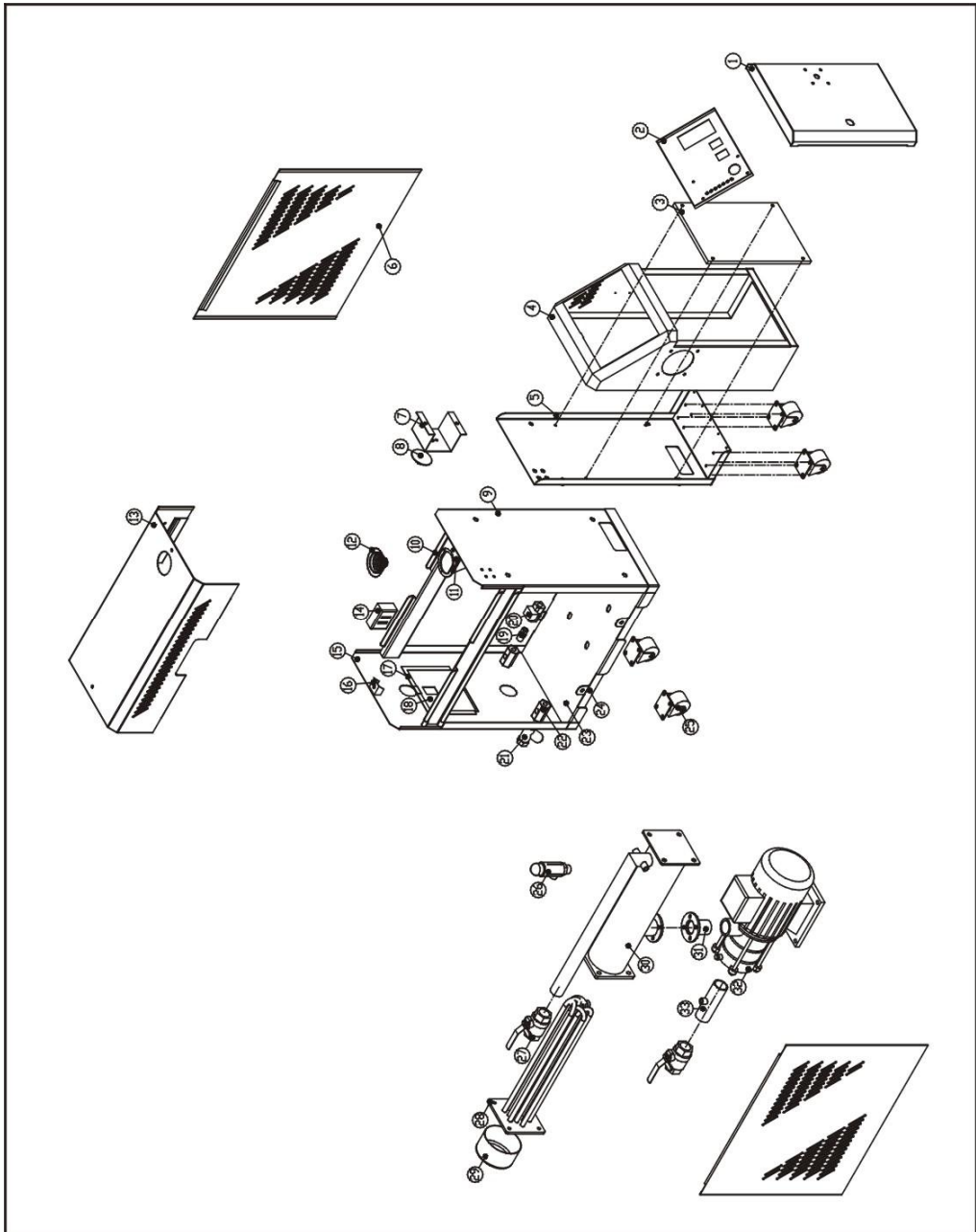


2.3 Assembly Drawing

2.3.1 Assembly Drawing (STM-607~1220WF)



Remarks: Please refer to material list 2.2.2 for specific explanation of the Arabic numbers in parts drawing.

Picture 2-2: Assembly Drawing (STM-607~1220WF)

2.3.2 Parts List (STM-607~1220WF)

Table 2-1: Parts List (STM-607WF)

No.	Name	Part No.	No.	Name	Part No.
1	Door plate	-	18	Mini cover board of backboard	-
2	Operation panel	-	19	Copper connection (with outer teeth at the two ends)	-
3	Electric controlled ground plate	-	20	Solenoid valve*	YE32215400000
4	Electric controlled cabinet	BH49060702050	21	Water filtering valve*	YW57010200000
5	The backboard of the electric controlled cabinet	-	22	Copper connection	-
6	Side plate	-	23	Soleplate	-
7	EGO installation plate	-	24	Rib reinforcement	-
8	EGO*	YE21503000000	25	2" Plastic core-rubber-tires	YW03000200000
9	Baffle plate	-	26	Safety valve	YW05100000000
10	Crossbeam	-	27	1" Stainless steel valve	YW50010000200
11	Installation the pressure gauge	-	28	Heating pipe unit*	BH70060700250
12	Pressure gauge*	YW85001000100	29	Heating pipe shield*	BL80091000120
13	Cover board	-	30	Heating bucket	-
14	Pressure switch*	YE90000800000	31	The connection pipe of pump outlet flange	-
15	Backboard	-	32	Water pump*	YM20024000000
16	Plate pin	-	33	Pump inlet connection pipe	-
17	Mini cover board of backboard planker	-			

* means possible broken parts. ** means easy broken part. and spare backup is suggested. Please confirm the version of manual before placing the purchase order to guarantee that the item number of the spare part is in accordance with the real object.

Table 2-2: Parts List (STM-910WF)

No.	Name	Part No.	No.	Name	Part No.
1	Door plate	-	18	Mini cover board of backboard	-
2	Operation panel	-	19	Copper connection (with outer teeth at the two ends)	-
3	Electric controlled ground plate	-	20	Solenoid valve*	YE32215400000
4	Electric controlled cabinet	BH49060702050	21	Water filtering valve*	YW57010200000
5	The backboard of the electric controlled cabinet	-	22	Copper connection	-
6	Side plate	-	23	Soleplate	-
7	EGO installation plate	-	24	Rib reinforcement	-
8	EGO*	YE21503000000	25	2" Plastic core-rubber-tires	YW03000200000
9	Baffle plate	-	26	Safety valve	YW05100000000
10	Crossbeam	-	27	1" Stainless steel valve	YW50010000200
11	Installation the pressure gauge	-	28	Heating pipe unit*	BH70060700250
12	Pressure gauge*	YW85001000100	29	Heating pipe shield*	BL80091000120
13	Cover board	-	30	Heating bucket	-
14	Pressure switch*	YE90000800000	31	The connection pipe of pump outlet flange	-
15	Backboard	-	32	Water pump*	YM20024000000
16	Plate pin	-	33	Pump inlet connection pipe	-
17	Mini cover board of backboard planker	-			

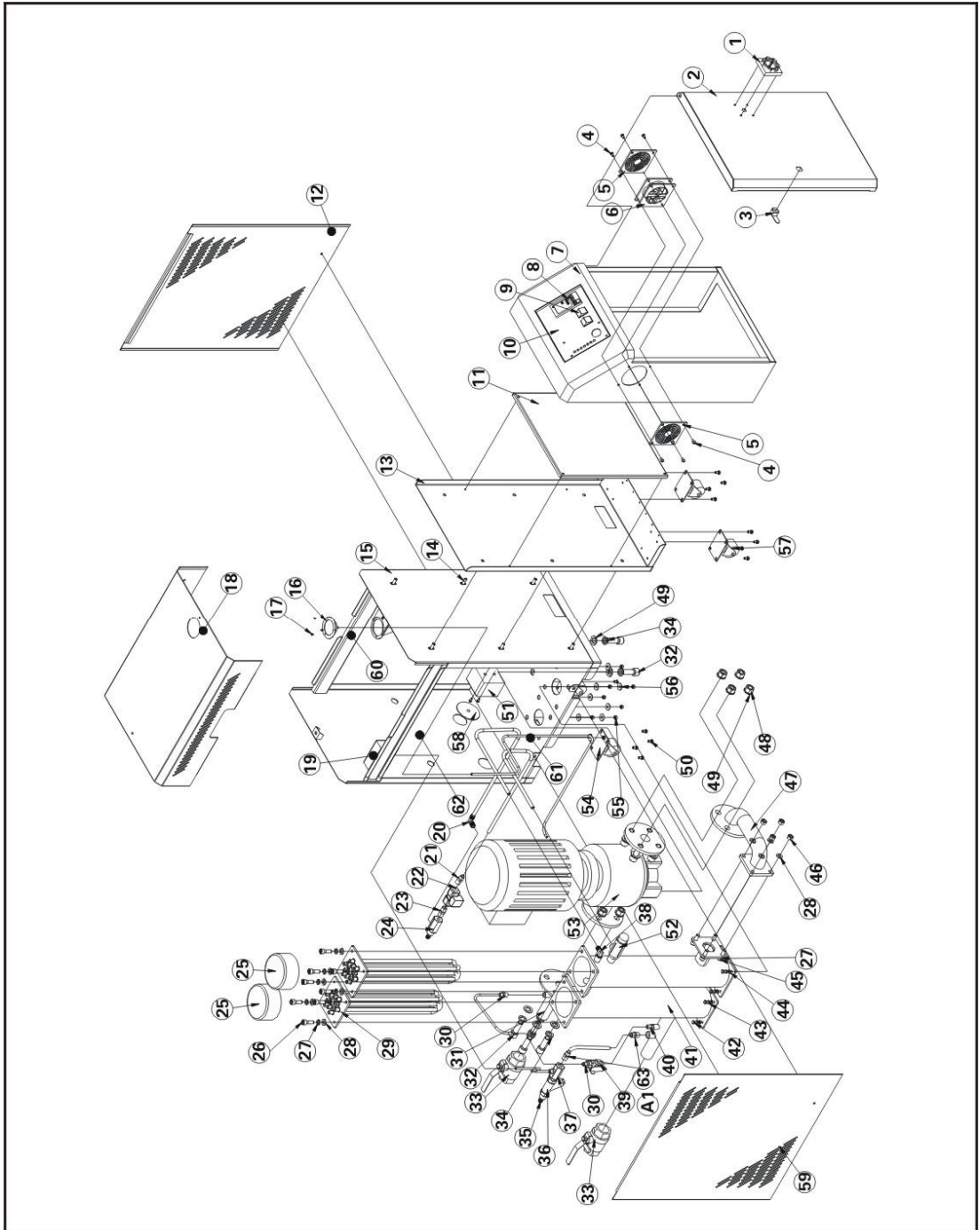
* means possible broken parts. ** means easy broken part. and spare backup is suggested. Please confirm the version of manual before placing the purchase order to guarantee that the item number of the spare part is in accordance with the real object.

Table 2-3: Parts List (STM-1220WF)

No.	Name	Part No.	No.	Name	Part No.
1	Door plate	-	18	Mini cover board of backboard	-
2	Operation panel	-	19	Copper connection (with outer teeth at the two ends)	-
3	Electric controlled ground plate	-	20	Solenoid valve*	YE32215400000
4	Electric controlled cabinet	BH50124000050	21	Water filtering valve*	YW57010200000
5	The backboard of the electric controlled cabinet	-	22	Copper connection	-
6	Side plate	-	23	Soleplate	-
7	EGO installation plate	-	24	Rib reinforcement	-
8	EGO*	YE21503000000	25	2" Plastic core-rubber-tires	YW03000200000
9	Baffle plate	-	26	Safety valve	YW05100000000
10	Crossbeam	-	27	1" Stainless steel valve	YW50010000200
11	Installation the pressure gauge	-	28	Heating pipe unit*	BH70060700250
12	Pressure gauge*	YW85001000100	29	Heating pipe shield*	BL80091000120
13	Cover board	-	30	Heating bucket	-
14	Pressure switch*	YE90000800000	31	The connection pipe of pump outlet flange	-
15	Backboard	-	32	Water pump*	YM20024000000
16	Plate pin	-	33	Pump inlet connection pipe	-
17	Mini cover board of backboard planker	-			

* means possible broken parts. ** means easy broken part. and spare backup is suggested. Please confirm the version of manual before placing the purchase order to guarantee that the item number of the spare part is in accordance with the real object.

2.3.3 Assembly Drawing (STM-2430WF)



Remarks: Please refer to material list 2.2.4 for specific explanation of the Arabic numbers in parts drawing.

Picture 2-3: Assembly Drawing (STM-2430WF)

2.3.4 Parts List (STM-2430WF)

Table 2-4: Parts List (STM-2430WF)

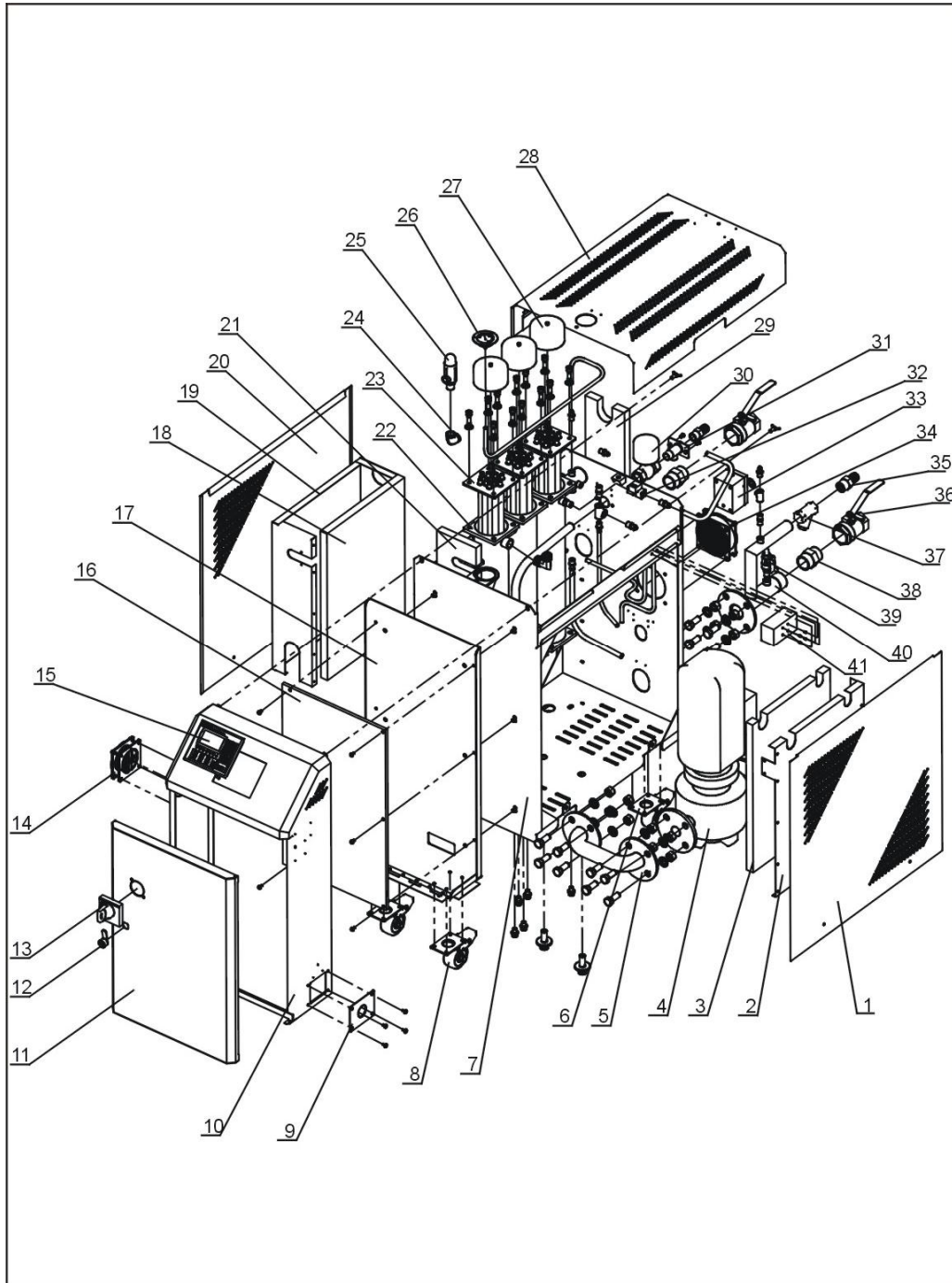
No.	Name	Part No.	No.	Name	Part No.
1	Door plate	-	26	M10×25 Steel hexagon screw	YW61102500000
2	M6×15 lenti heated screw	YW63061700000	27	Φ10 Elastic gasket	YW65010000000
3	Electric controlled base plate	-	28	Φ10×Φ25 Flap gasket	YW66102500000
4	Operation plane	-	29	Electric heating pipe shield*	BL80122000120
5	Control cabinet	BH50245000150	30	Electric heating pipe unit	BH70224000450
6	M4×5 lenti heated screw	YW62040500000	31	Plate pin	-
7	M6×15 outer hexagon screw	YW60061500000	32	Solenoid valve*	YE32215400000
8	3" Movable truckle	YW03000300200	33	Copper connection	-
9	The backboard of electric cabinet	-	34	Backboard	-
10	Baffle plate	-	35	Heating bucket	-
11	Connection pipe	-	36	3" Braking truckle	YW03000300000
12	M8×20 Steel inner hexagon screw	YW61082000200	37	Base plate	-
13	Φ8×Φ22 Flap gasket	YW66082200100	38	Rib reinforcement 1	-
14	Φ8 Elastic gasket	YW65008000200	39	Rib reinforcement 2	-
15	M16×50 Steel inner hexagon screw	YW61165000000	40	The connection hinge	-
16	Φ16 Elastic gasket	YW65016000000	41	1 / 4" pipe coupler	BH12010400110
17	Φ16×Φ30 Flap gasket	YW66102000100	42	2" stainless steel ball valve	YW50010400000
18	M16 Nut	YW64001600000	43	1 / 2" Teflon pipe connector	BH12010200210
19	Water pump*	-	44	M5×10 thick-headed screw	YW63051000000
20	M3×5 Thick headed screw	YW63030600000	45	Pressure switch*	YE90000800000
21	Pressure gauge*	YW85001000100	46	Water filtering valve*	YW57010200000
22	Pressure gauge splint	-	47	1 / 4" Teflon pipe connector	BH12010400410
23	Side plate	-	48	1 / 2" Teflon pipe connector	YW04030800300
24	Crossbeam	-	49	Output pipe	-
25	Cover plate	-			

* means possible broken parts.

** means easy broken part. and spare backup is suggested.

Please confirm the version of manual before placing the purchase order to guarantee that the item number of the spare part is in accordance with the real object.

2.3.5 Assembly Drawing (STM-3650WF)



Remarks: Please refer to material list 2.2.6 for specific explanation of the Arabic numbers in parts drawing.

Picture 2-4: Assembly Drawing (STM-3650WF)

2.3.6 Parts List (STM-3650WF)

Table 2-4: Parts List (STM-3650WF)

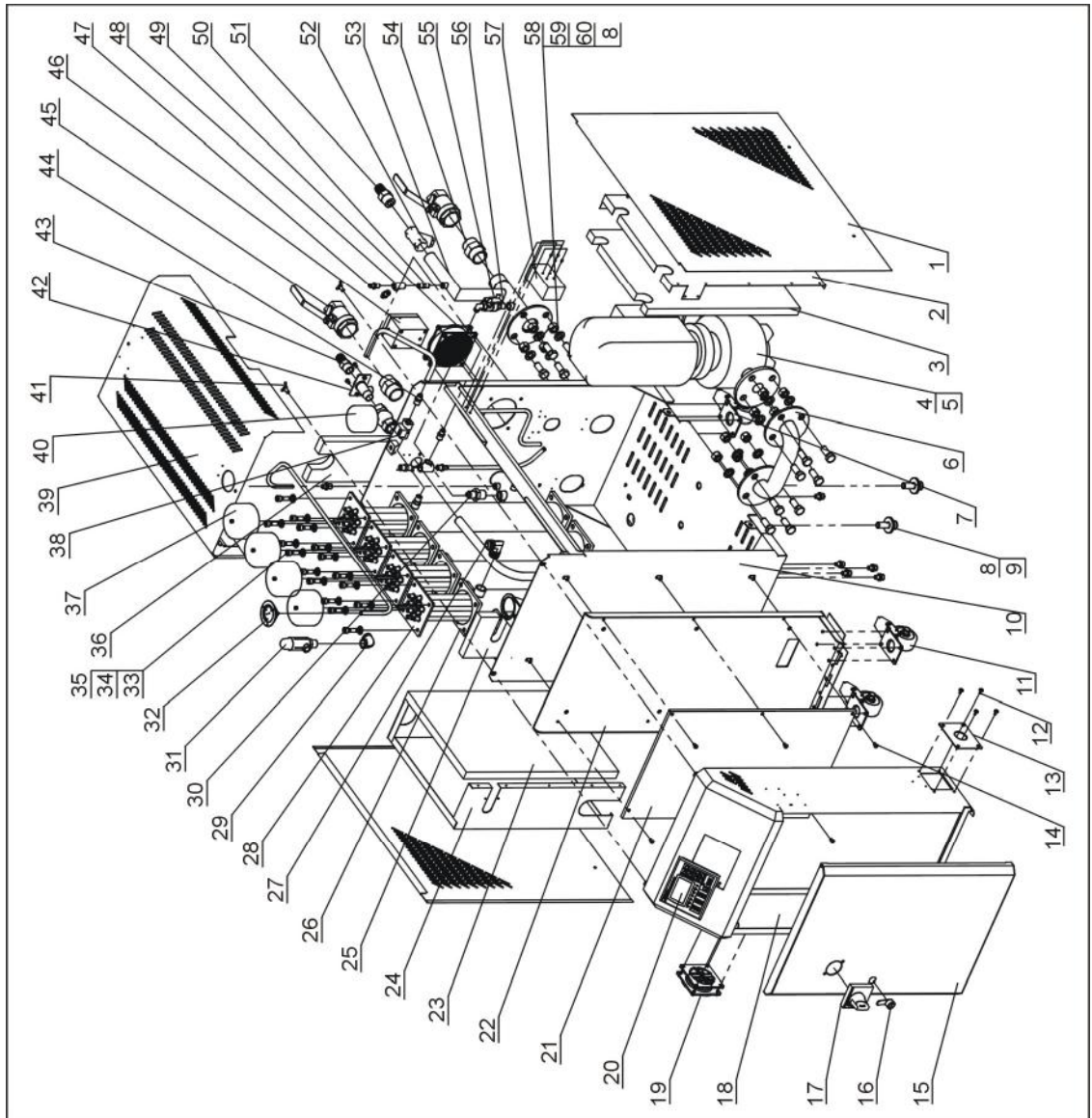
No.	Name	Part No.	No.	Name	Part No.
1	Right side plate		22	Heating plate	-
2	Heating tank cover plate 2	-	23	Pipe heater unit12kW	BH70122000150
3	Insulation cotton 2	-	24	Stainless steel elbow	YW53001200100
4	Southern pump	-	25	Safety valve1/2"	YW05100000000
5	Connection pipe	-	26	Pressure gauge	YW85001000100
6	Lentil heated screw 3"	YW03000300000	27	Electric heating pipe Shield*	BL80091000120
7	Frame		28	Cover plate	-
8	3" movable truckle*	YW03000300200	29	Insulation cotton 4	-
9	Line jig fixed board	-	30	Solenoid valve3/4"	YE32342500000
10	Electrical control box	-	31	Outfall connector	-
11	Door plank	-	32	Solenoid valve3/8"	BE32513000050
12	Long door lock	YW00000000100	33	EGO	BH90115000050
13	Breaker interlock	YE41110000000	34	Fan	YM60423000000
14	Fan	YM60922500100	35	Copper core in1"	-
15	Controller	YE81100010000	36	Stainless steel ball Valve1.5"	YW50015000100
16	base plate of electric control box	-	37	Ywater filtering Valve1"	YW57010000000
17	Control box rear plate1	-	38	Pipe coupler1.5"	-
18	Insulation cotton 1	-	39	Copper ball core Valve1/2"	YW50010200100
19	Heating tank cover plate 1	-	40	Filling water pipe	-
20	Left side plate	-	41	High and low Pressure switch	YE90083000100
21	Insulation cotton 3	-			

* means possible broken parts.

** means easy broken part. and spare backup is suggested.

Please confirm the version of manual before placing the purchase order to guarantee that the item number of the spare part is in accordance with the real object.

2.3.7 Assembly Drawing (STM-4875WF)



Remarks: Please refer to material list 2.2.8 for specific explanation of the Arabic numbers in parts drawing.

Picture 2-5: Assembly Drawing (STM-4875WF)

2.3.8 Parts List (STM-4875WF)

Table 2-4: Parts List (STM-4875WF)

No.	Name	Part No.	No.	Name	Part No.
1	Right side plate		25	Insulation cotton 3	-
2	Heating tank cover plate 2	-	26	Heating tank	-
3	Insulation cotton 2	-	27	Copper Christopher long pipe joint 3/4"PT×3/4"H(L)	YW04030400000
4	Southern pump TD40-36/2	YM20103600000	28	Pipe heater unit 12kw	BH70122000150
5	Southern pump TD40-35/2	YM20403500000	29	Stainless steel pipe elbow 1/2"	YW53001200100
6	Connection pipe	-	30	Copper Christopher long pipe joint 3/4"PT×3/4"H	BH12030400310
7	Castor with brake 3"	YW03000300000	31	Safety valve 1/2"	YW05100000000
8	Hexagon screw bolt M16×50	YW61165000000	32	Pressure gauge	YW85001000100
9	Flat gasket 16	YW66163800000	33	Inner hexagonal screwm10×25	YW61102500000
10	Rack	-	34	Elastic gasket 10	YW65010000000
11	3" Mobile castor *	YW03000300200	35	Flat gasket 10	YW66102000000
12	Lentil headed screw M5×10	YW62051000000	36	Insulation cotton 4	-
13	Line jig fixed board	-	37	Heating tube cover	BL80091000120
14	Lentil headed screw M6×15	YW62051000000	38	Solenoid valve	YE32331000000
15	Door plank	-	39	Plate cover	-
16	Long door lock	YW00000000100	40	Solenoid valve 3/4"	YE32342500000
17	Breaker interlock	YE41110000000	41	Butterfly screwm8×15	YW69081500000
18	Electrical control box	-	42	Water drainage port connector	-
19	Fan	YM60922500100	43	Copper inserted core 3/4"PT×Φ23	-
20	Controller	YE81100010000	44	Copper Christopher long pipe joint 3/8"PT×3/8"H	BH12030800610
21	Base plate of electric control box	-	45	Stainless steel ball valve 1.5"	YW50015000100
22	Control box rear plate	-	46	Egoassembly	BH90115000050
23	Insulation cotton 1	-	47	Copper Christopher long pipe joint 1/4"PT×1/4"H	BH12010400410
24	Heating barrel plating 1	-	48	Stainless steel ball valve 1/4"	YW52010400000

No.	Name	Part No.	No.	Name	Part No.
49	Fan	YM60423000000	55	Stainless steel ball valve 3/4"	YW50030400100
50	Pipe coupler 1/4"	BH12010400110	56	Pipe coupler 3/4"	BH12030400010
51	Copper inserted core 1"	-	57	High and low pressure switchhlp830hme	YE90832500000
52	Y type water strainer 1"	YW57010000000	58	Hexagonal nutm16	YW64001600000
53	Water drainage port connector	-	59	Flat gasket 16	YW66163000000
54	Pipe coupler 了 1.5"	YW04001500000	60	Elastic gasket 16	YW65016000000

* means possible broken parts.

** means easy broken part. and spare backup is suggested.

Please confirm the version of manual before placing the purchase order to guarantee that the item number of the spare part is in accordance with the real object.