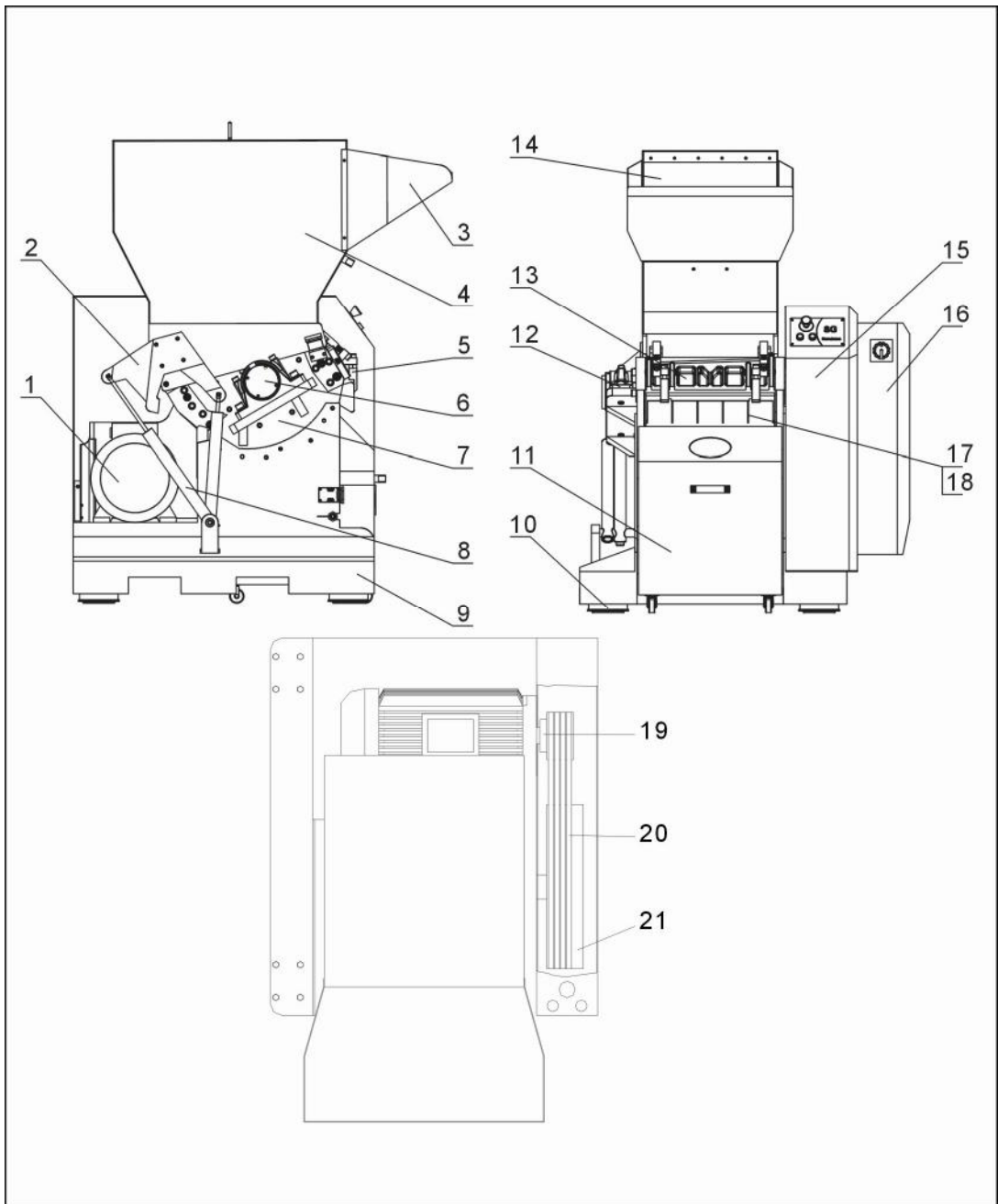


2.3 Assembly Drawing

2.3.1 Assembly Drawing



Note: Please refer to 2.3.2 material list about the parts code.

Picture 2-5: Assembly Drawing

2.3.2 Parts List

Chart 2-1: Parts List

No.	Name	Part No.	
		SG-3645E(S)	SG-3660E(S)
1	Motor	YM10716600100	YM10418600100
2	Fixing plate of the pneumatic spring	BH10364502410	BH10364502410
3	Feed port	BL55364540720	BL59366000020
4	Feed box	-	-
5	Pothook	-	-
6	Bearing cover	-	-
7	Cutting chamber	BH85364500010	BH85366000010
8	Spring	YW01140000000	YW01140000000
9	Base	-	-
10	Anti-vibration pad	YW03162000000	YW03162000000
11	Material collecting box	-	-
12	Bearing block	BW30003600210	BW30003600210
13	Cutting case	BH10364500310-	BH85366000210
14	Material block piece	-	-
15	Right cover	-	-
16	Control box	BH59363000050	BH59366001350
17	Screen frame	BL55364546620	BL55366046620
18	Screen(Φ 10)**	BL55364501020	BL55366001020
19	Small belt pulley	YW30180400000	YW30180400000
20	V shape belt*	YR00059000000	YR00059000000
21	Big belt pulley	YW30500400000	YW30500400000

* means possible broken parts.

** means easy broken part. and spare backup is suggested.

Please confirm the version of manual before placing the purchase order to guarantee that the item number of the spare part is in accordance with the real object.