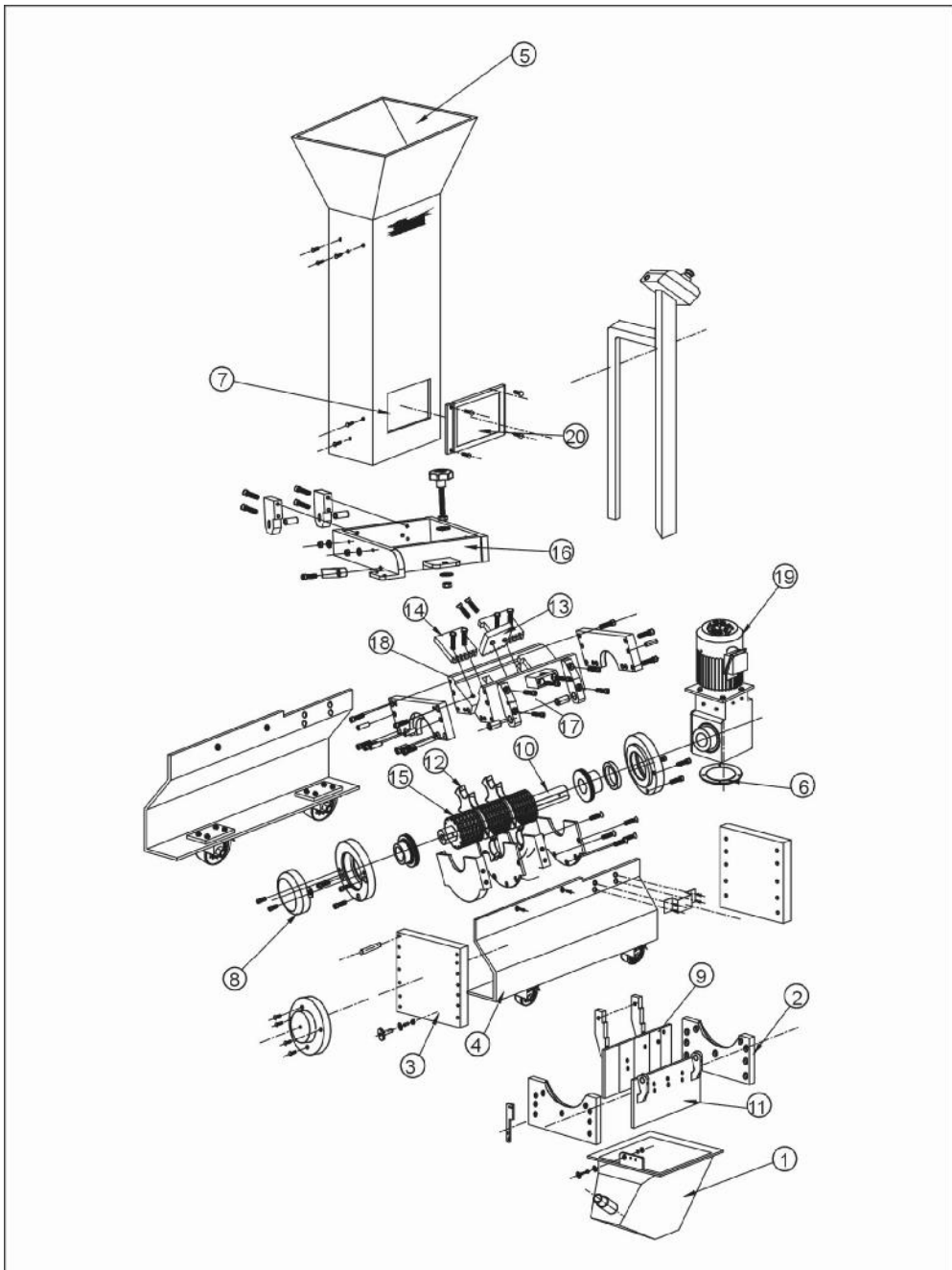


2.3 Assembly Drawing

2.3.1 Assembly Drawing (SG-2417E)



Note: Please refer to 2.3.2 material list about the parts code.

Picture 2-5: Assembly Drawing (SG-2417E)

2.3.2 Parts List (SG-2417E)

Table 2-1: Parts List (SG-2417E)

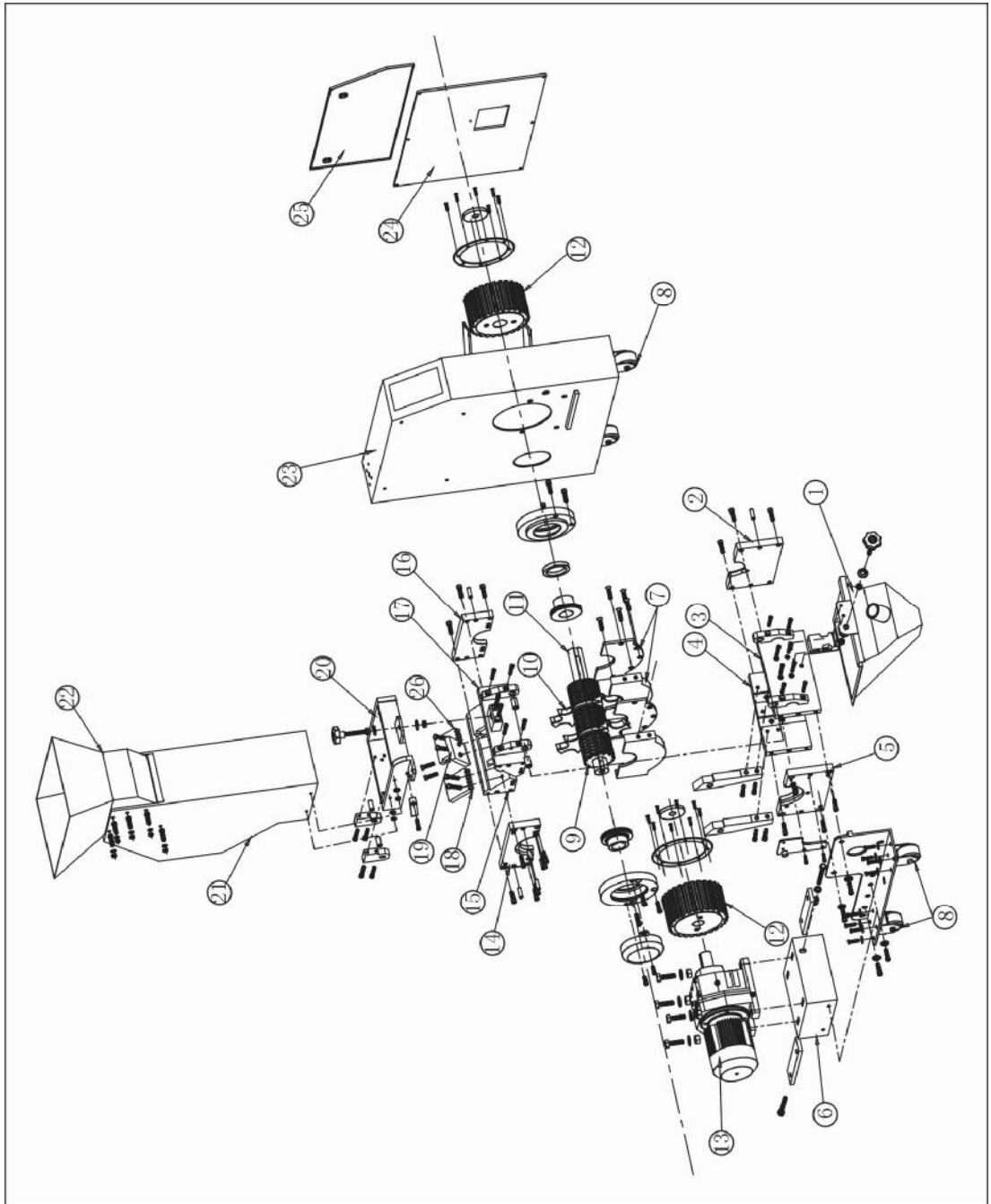
No.	Name	Part No.	No.	Name	Part No.
1	Material-collection case	-	11	Lower and front box block	BH10241700110
2	Lower frame of the feeding box	-	12	Talon blade S	YW40245000000
3	The front and rear board of feeding box	BH10241700310 BH10241700410	13	Fixed front blade F1	YW40024500100
4	Side board of base seat	-	14	Fixed rear blade B	YW40024500300
5	Feeding entrance	-	15	Teeth blade R1	YW40245100000
6	Motor flange	-	16	Lower base of the feeding box	BH10241700210
7	Sight glass frame	-	17	Upper and front box block	BW30241700110
8	Main shaft terminal lid	-	18	Upper and rear box block	YW30241700000
9	Lower and rear box block	BH10241700010	19	Motor	YM10007500000
10	Main shaft	BH10241701110	20	Sight glass door plate	-

* means possible broken parts.

** means easy broken part. and spare backup is suggested.

Please confirm the version of manual before placing the purchase order to guarantee that the item number of the spare part is in accordance with the real object.

2.3.3 Assembly Drawing (SG-2427E(H))



Note: Please refer to 2.3.4 material list about the parts code.

Picture 2-6: Assembly Drawing (SG-2427E(H))

2.3.4 Parts List (SG-2427E(H))

Table 2-2: Parts list (SG-2427E(H))

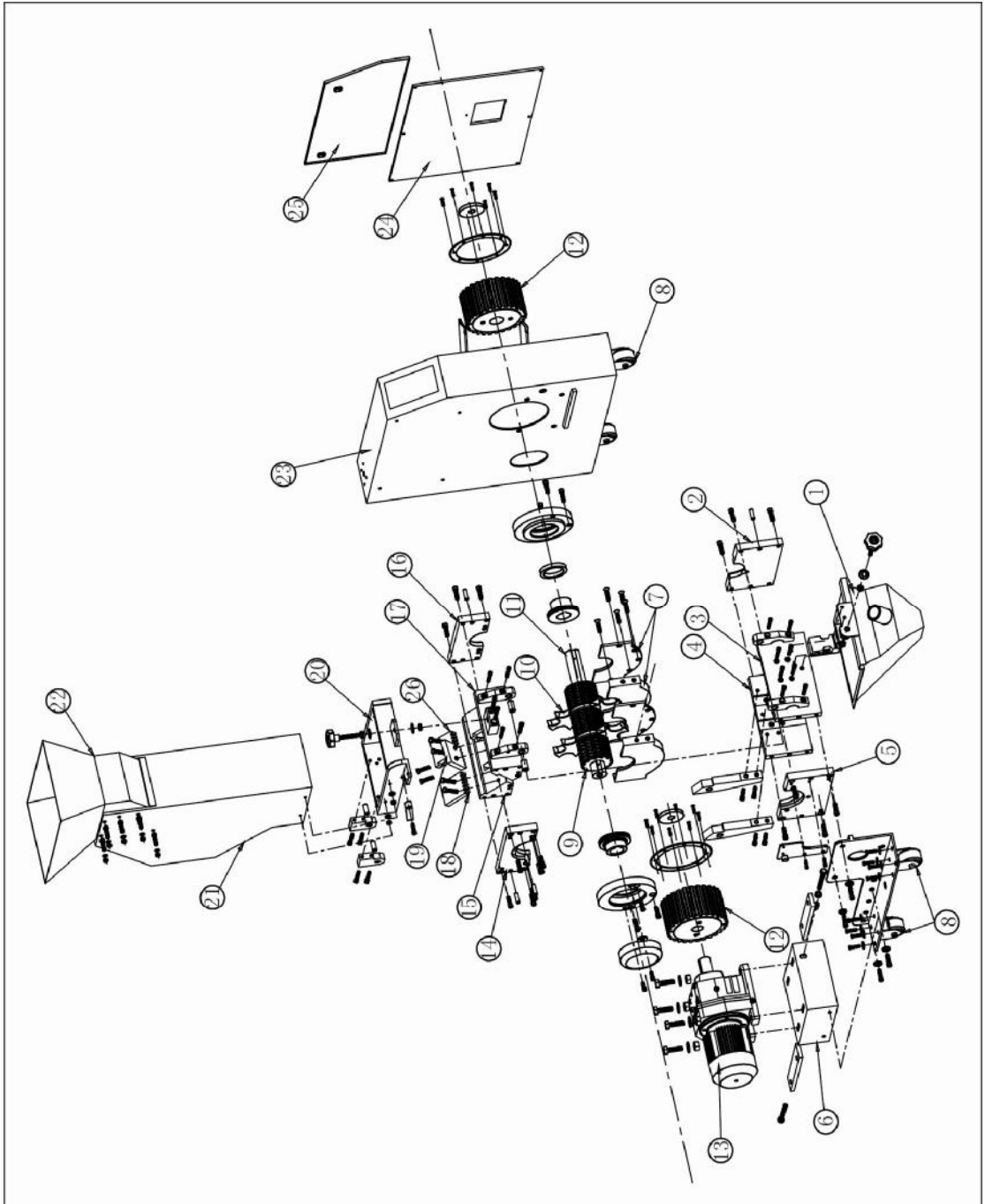
No.	Name	Part No.	No.	Name	Part No.
1	Material-collection case	-	14	Upper box left end plate	BH10240000310
2	Lower box right end plate	BH10240000010	15	Upper box rear box block	BW30242700410
3	Lower box front box block	BH10242700610	16	Upper box right end plate	BH10240000210
4	Lower box rear box block	BH10242700110	17	Upper box front box block	BW30242700510
5	Lower box left end plate	BH10240000110	18	Fixed front blade F1	YW40024500100
6	Motor fixed block	-	19	Fixed rear blade B	YW40024500300
7	Medium board	BH10002400810	20	Lower base of the feeding box	BH10242700210
8	Fixed caster	YW03000300000	21	Feeding box	-
9	Teeth blade	YW40245100000	22	Feeding entrance	-
10	Talon blade	YW40245000000	23	Outer shell	-
11	Main shaft	BH10242701110	24	The upper side board of outer shell	-
12	Synchronization wheel	BW08243500010	25	The lower side board of outer shell	-
13	Motor	YM10105000100 YM10007500000	26	Fixed front blade F2	YW40024500200

* means possible broken parts.

** means easy broken part. and spare backup is suggested.

Please confirm the version of manual before placing the purchase order to guarantee that the item number of the spare part is in accordance with the real object.

2.3.5 Assembly Drawing (SG-2436E(H))



Note: Please refer to 2.3.6 material list about the parts code.

Picture 2-7: Assembly Drawing (SG-2436E(H))

2.3.6 Parts List (SG-2436E(H))

Table 2-3: Parts List (SG-2436E(H))

No.	Name	Part No.	No.	Name	Part No.
1	Material-collection case	-	14	Upper box left end plate	BH10240000310
2	Lower box right end plate	BH10240000010	15	Upper box rear box block	BW30243600710
3	Lower box front box block	BH10243600610	16	Upper box right end plate	BH10240000210
4	Lower box rear box block	BH10243600010	17	Upper box front box block	YW30243600600
5	Lower box left end plate	BH10240000110	18	Fixed front blade F1	YW40024500100
6	Motor fixed block	-	19	Fixed rear blade B	YW40024500300
7	Medium board	BH10002400810	20	Lower base of the feeding box	BH10243600210
8	Fixed caster	YW03000300000	21	Feeding box	-
9	Teeth blade	YW40245100000	22	Feeding entrance	-
10	Talon blade	YW40245000000	23	Outer shell	-
11	Main shaft	BH10243601110	24	The upper side board of outer shell	-
12	Synchronization wheel	BW08244500010	25	The lower side board of outer shell	-
13	Motor	YM10020200000 YM10105000100	26	Fixed front blade F2	YW40024500200

* means possible broken parts.

** means easy broken part. and spare backup is suggested.

Please confirm the version of manual before placing the purchase order to guarantee that the item number of the spare part is in accordance with the real object.