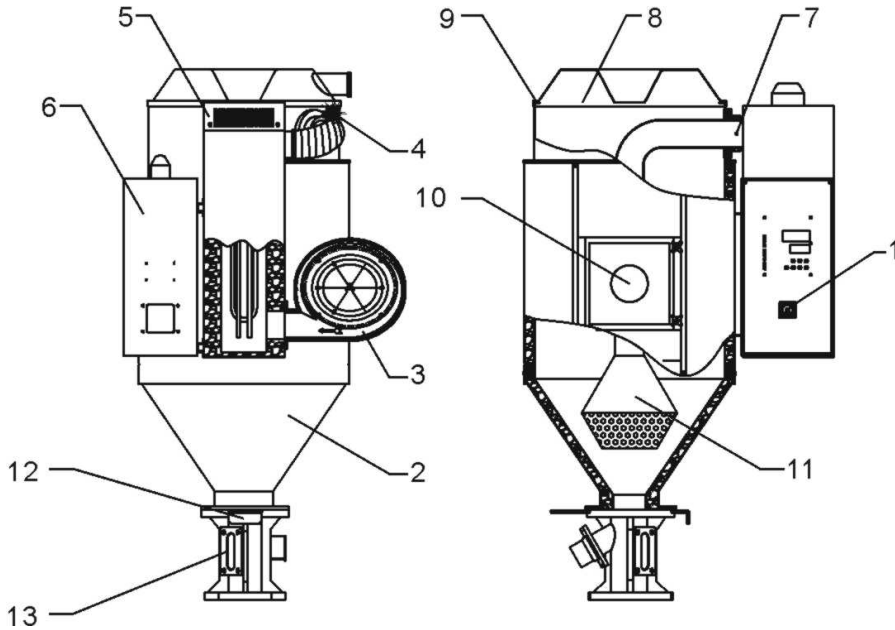


2.2 Drawing and Parts List

2.2.1 Structural Drawing (SHD-20U~750U)

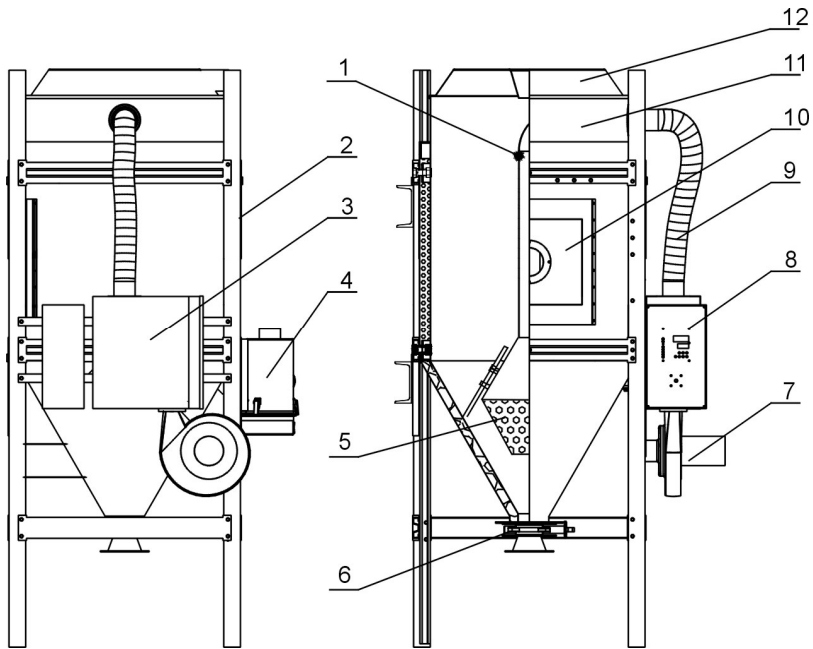


Names of Parts:

- | | | | |
|-------------------------|------------------------|-----------------------|--------------------------|
| 1. Main switch | 2. Insulated layer | 3. Blower | 4. Material storage tank |
| 5. Electric heating box | 6. Control box | 7. Overheat protector | 8. Lid |
| 9. Top cover fastener | 10. Sight-glass window | 11. Down-blowing pipe | 12. Shut-off plate |
| 13. Standard base | | | |

Picture 2-2: Structural Drawing (SHD-20U~750U)

2.2.2 Structural Drawing (SHD-900U~1200U)

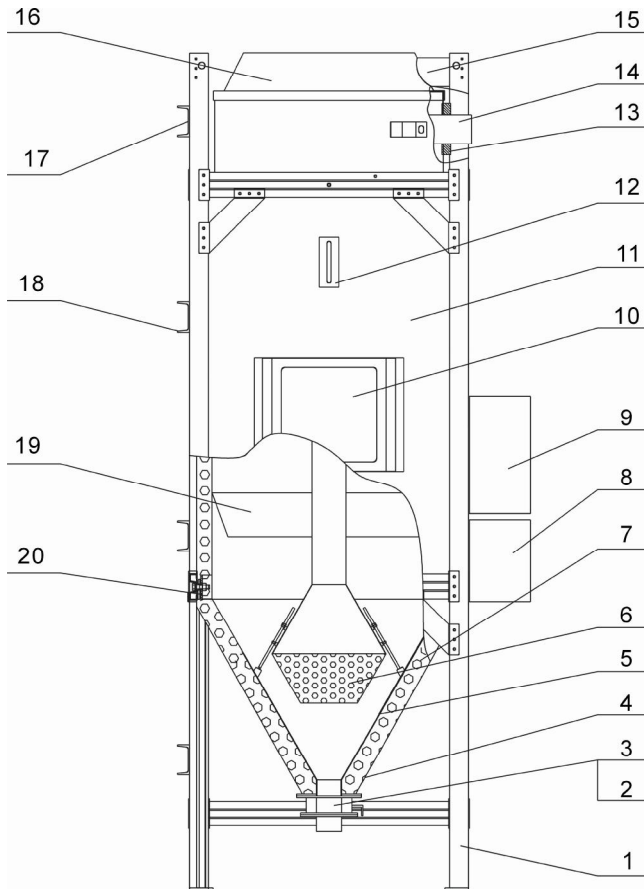


Names of Parts:

- | | | |
|-----------------------|----------------------------|-----------------------------|
| 1. Down-blow air pipe | 2. Floor stand | 3. Heating case |
| 4. Hot-air recycler | 5. Down-blow air pipe bell | 6. Manual butterfly valve |
| 7. Drying blower | 8. Control box | 9. Heat-insulation air pipe |
| 10. Cleaning door | 11. Storage hopper | 12. Hopper cover |

Picture 2-3: Structural Drawing (SHD-900U~1200U)

2.2.3 Structural Drawing (SHD-1500U~8000U)

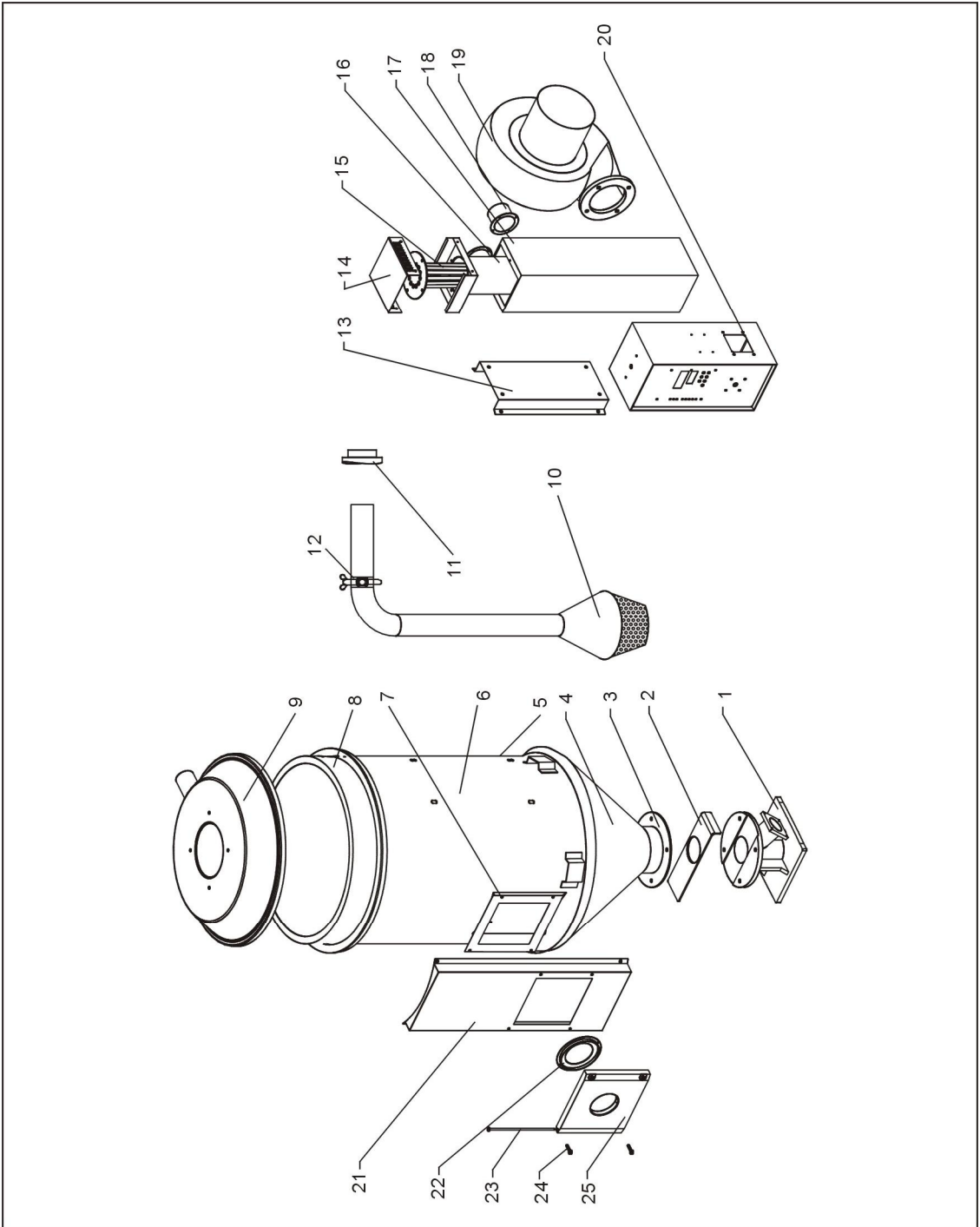


Names of Parts:

- | | | |
|--|--------------------------------|--|
| 1. Floor stand | 2. Manual butterfly valve | 3. Dropping material receive plate |
| 4. Pattern aluminum plate | 5. Inner welding material tank | 6. Down-blowing air bell mouth |
| 7. Heat-insulated cotton | 8. Electrical control box | 9. Heating case |
| 10. Sight-glass window | 11. Material storage tank | 12. Sight-glass window |
| 13. Aluminum fixing block of down-blowing air pipe | 14. Down-blowing air pipe | |
| 15. Air outlet | 16. Lid | 17. Packaging sustain block |
| 18. Forklift beam | 19. Material guide plate | 20. Reinforcement welded block of foot stand |

Picture 2-4: Structural Drawing (SHD-1500U~8000U)

2.2.4 Assembly Drawing (SHD-20U~230U)



Remarks: Please refer to material list 2.2.5 for specific explanation of the Arabic numbers in parts drawing.

Picture 2-5: Assembly Drawing (SHD-20U~230U)

2.2.5 Parts List (SHD-20U~230U)

Table 2-1: Parts List (SHD-20U~80U)

No.	Name	Part No.		
		SHD-20U	SHD-40U	SHD-80U
1	Standard base	BY10020000550	BY10040000050	BY10040000050
2	Shut-off valve	YW07001200000	YW09255000000	YW09255000000
3	Hopper flange	-	-	-
4	Outer hopper	-	-	-
5	Heat preservation cover	-	-	-
6	Hopper	-	-	-
7	Sight glass frame	-	-	-
8	Hopper upper ring	BW21081210010	BL02045002520	BA30801200110
9	Hopper top cover	BL02002000020	BL02004000020	BL02801200020
10	Down-blowing pipe	-	-	-
11	Fixed block for down-blowing pipe	BW21020400010	BW21020400010	BW21081200010
12	Stainless steel clamp	YW07000200000	YW07000200000	YW07002500600
13	Heating box retainer	-	-	-
14	Heating box cap	-	-	-
15	Pipe heater*	BH70202200050	BH70400300350	BH70803900250
16	Hot air pipe	-	-	-
17	Outer cover of heating box	-	-	-
18	Flange	-	-	-
19	Blower*	BM40001500500	BM40025300450	BM40003000150
20	Control box	BH31002000250	BH31004000150	BH31008000350
21	Outer sight glass frame	-	-	-
22	Flange	-	-	-
23	Pin	-	-	-
24	Fastening screw	-	-	-
25	Sight-glass window	-	-	-

* means possible broken parts.

** means easy broken part. and spare backup is suggested.

Please confirm the version of manual before placing the purchase order to guarantee that the item number of the spare part is in accordance with the real object.

Table 2-2: Parts List (SHD-120U~230U)

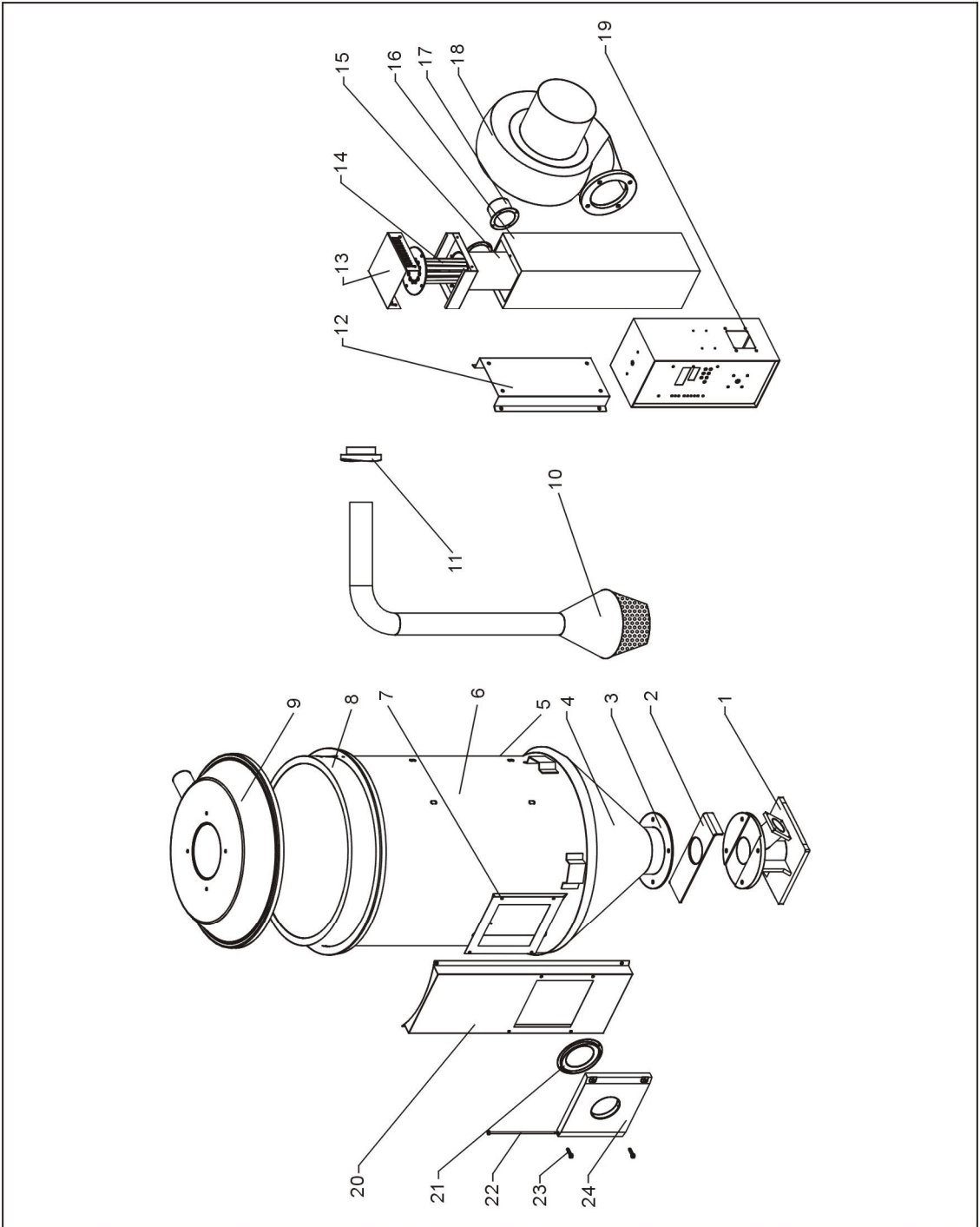
No.	Name	Part No.		
		SHD-120U	SHD-160U	SHD-230U
1	Standard base	BY10040000050	BY10300000050	BY10300000050
2	Shut-off valve	YW09255000000	YW09102000000	YW09102000000
3	Hopper flange	-	-	-
4	Outer hopper	-	-	-
5	Heat preservation cover	-	-	-
6	Hopper	-	-	-
7	Sight glass frame	-	-	-
8	Hopper upper ring	BA30801200110	BA30801200110	BA30162300110
9	Hopper top cover	BL02801200020	BL02016000020	BL02016000020
10	Down-blowing pipe	-	-	-
11	Fixed block for down-blowing pipe	BW21081200010	BW21164500010	BW21164500010
12	Stainless steel clamp	YW07002500600	YW07000300000	YW07000300000
13	Heating box retainer	-	-	-
14	Heating box cap	-	-	-
15	Pipe heater*	BH70123900150	BH70160600250	BH70230600250
16	Hot air pipe	-	-	-
17	Outer cover of heating box	-	-	-
18	Flange	-	-	-
19	Blower*	BM40003000150	BM40000450050	BM40000450050
20	Control box	BH31008000350	BH31016000350	BH31016000350
21	Outer sight glass frame	-	-	-
22	Flange	-	-	-
23	Pin	-	-	-
24	Fastening screw	-	-	-
25	Sight-glass window	-	-	-

* means possible broken parts.

** means easy broken part. and spare backup is suggested.

Please confirm the version of manual before placing the purchase order to guarantee that the item number of the spare part is in accordance with the real object.

2.2.6 Assembly Drawing (SHD-300U~750U)



Remarks: Please refer to material list 2.2.7 for specific explanation of the Arabic numbers in parts drawing.

Picture 2-6: Assembly Drawing (SHD-300U~750U)

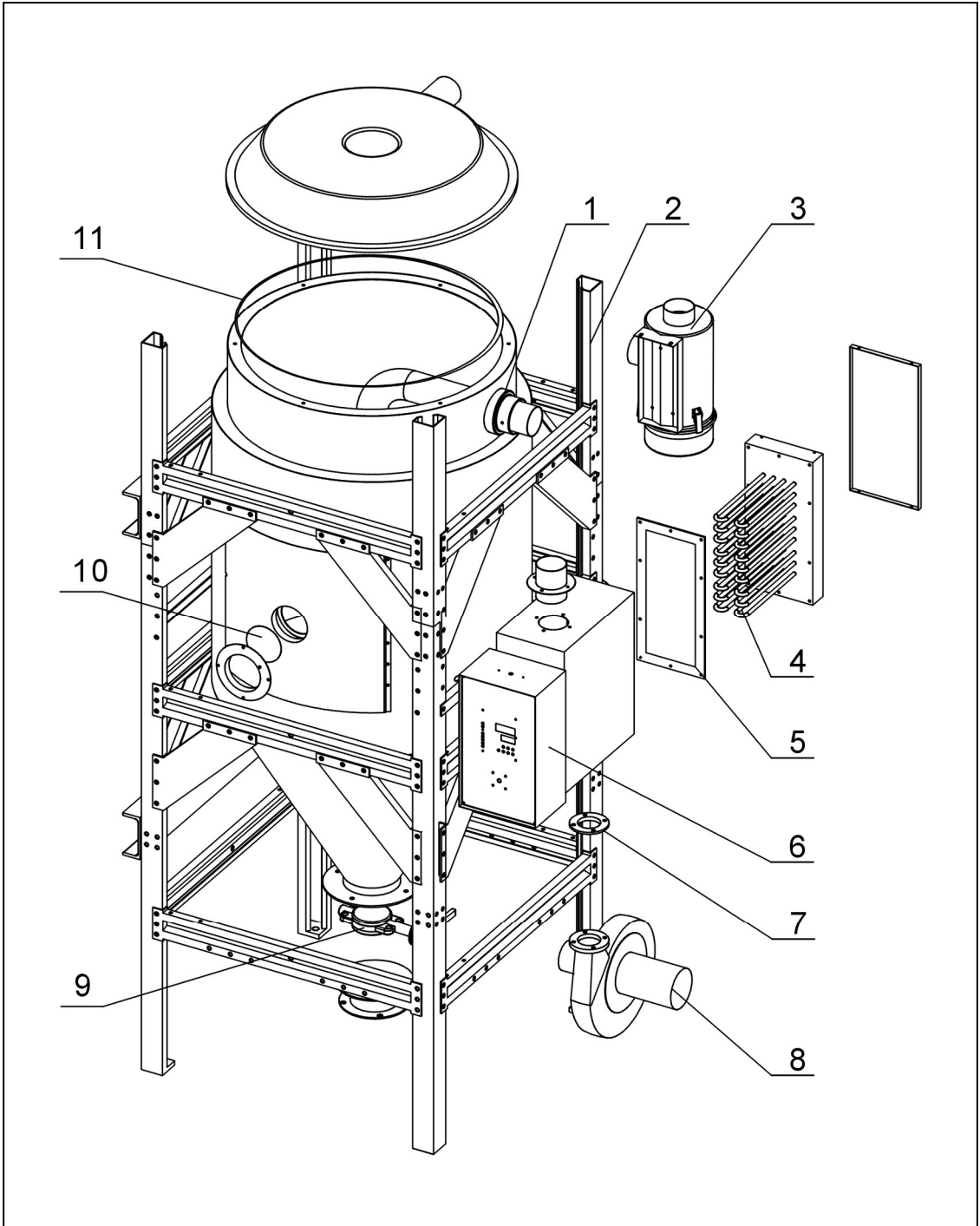
2.2.7 Parts List (SHD-300U~750U)

Table 2-3: Parts List (SHD-300U~750U)

No.	Name	Part No.			
		SHD-300U	SHD-450U	SHD-600U	SHD-750U
1	Standard base	BY10300000050	BY10300000050	BY10400000050	BY10400000050
2	Shut-off valve	YW09102000000	YW09102000000	YW09406000040	YW09406000040
3	Hopper flange	-	-	-	-
4	Outer hopper	-	-	-	-
5	Heat preservation cover	-	-	-	-
6	Hopper	-	-	-	-
7	Sight glass frame	-	-	-	-
8	Hopper upper ring	BA30304500110	BA30304500110	BA30607500110	BA30607500110
9	Hopper top cover	BL02030000020	BL02030000020	BL02060000020	BL02060000020
10	Down-blowing pipe	-	-	-	-
11	Fixed block for down-blowing pipe	BW21164500110	BW21164500110	BW21601200010	BW21601200010
12	Heating box retainer	-	-	-	-
13	Heating box cap	-	-	-	-
14	Pipe heater*	BH70301200150	BH70451200250	BH70601800250	BH70751800250
15	Hot air pipe	-	-	-	-
16	Outer cover of heating box	-	-	-	-
17	Flange	-	-	-	-
18	Blower*	BM40005000150	BM40005000150	BM30055000060	BM30055000060
19	Control box	BH31304500050	BH31045000250	BH31075000050	BH31075000050
20	Outer sight glass frame	-	-	-	-
21	Flange	-	-	-	-
22	Pin	-	-	-	-
23	Fastening screw	-	-	-	-
24	Sight-glass window	-	-	-	-

* means possible broken parts. ** means easy broken part. and spare backup is suggested. Please confirm the version of manual before placing the purchase order to guarantee that the item number of the spare part is in accordance with the real object.

2.2.8 Assembly Drawing (SHD-900U~1200U)



Remarks: Please refer to material list 2.2.9 for specific explanation of the Arabic numbers in parts drawing.

Picture 2-7: Assembly Drawing (SHD-900U~1200U)

2.2.9 Parts List (SHD-900U~120U)

Table 2-4: Parts List (SHD-900U~1200U)

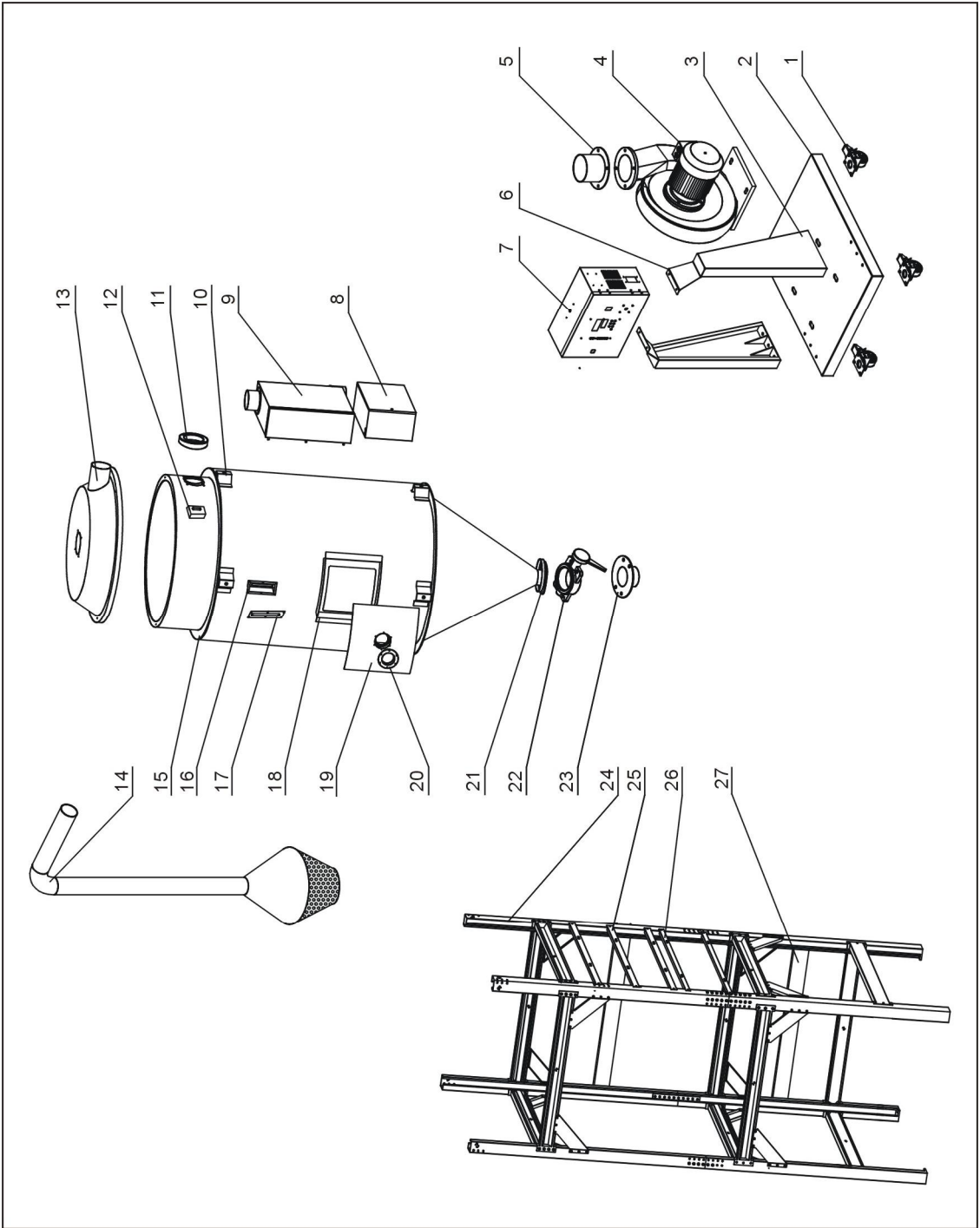
No.	Name	Part No.	
		SHD-900U	SHD-1200U
1	Air inlet flange	BW21601200010	BW21601200010
2	Rack metal plate	BK02090000520	BK02120000520
3	cler	BY10090000350	BY10120200050
4	Pipe heater *	BH70090000850	BH70120000850
5	Heating case silica gel fastener**	YR10350040000	YR10350040000
6	Control box	BH31090120050	BH31010000450
7	Blower fastener **	YR10001200600	YR10161200000
8	Drying blower *	BM30055000060	BM30113230050
9	Manual butterfly valve	YW59418000000	YW59418000000
10	Sight-glass tempered glass	YW70406000000	YW70406000000
11	Hopper cover fastener**	YR10010040100	YR10010040100

* means possible broken parts.

** means easy broken part. and spare backup is suggested.

Please confirm the version of manual before placing the purchase order to guarantee that the item number of the spare part is in accordance with the real object.

2.2.10 Assembly Drawing (SHD-1500U~8000U)



Remarks: Please refer to material list 2.2.11 for specific explanation of the Arabic numbers in parts drawing.

Picture 2-8: Assembly Drawing (SHD-1500U~8000U)

2.2.11 Parts List (SHD-1500U~8000U)

Table 2-5: Parts List (SHD-1500U~2500U)

No.	Name	Part No.		
		SHD-1500U	SHD-2000U	SHD-2500U
1	Castor	YW03000301100 YW03000300000	YW03000301100 YW03000300000	YW03000301100 YW03000300000
2	Frame base	-	-	-
3	Standing post	-	-	-
4	Blower*	YM30304000000	YM30304000000	BM30224000050
5	Blower flange	-	-	-
6	Welded block	-	-	-
7	Main electrical control box	-	-	-
8	Electrical control box	BH31150000250	BH31150000250	BH31250000150
9	Heating case	-	-	-
10	Fixing plate of foot stand	-	-	-
11	Air inlet flange	-	-	-
12	Hoisting ring	-	-	-
13	Lid	-	-	-
14	Down-blowing air pipe	-	-	-
15	Strengthening ring of material tank	-	-	-
16	Sight-glass inner frame	-	-	-
17	Six-point sight-glass window	-	-	-
18	Clearance frame	-	-	-
19	Cleaning door	-	-	-
20	Cleaning door baffle	-	-	-
21	Hopper flange	-	-	-
22	Manual butterfly valve	-	-	-
23	Dropping material receive plate	-	-	-
24	Assembly picture of foot stand	-	-	-
25	Fixing beam of heating case	-	-	-
26	Fixing beam of control box	-	-	-
27	Forklift beam			

* means possible broken parts.

** means easy broken part. and spare backup is suggested.

Please confirm the version of manual before placing the purchase order to guarantee that the item number of the spare part is in accordance with the real object.

Table 2-6: Parts List (SHD-3000U~4000U)

No.	Name	Part No.		
		SHD-3000U	SHD-3500U	SHD-4000U
1	Castor	YW03000301100 YW03000300000	YW03000301100 YW03000300000	YW03000301100 YW03000300000
2	Frame base	-	-	-
3	Standing post	-	-	-
4	Blower*	BM30224000050	BM30754500050	BM30754500050
5	Blower flange	-	-	-
6	Welded block	-	-	-
7	Main electrical control box	-	-	-
8	Electrical control box	BH31250000150	BH31350000050	BH31350000050
9	Heating case	-	-	-
10	Fixing plate of foot stand	-	-	-
11	Air inlet flange	-	-	-
12	Hoisting ring	-	-	-
13	Lid	-	-	-
14	Down-blowing air pipe	-	-	-
15	Strengthening ring of material tank	-	-	-
16	Sight-glass inner frame	-	-	-
17	Six-point sight-glass window	-	-	-
18	Clearance frame	-	-	-
19	Cleaning door	-	-	-
20	Cleaning door baffle	-	-	-
21	Hopper flange	-	-	-
22	Manual butterfly valve	-	-	-
23	Dropping material receive plate	-	-	-
24	Assembly picture of foot stand	-	-	-
25	Fixing beam of heating case	-	-	-
26	Fixing beam of control box	-	-	-
27	Forklift beam	-	-	-

* means possible broken parts.

** means easy broken part. and spare backup is suggested.

Please confirm the version of manual before placing the purchase order to guarantee that the item number of the spare part is in accordance with the real object.

Table 2-7: Parts List (SHD-5000U~8000U)

No.	Name	Part No.			
		SHD-5000U	SHD-6000U	SHD-7000U	SHD-8000U
1	Castor	YW03000301100 YW03000300000	YW03000301100 YW03000300000	-	-
2	Frame base	-	-	-	-
3	Standing post	-	-	-	-
4	Blower*	YM30001100000	YM30001500000	YM3000150000 0	YM30223400000
5	Blower flange	-	-	-	-
6	Welded block	-	-	-	-
7	Main electrical control box	-	-	-	-
8	Electrical control box	BH31455000050	BH31600000250	-	-
9	Heating case	-	-	-	-
10	Fixing plate of foot stand	-	-	-	-
11	Air inlet flange	-	-	-	-
12	Hoisting ring	-	-	-	-
13	Lid	-	-	-	-
14	Down-blowing air pipe	-	-	-	-
15	Strengthening ring of material tank	-	-	-	-
16	Sight-glass inner frame	-	-	-	-
17	Six-point sight-glass window	-	-	-	-
18	Clearance frame	-	-	-	-
19	Cleaning door	-	-	-	-
20	Cleaning door baffle	-	-	-	-
21	Hopper flange	-	-	-	-
22	Manual butterfly valve	-	-	-	-
23	Dropping material receive plate	-	-	-	-
24	Assembly picture of foot stand	-	-	-	-
25	Fixing beam of heating case	-	-	-	-
26	Fixing beam of control box	-	-	-	-
27	Forklift beam	-	-	-	-

* means possible broken parts. ** means easy broken part. and spare backup is suggested. Please confirm the version of manual before placing the purchase order to guarantee that the item number of the spare part is in accordance with the real object.