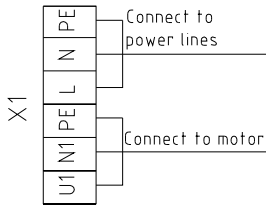
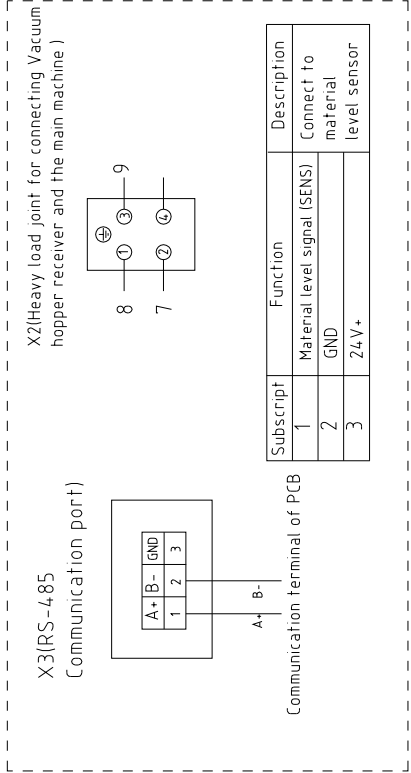
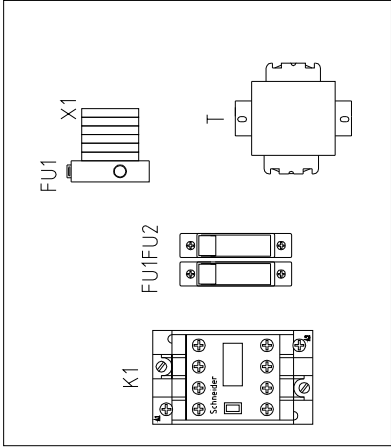
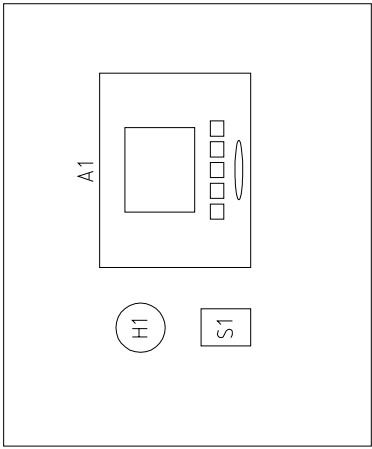


版本	Ver E	1	2	3	4	5	6	7	8	Page 1	Totally 3	Pages
	Scale											
Title										Drawing No		
SAL-700G										SAL-700G-CE-230V-D-1		
Main Circuit Diagram												
SHINI										信易電熱機械股份有限公司 Shini Plastics Technologies, Inc.		
Mark	Before modification	Modified by	Modify date	Checked by	Date							
			20180827									

A B C D



版本 Ver E

D	Drawer	Version	Title	Drawing NO	Scale	Page
	Designer	Approved by	SAL-700G	SAL-700G-CE-230V-D-2	Standard	2
Mark	Proofread by	Date	Electrical Components Layout		Voltage	Totally
	Checked by	20180827	SHINI		Frequency	3
After modification	Modified by		信易電熱機械股份有限公司 Shini Plastics Technologies, Inc.		1/230V	Pages
Before modification	Modify date		SHINI		50/60HZ	8

