

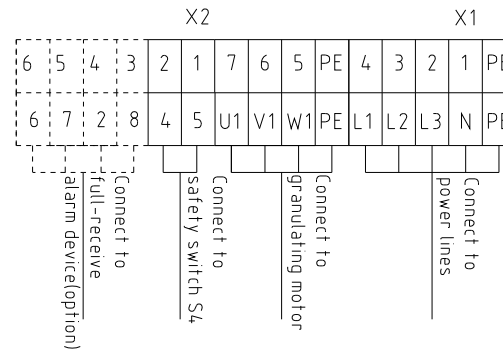
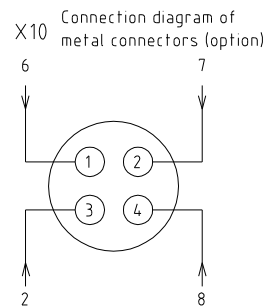
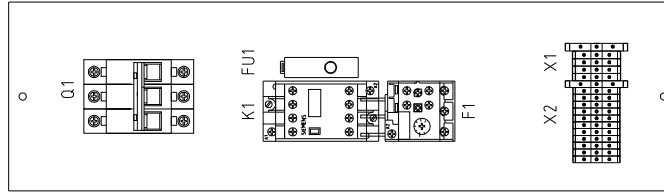
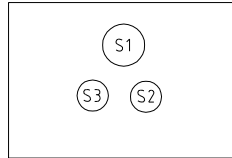
版本 Ver.A

Mark	Before modification	After modification	Modified by	Modify date	Checked by	Date	20170310
Drawer					Version	0	
Designer					Approved by		
Proofread by							

Title		SG-2130EB		Drawing NO		Scale		Page 1	
Main Circuit Diagram and Control Circuit Diagram		SG-2130EB-GB-400V-0-1		Standard		GB		Totally 3 Pages	
				Voltage		400V			
				Frequency		50Hz			



1 2 3 4 5 6 7 8



版本 Ver.A

Mark	Before modification	After modification	Modified by	Modify date	Checked by	Date	20170310
Drawer					Version	0	Title
Designer					Approved by		SG-2130EB
Proofread by							SG-2130EB-GB-400V-0-2

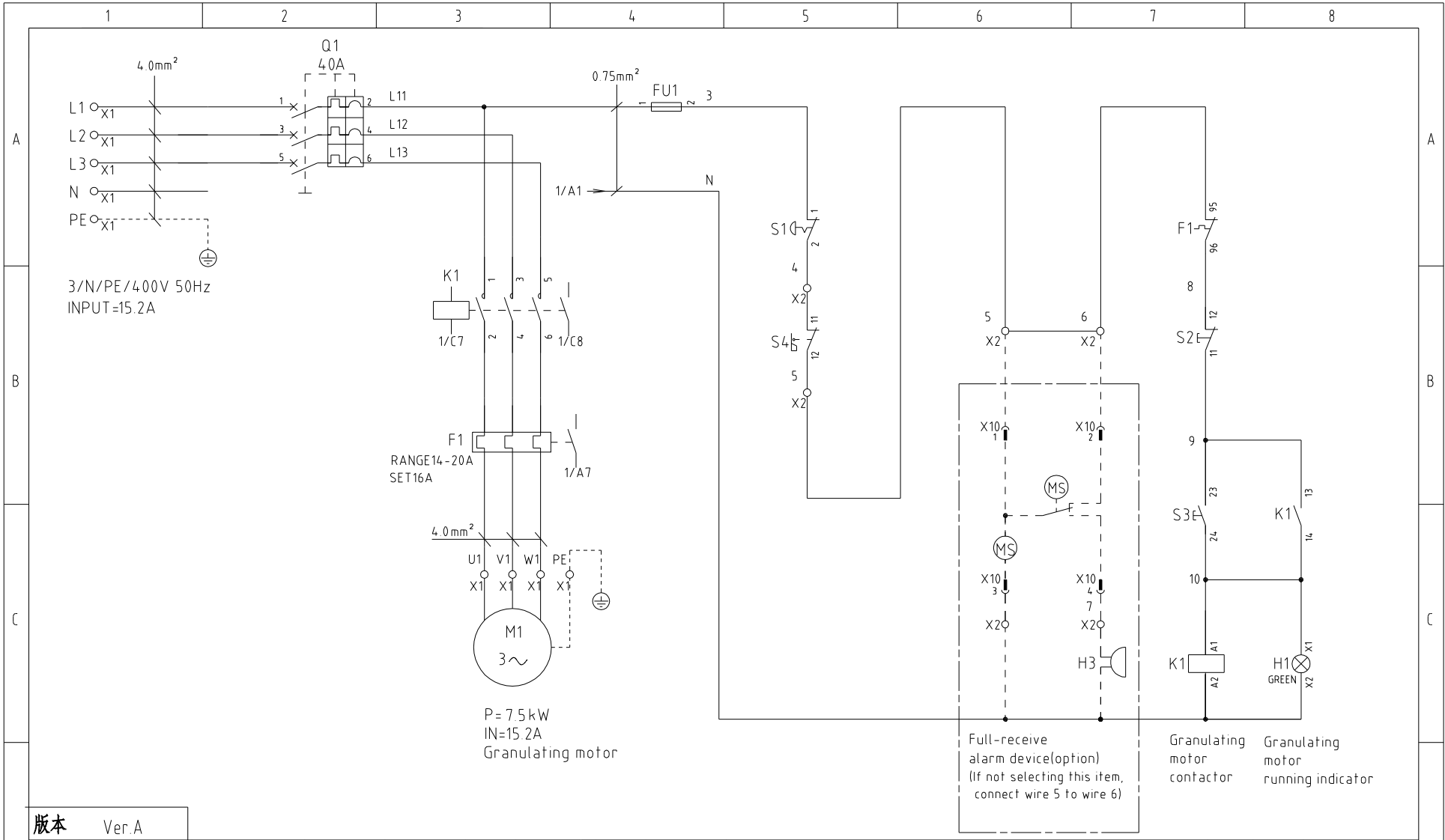
SG-2130EB  
 Electrical Components Layout  
 Drawing NO  
 SG-2130EB-GB-400V-0-2

**SHINI** 信易電熱機械股份有限公司  
 Shini Plastics Technologies, Inc.

Scale	Page	2
Standard	GB	Totally 3 Pages
Voltage	400V	
Frequency	50Hz	

1 2 3 4 5 6 7 8





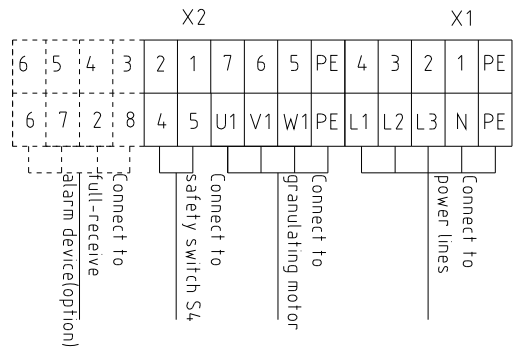
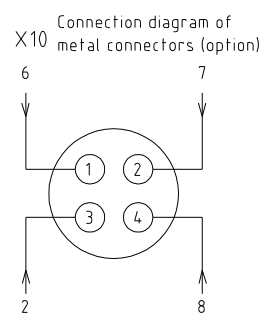
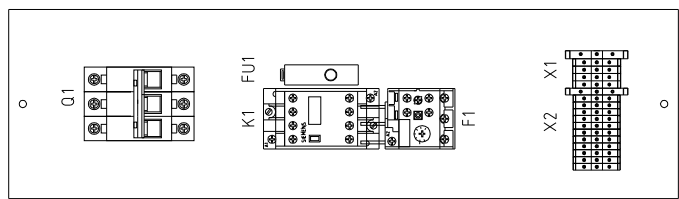
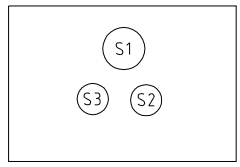
版本 Ver.A

Mark	Before modification	After modification	Modified by	Modify date	Checked by	Date	20170310
Drawer					Version	0	
Designer					Approved by		
Proofread by							

Title SG-2540EB Main Circuit Diagram and Control Circuit Diagram		Drawing NO SG-2540EB-GB-400V-0-1		Scale	Page 1
Standard		GB		Totally 3 Pages	
Voltage		400V			
Frequency		50Hz			

**SHINI** 信易電熱機械股份有限公司  
 Shini Plastics Technologies, Inc.

1 2 3 4 5 6 7 8



版本 Ver.A

		Drawer	Version	0	Title	SG-2540EB	Drawing NO	Scale	Page	2
		Designer	Approved by		Electrical Components Layout	SG-2540EB-GB-400V-0-2	Standard	GB	Totally	3 Pages
		Proofread by	Checked by		<b>信易電熱機械股份有限公司</b> <b>Shini Plastics Technologies, Inc.</b>		Voltage		400V	
Mark	Before modification	After modification	Modified by	Modify date			Frequency		50Hz	

1 2 3 4 5 6 7 8

B

C

D

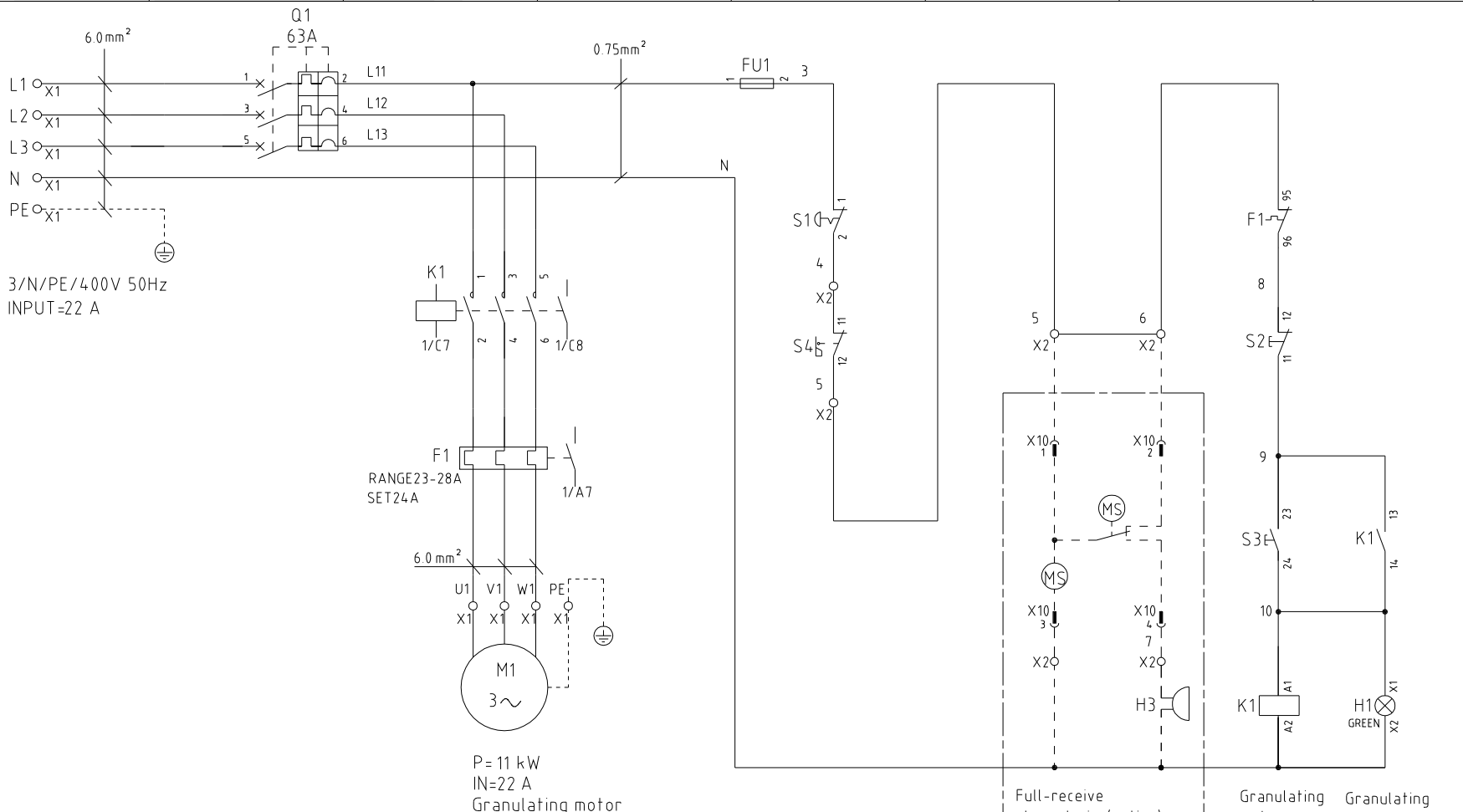
A

B

C

D





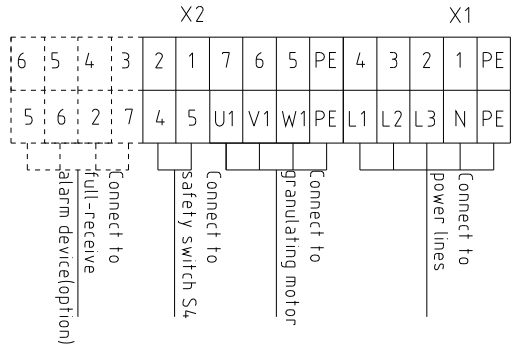
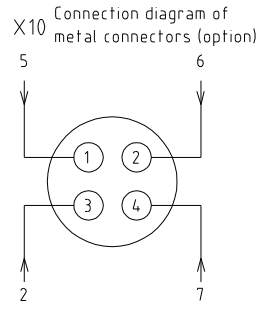
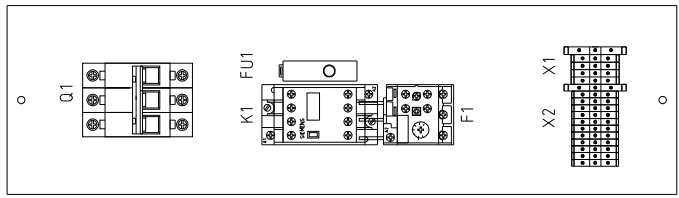
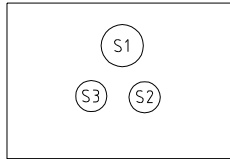
版本 Ver.A

Mark	Before modification	After modification	Modified by	Modify date	Checked by	Date	20170310
Drawer					Version	0	
Designer					Approved by		
Proofread by							

Title		SG-2950EB		Drawing NO		SG-2950EB-GB-400V-0-1	
Main Circuit Diagram and Control Circuit Diagram				Scale		Page 1	
				Standard		GB	
				Voltage		400V	
				Frequency		50Hz	
				Totally		3 Pages	



1 2 3 4 5 6 7 8



版本 Ver.A

Mark	Before modification	After modification	Modified by	Modify date	Checked by	Date	20170310
					Proofread by	Approved by	
					Designer	Version	0
					Drawer		

Title SG-2950EB  
 Electrical Components Layout  
 Drawing NO SG-2950EB-GB-400V-0-2



Scale	Page 2
Standard GB	Totally 3 Pages
Voltage	400V
Frequency	50Hz

1 2 3 4 5 6 7 8



1		2		3		4		5		6		7		8	
NO.	Symbol	Name		Manufacturer		Type		Specification		Number	Material number		Remark		
1	Q1	Circuit breaker		TECO		BM-63C/3063S		63A		1	YE40306303000				
2	K1	Contactor		SIEMENS		3RT6027-1AN20		220V 50/60Hz		1	YE00602722000				
3	F1	Overload relay		SIEMENS		3RU6126-4NB0		23-28A		1	YE01612620000				
4	FU1	Fuse		YINDA		FS-10		2A		1	YE41001000000				
5	X1	Terminal		HONEYWELL		6.0mm <sup>2</sup>		GK6		7	YE60000603200				
6				HONEYWELL		6.0mm <sup>2</sup> PE		GK6.0 PE		2	YE60000603500				
7	X2	Terminal		HONEYWELL		2.5mm <sup>2</sup>		SK2.5		2	YE60002503200				
8				HONEYWELL		2.5mm <sup>2</sup> PE		GK2.5 PE		4	YE60002503200		(2)		
9	H3	Buzzer		TEND		EA-2		220VAC		1	YE84222000000		(1)(2)		
10	S1	Emergency stop button		ABB		MPET4-10R+MCBH-00+MCB-01		1NC		1	YE11411000000		(1)		
11	S2	Stop button		ABB		CP1-10B-01		1NC		1	YE11113100000		(1)		
12	S3,H1	Start button		ABB		CP1-13G-10		1NO		1	YE11100100000		(1)		
13	S4	Safety switch		SCHMERSRC		AZ15-02ZVRK-1476		AZ-15		1	YE16147600100		(1)		
14	MS	Material level sensor		SIPAI		SR-80		220VAC		1	YE15000200100		(1)(2)		
15	X10	Metal tie in		APEX		PLT-254-PM		4P		1	YE68025400000		(1)(2)		
16				APEX		PLT-254-RF		4P		1	YE68025400100		(1)(2)		
17	M1	Granulating motor		-----		11kW		400V 50Hz		1	-----		(1)		
18		Cable 6.0x5Cx5M						BA		1.00	BE51060500250		(1)		
<b>版本</b> Ver.A Notes: (1)Means it's not the material inside the control box.(2)Means optional accessories of full-receive alarm device.															
Mark		Before modification	After modification	Modified by	Modify date	Checked by	Date	20170310	<b>SHINI</b> 信易電熱機械股份有限公司 Shini Plastics Technologies, Inc.		Voltage 400V Frequency 50Hz				
1		2		3		4		5		6		7		8	

A

A

B

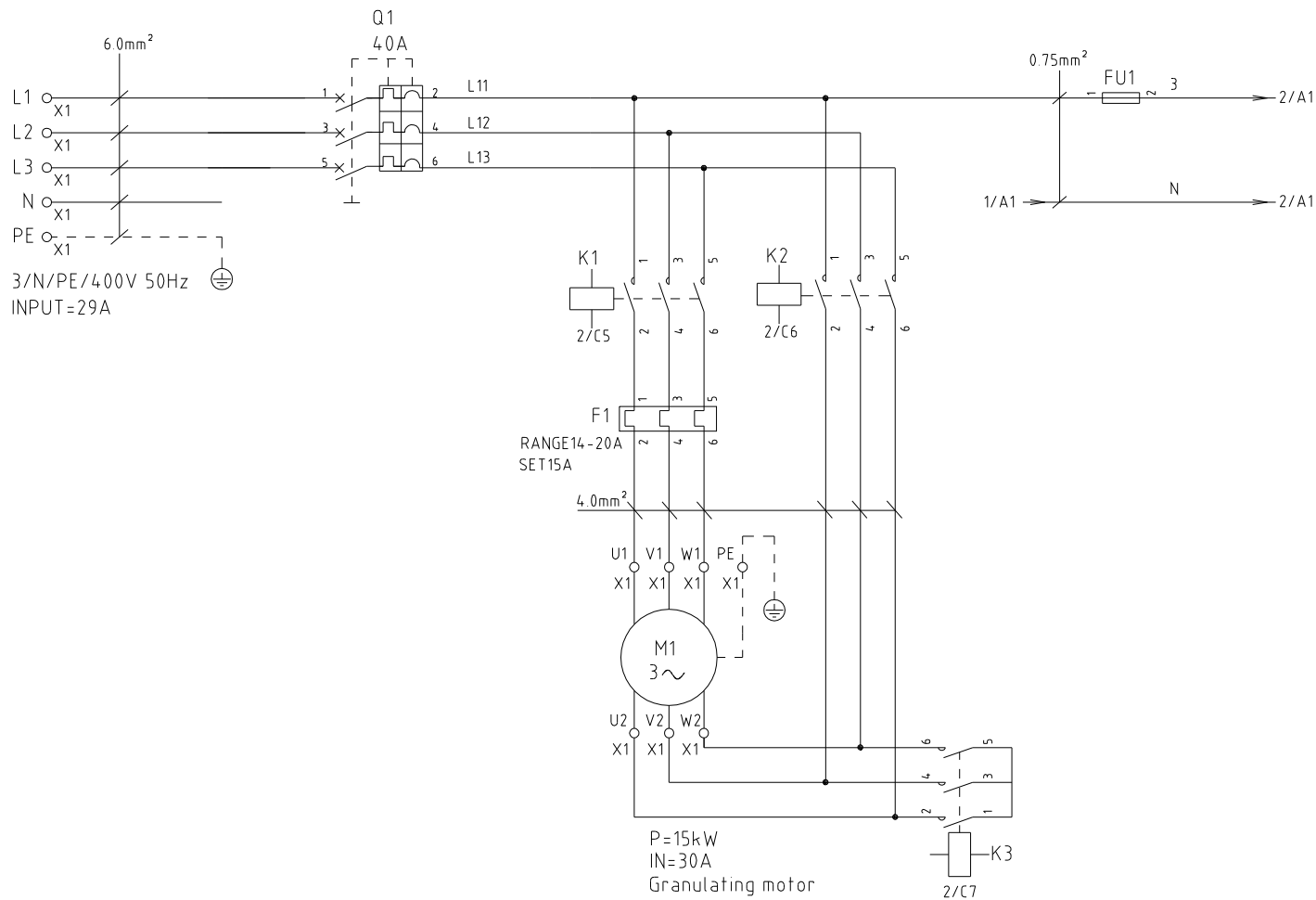
B

C

C

D

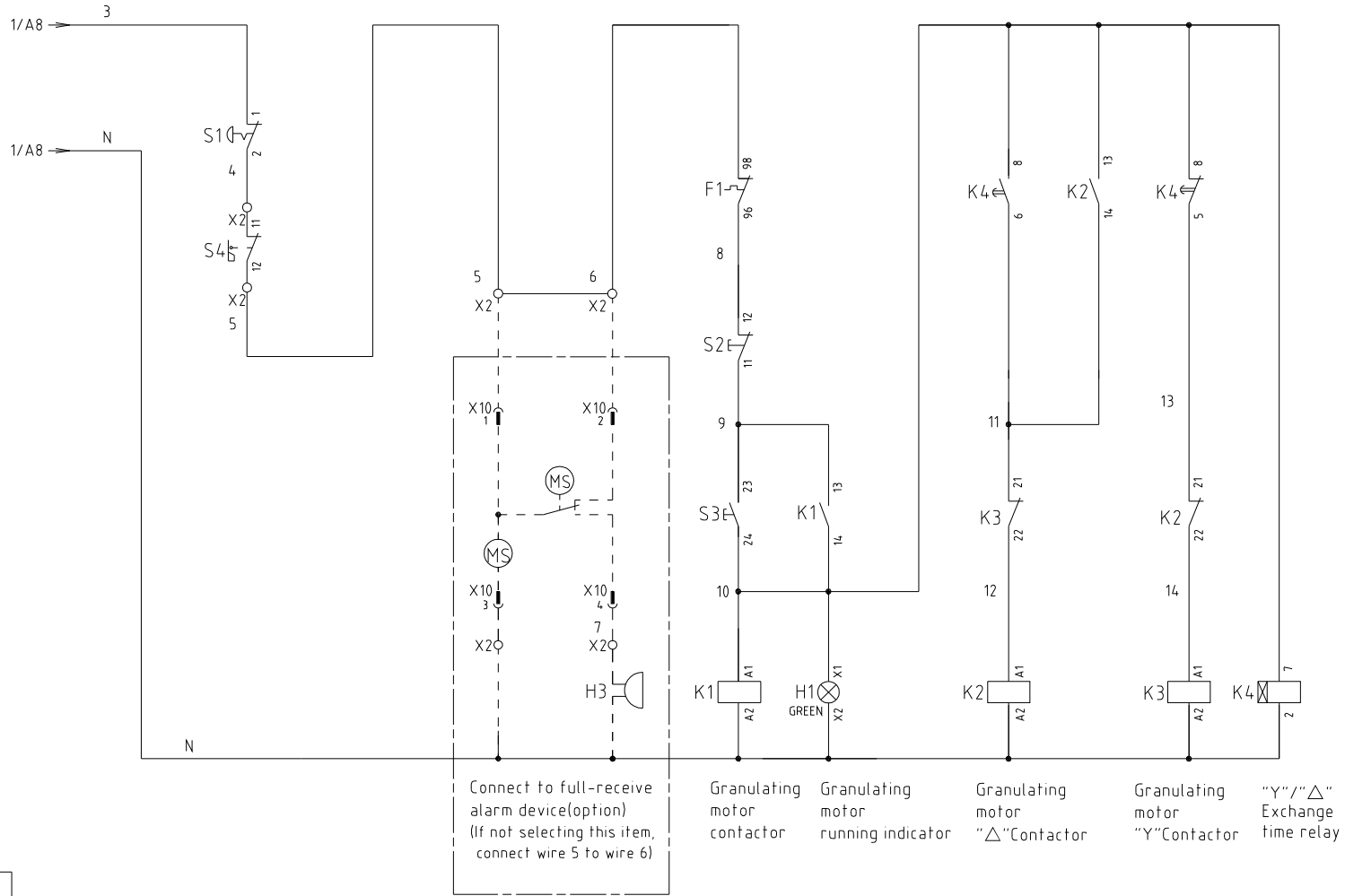
D



版本 Ver.A

Mark	Before modification	After modification	Modified by	Modify date	Checked by	Date	20170227	<b>SHINI</b> 信易電熱機械股份有限公司 Shini Plastics Technologies, Inc.	Voltage 3/N/400V  Frequency 50Hz
	Designer	Proofread by	Approved by	Version	0	Title	SG-3260EB Main Circuit Diagram		
	Drawer	Version	0	Title	SG-3260EB Main Circuit Diagram	Drawing NO	SG-3260EB-GB-400V-0-1		
	Scale	Page	1	Standard	GB	Totally	4 Pages		

1 2 3 4 5 6 7 8



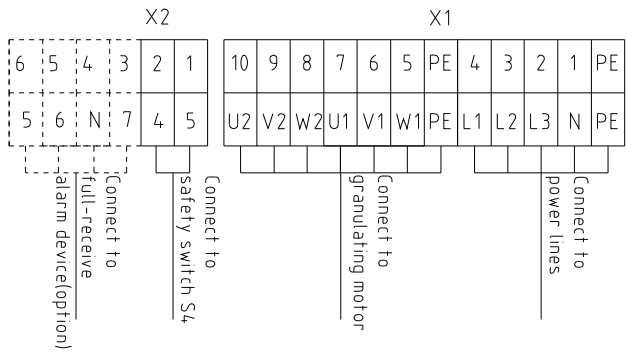
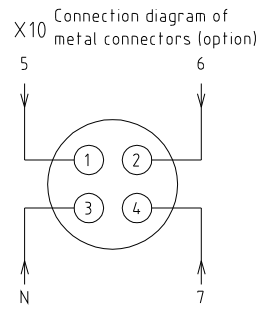
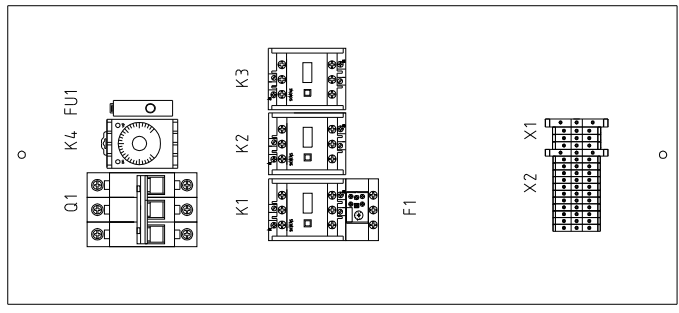
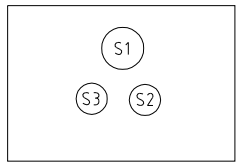
版本 Ver.A

Mark	Before modification	After modification	Modified by	Modify date	Checked by	Date	20170227
					Proofread by	Approved by	
					Designer	Version	0
					Drawer		

Title		SG-3260EB		Drawing NO		SG-3260EB-GB-400V-0-2	
Control Circuit Diagram				Scale		Page 2	
				Standard		GB	
				Voltage		3/N/400V	
				Frequency		50Hz	
				Totally		4 Pages	

**SHINI** 信易電熱機械股份有限公司  
Shini Plastics Technologies, Inc.

1 2 3 4 5 6 7 8



版本 Ver.A

Mark	Before modification	After modification	Modified by	Modify date	Checked by	Date	20170227
					Proofread by	Approved by	
					Designer	Version	0
					Drawer		

Title SG-3260EB  
Electrical Components Layout

Drawing NO SG-3260EB-GB-400V-0-3



Scale	Page 3
Standard GB	Totally 4 Pages
Voltage	3/N/400V
Frequency	50Hz

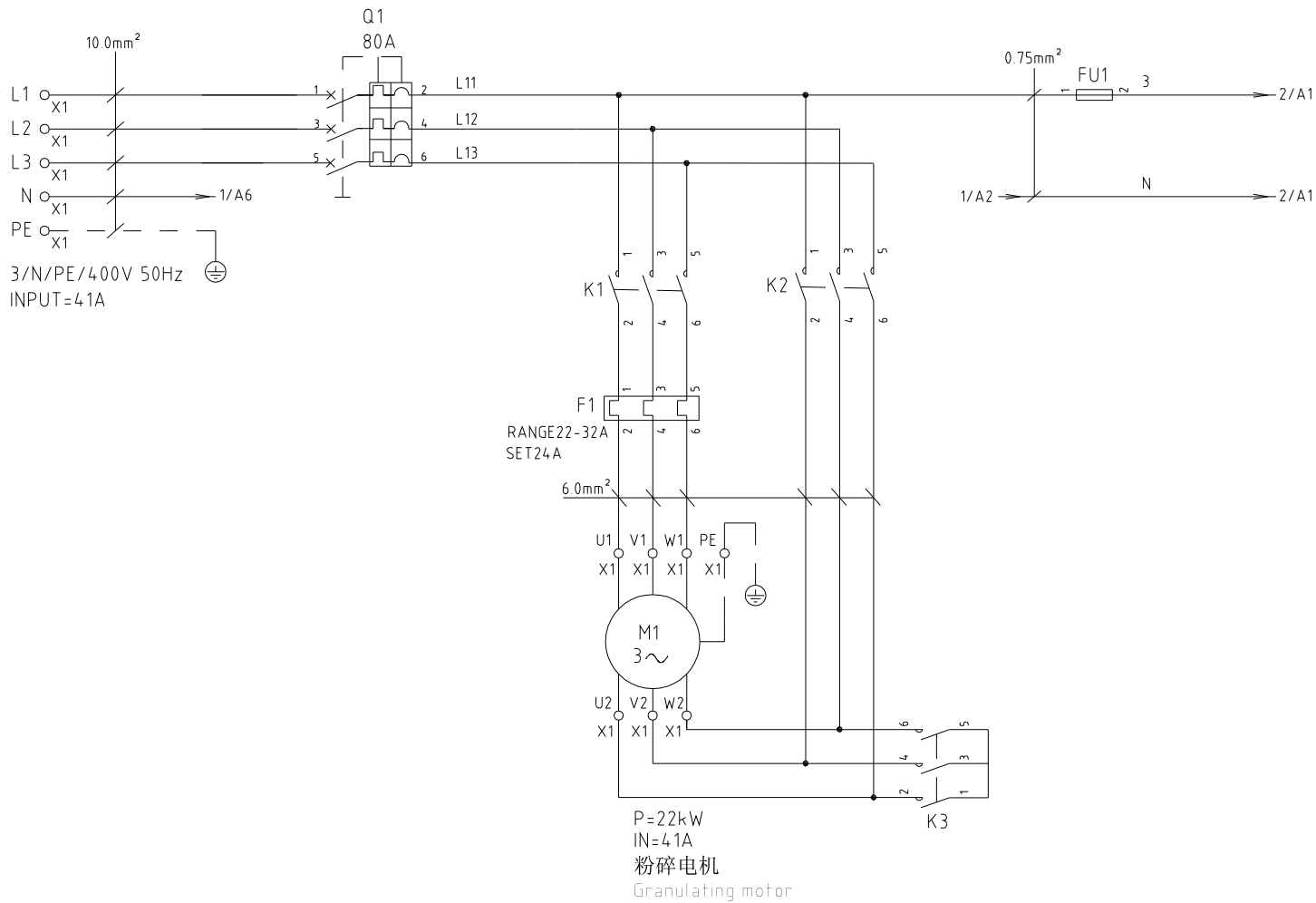
1 2 3 4 5 6 7 8


1		2		3		4		5		6		7		8	
NO.	Symbol	Name		Manufacturer		Type		Specification		Number	Material number		Remark		
1	Q1	Circuit breaker		TECO		BM-63C/3040S		40A		1	YE40304003000				
2	K1K2	Contactor		SIEMENS		3RT6028-1AN20		220V 50/60Hz		2	YE00602822000				
3	K3	Contactor		SIEMENS		3RT6027-1AN20		220V 50/60Hz		1	YE00602722000				
4	F1	Overload relay		SIEMENS		3RU6126-4BB0		14-20A		1	YE01260140000				
5	FU1	Fuse		YINDA		FS-10		2A		1	YE41001000000				
6	K4	Timer relay		YUYUN		TH3M-NAB		3S~60M 230VAC		1	YE86300300000				
7	X1	Terminal		HONEYWELL		2.5mm <sup>2</sup>		SK2.5		2	YE60002503200				
8				HONEYWELL		2.5mm <sup>2</sup>		SK2.5		4	YE60002503400		(2)		
9				HONEYWELL		4.0mm <sup>2</sup>		SK4.0		6	YE60000403200				
10				HONEYWELL		4.0mm <sup>2</sup> PE		GK4.0 PE		1	YE60000403500				
11	X2	Terminal		HONEYWELL		6.0mm <sup>2</sup>		SK6.0		4	YE60000603200				
12				HONEYWELL		6.0mm <sup>2</sup> PE		GK6.0 PE		1	YE60000603500				
13	H3	Buzzer		TEND		EA-2		220VAC		1	YE84222000000		(1)(2)		
14	S1	Emergency stop button		ABB		MPET4-10R+MCBH-00+MCB-01		1NC		1	YE11411000000		(1)		
15	S2	Stop button		ABB		CP1-10B-01		1NC		1	YE11113100000		(1)		
16	S3,H1	Start button		ABB		CP1-13G-10		1NO		1	YE11100100000		(1)		
17	S4	Safety switch		SCHMERSRC		AZ15-02ZVRK-1476		AZ-15		1	YE16147600100		(1)		
18	MS	Material level sensor		SIPAI		SR-80		220VAC		1	YE15000200100		(1)(2)		
19	X10	Metal tie in		APEX		PLT-254-PM		4P		1	YE68025400000		(1)(2)		
20				APEX		PLT-254-RF		4P		1	YE68025400100		(1)(2)		
21	M1	Granulating motor		-----		15kW		400V 50Hz		1	-----		(1)		

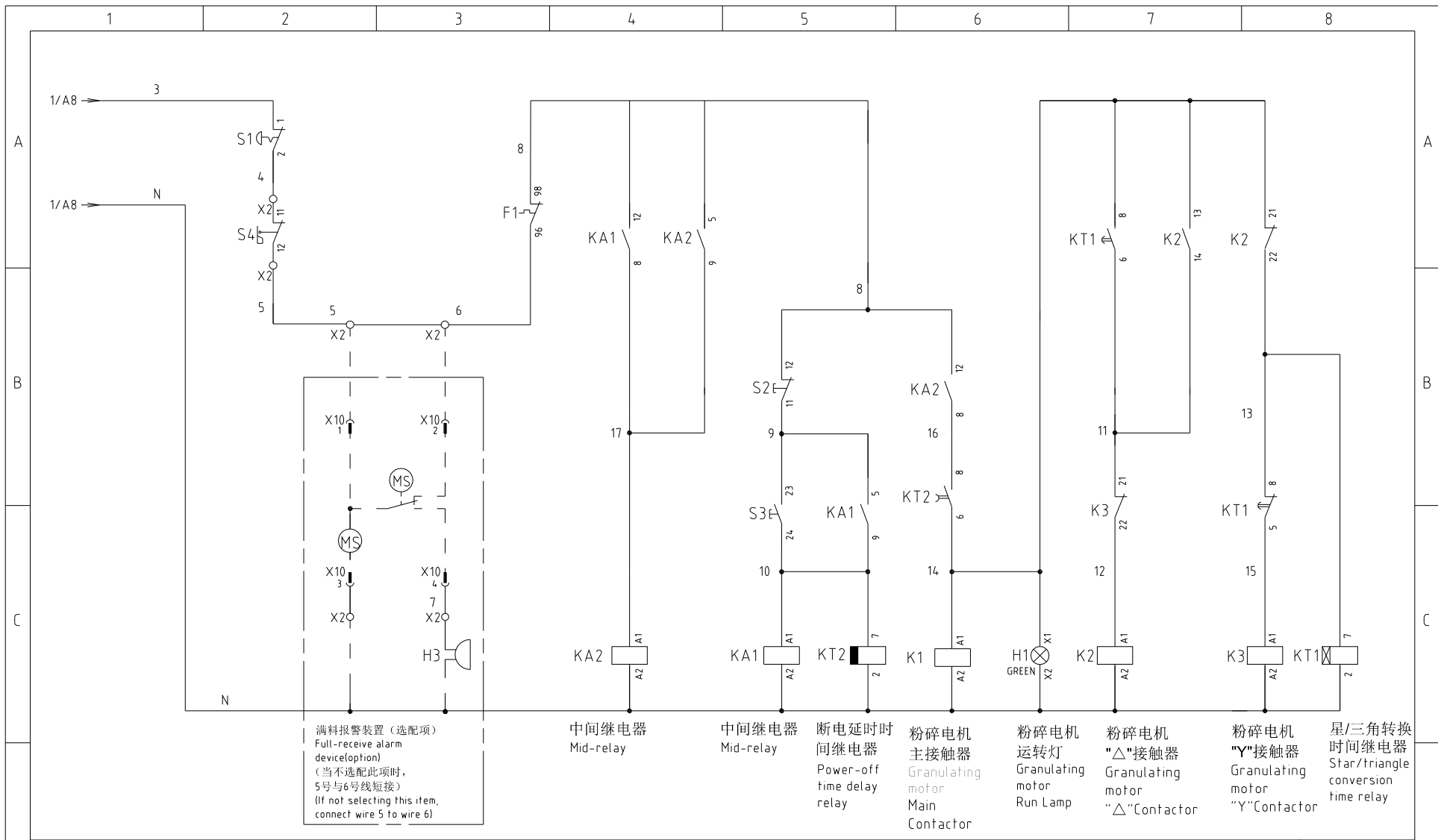
版本 Ver.A Notes: (1)Means it's not the material inside the control box.(2)Means optional accessories of full-receive alarm device.

D	Mark	Before modification	After modification	Modified by	Modify date	Checked by	Date	20170227	Drawer	Version	0	Title	SG-3260EB	Drawing NO	SG-3260EB-GB-400V-0-4	Scale	Page	4
						Designer	Approved by					Electrical Components List			Standard	GB	Totally	4 Pages
						Proofread by										Voltage	3/N/400V	
																Frequency	50Hz	
	1	2		3		4		5		6		7		8				

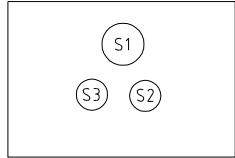
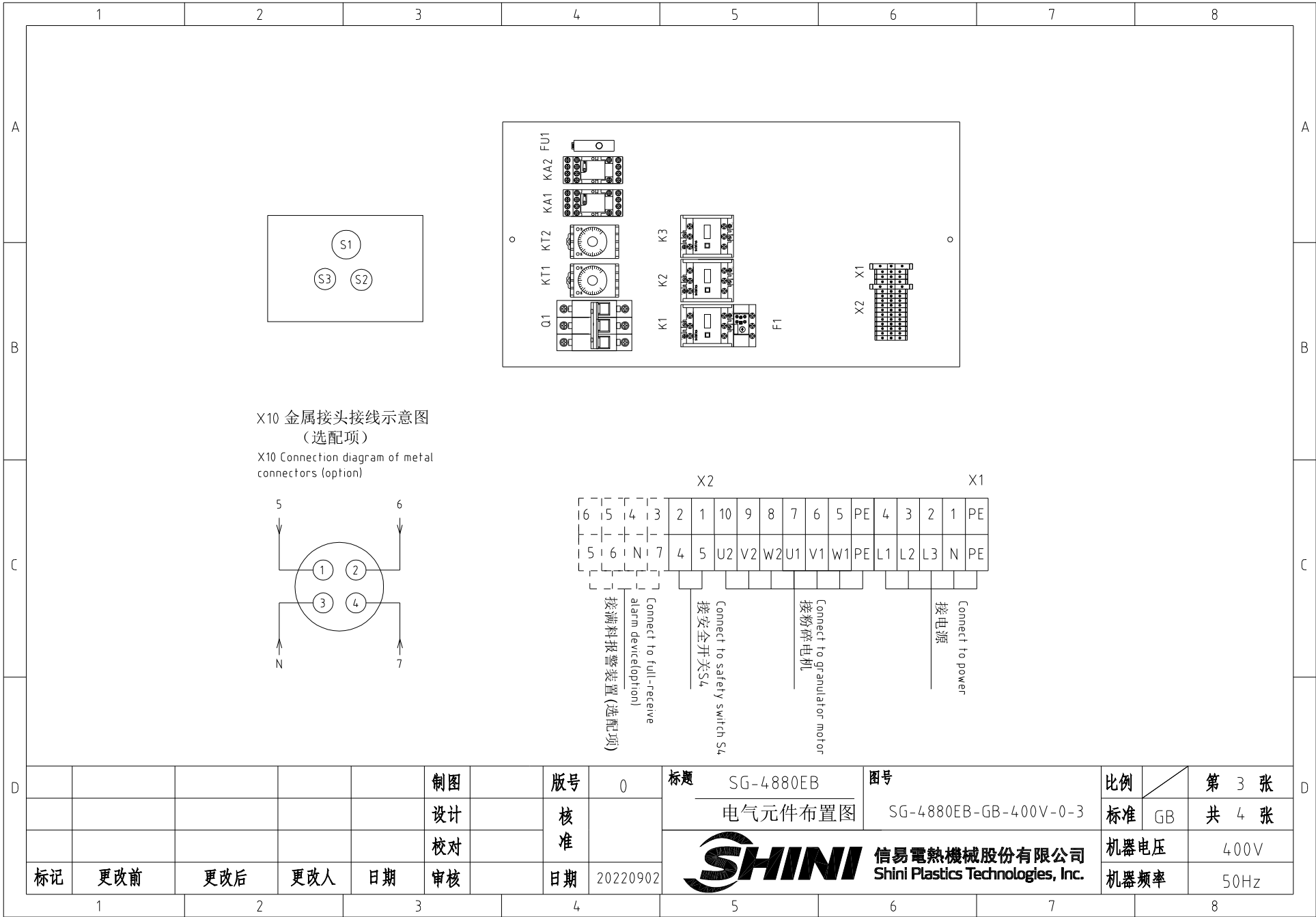




					制图	版号	0	标题	SG-4880EB	图号	比例	第 1 张
					设计	核		主电路图	SG-4880EB-GB-400V-0-1	标准	GB	共 4 张
					校对	准		 <b>信易電熱機械股份有限公司</b> <b>Shini Plastics Technologies, Inc.</b>		机器电压	400V	
标记	更改前	更改后	更改人	日期	审核	日期	20220902			机器频率	50Hz	

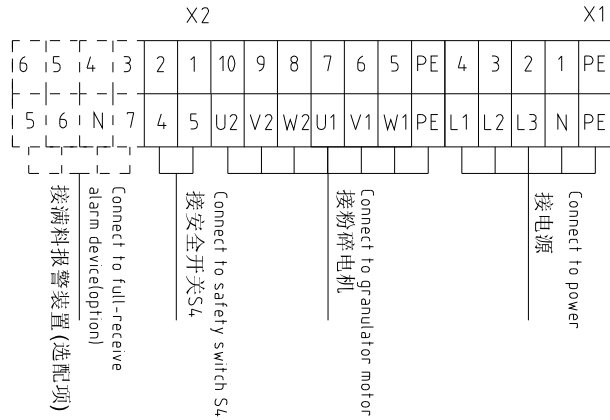
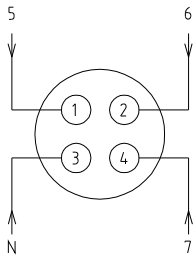


					制图	版号	0	标题	SG-4880EB	图号	比例	第 2 张
					设计	核准		控制电路图	SG-4880EB-GB-400V-0-2		标准	共 4 张
					校对			<b>信易电热机械股份有限公司</b> <b>Shini Plastics Technologies, Inc.</b>	机器电压	400V		
标记	更改前	更改后	更改人	日期	审核	日期	20220902		机器频率	50Hz		



X10 金属接头接线示意图  
(选配项)

X10 Connection diagram of metal connectors (option)



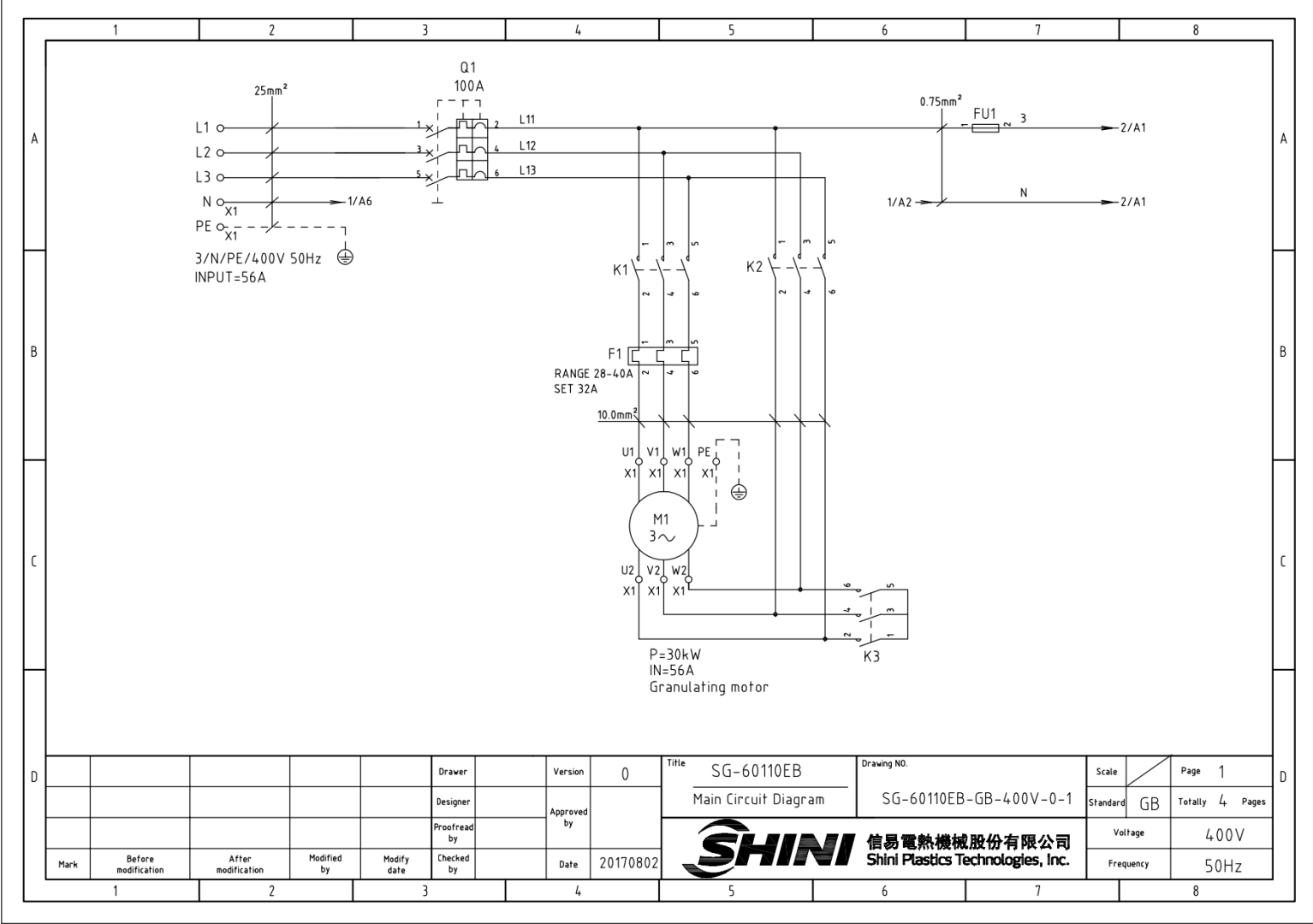
					制图	版号	0	标题	SG-4880EB	图号	比例	第 3 张
					设计	核		电气元件布置图	SG-4880EB-GB-400V-0-3	标准	GB	共 4 张
					校对	准		信易电热机械股份有限公司 Shini Plastics Technologies, Inc.		机器电压		400V
标记	更改前	更改后	更改人	日期	审核	日期	20220902			机器频率		50Hz





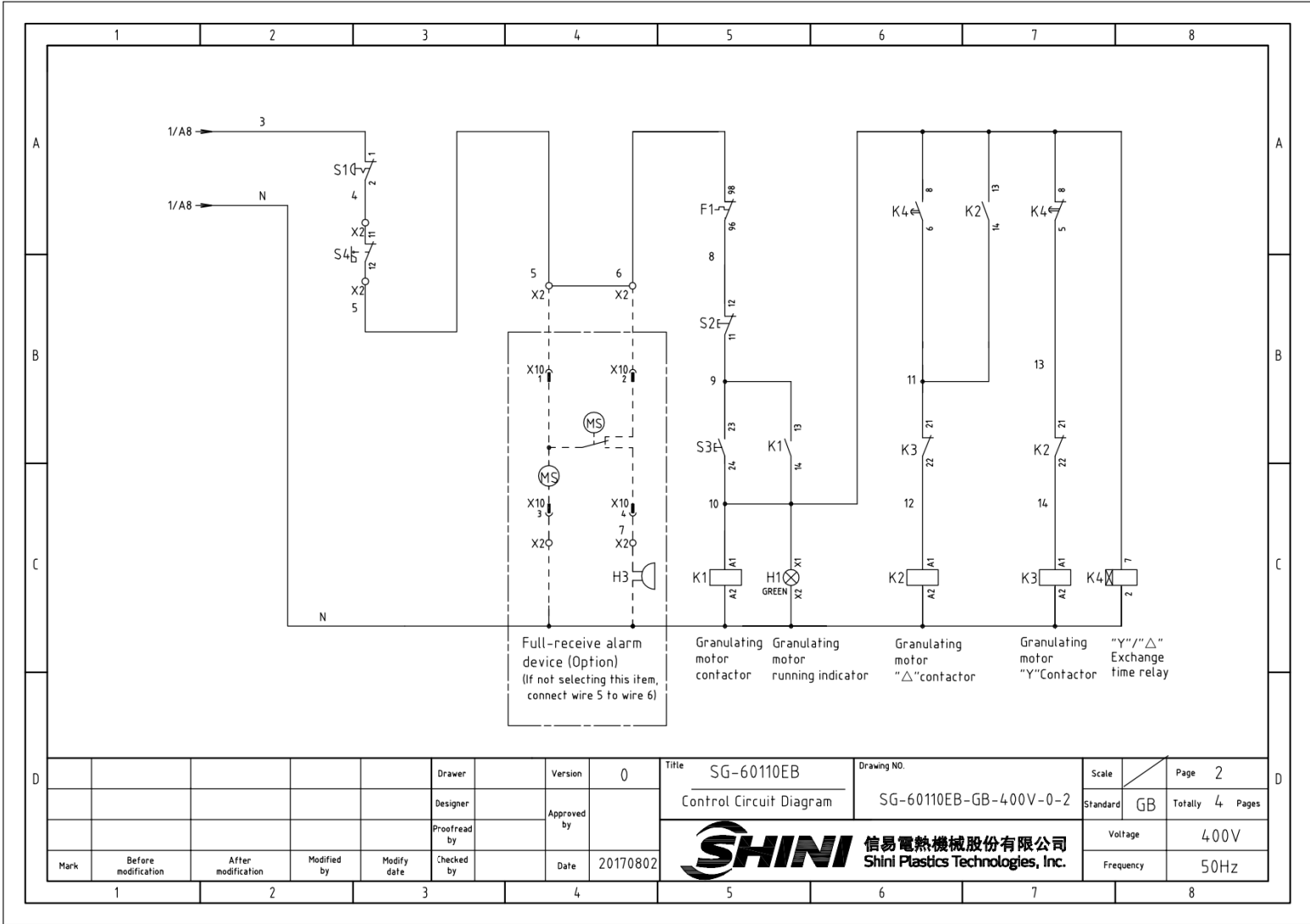
1		2		3		4		5		6		7		8	
序号/NO	符号/Symbol	名称/Name		制造商/Manufacturer		型号/Type		规格/Specification		数量/Number	物料编号/Material number		备注/Remark		
1	KA1	中间继电器 Mid-relay		-----		DRM570730LT		220V		2	YE03570700000				
2	KT2	断电延时继电器 Power-off time delay relay		T&C		TRF-N/3M		220VAC		1	YE86322000000				
A	3													A	
	4														
	5														
	6														
	7														
	8														
B	9													B	
	10														
	11														
	12														
	13														
	14														
	15														
	16														
C	17													C	
	18														
	19														
版本 Ver.A		注：(1)表示非电控箱内材料;(2)表示满料报警装置选配件。Notes: (1)Means it's not the material inside the control box. 2)Means optional accessories of full-receive alarm device.													
D					制图		版号	0	标题	SG-4880EB	图号		比例		第4/1张
					设计		核 准		电气元件明细表	SG-4880EB-GB-400V-0-4/1		标准	GB	共4张	
					校对				 <b>信易電熱機械股份有限公司</b> <b>Shini Plastics Technologies, Inc.</b>	机器电压	400V				
	标记	更改前	更改后	更改人	日期	审核	日期	20220902		机器频率	50Hz				
1		2		3		4		5		6		7		8	

1. Main Circuit (SG-60110EB) (400V)

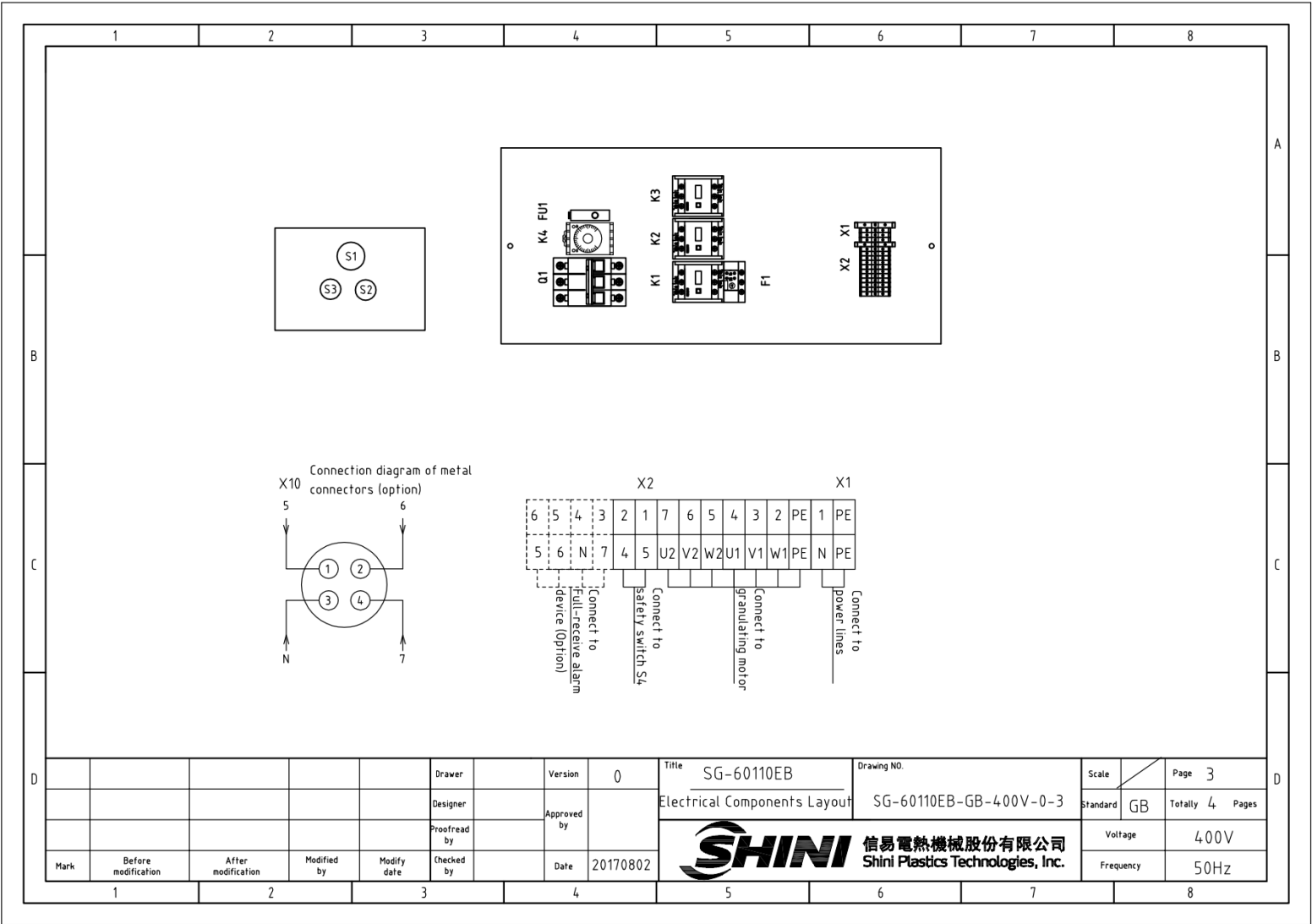


				Drawer	Version	0	Title	SG-60110EB	Drawing NO.	Scale	Page	1
				Designer	Approved by		Main Circuit Diagram	SG-60110EB-GB-400V-0-1	Standard	GB	Totally	4 Pages
				Proofread by	Checked by	Date	信易電熱機械股份有限公司 Shini Plastics Technologies, Inc.		Voltage	400V		
Mark	Before modification	After modification	Modified by	Modify date	Checked by	Date	20170802		Frequency	50Hz		

2. Control Circuit Diagram (SG-60110EB) (400V)



### 3. Electrical Components Layout (SG-60110EB) (400V)



				Drawer		Version		Title		Drawing NO.		Scale		Page	
						0		SG-60110EB		SG-60110EB-GB-400V-0-3		GB		3	
				Designer		Approved by		Electrical Components Layout				Standard		Totally 4 Pages	
				Proofread by		Date		SHINI		信易電熱機械股份有限公司		Voltage		400V	
Mark		Before modification		After modification		Modify date		SHINI		Shini Plastics Technologies, Inc.		Frequency		50Hz	
1		2		3		4		5		6		7		8	

Table 3-1: Electrical Components List (SG-60110EB)(400V)

NO.	Symbol	Name	Specification	Part NO.	Note
1	Q1	Circuit braker *	100A	YE40310003000	-
2	K1 K2	Contactora **	220VAC 50/60Hz	YE00503600000	-
3	K3	Contactora **	220VAC 50/60Hz	YE00503500000	-
4		Auxiliary contactora	1NC	YE00592110100	
5		Auxiliary contactora	1NO	YE00592110000	
6	F1	Thermo overload relay	28-40A	YE01513600100	-
7	FU1	Fuse **	2A	YE41001000000	-
8	K4	Time relay	3S-60M 230VAC	YE86300300000	-
9	X1	Terminal board	35mm <sup>2</sup>	YE60003503200	-
10			35mm <sup>2</sup> PE	YE60003503500	-
11			10.0mm <sup>2</sup>	YE60001003200	-
12			10.0mm <sup>2</sup> PE	YE60001003500	-
13	X2	Terminal board	2.5mm <sup>2</sup>	YE61250040000	-
14			2.5mm <sup>2</sup>	YE61250040000	Option
15	H3	Buzzer	220VAC	YE84222000000	Option
16	S1	Emergency stop button	1NC	YE11411000000	-
17	S2	Stop button	1NC	YE11113100000	-
18	S3,H1	Start button	1NO	YE11100100000	-
19	S4	Safety switch	AZ-15	YE16147600100	-
20	MS	Materia level switch	220VAC	YE15000200100	Option
21	X10	Metal joint	4P	YE68025400000	Option
22			4P	YE68025400100	Option
23	M1	Granulating motor	400V 50Hz	-	-

\*means possible broken parts. \*\* means easy broken part. and spare backup is suggested.

Please confirm the version of manual before placing the purchase order to guarantee that the item number of the spare part is in accordance with the real object.