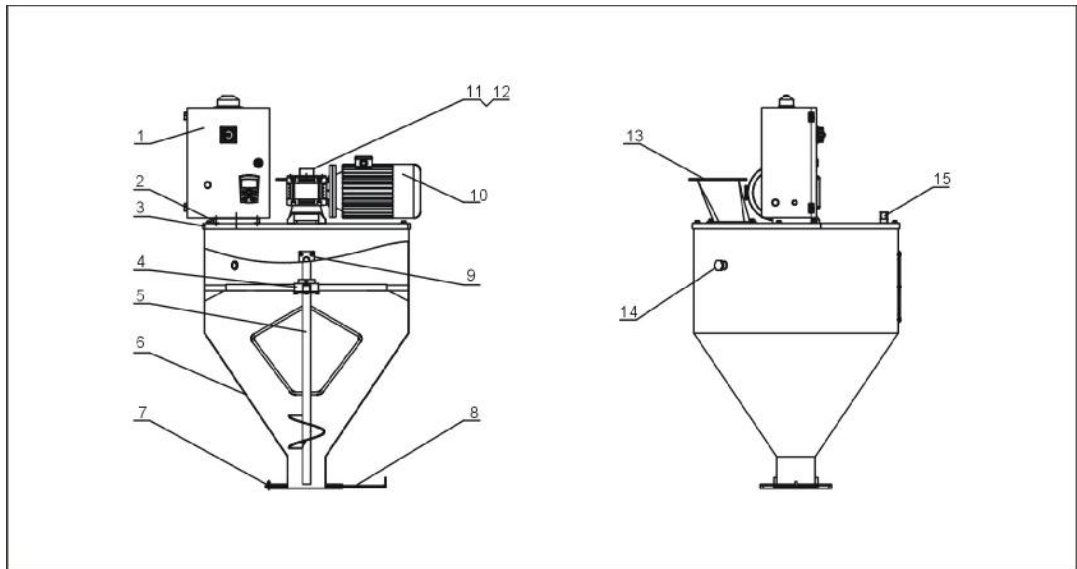


2.2 Drawing and Parts List

2.2.1 Assembly Drawing



Remarks: Please refer to parts list 2-1 for specific explanation of the Arabic numbers in parts drawing.

Picture 2-2: Assembly Drawing

Table 2-1: Parts List

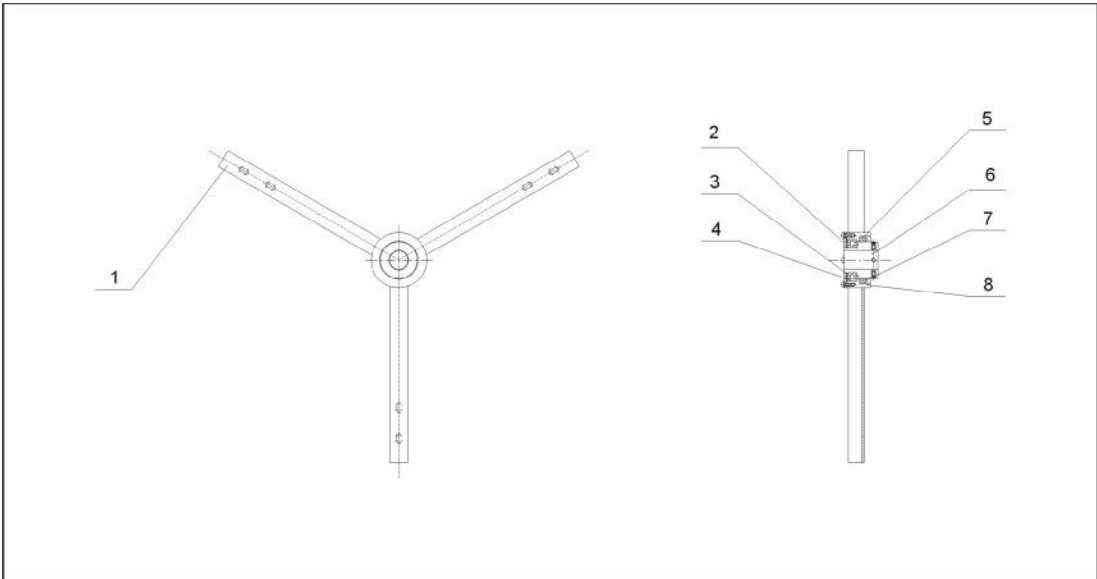
No.	Name	Part No.
1	Control box assembly	-
2	Control box fixing plate	-
3	Lid assembly	-
4	Fixed frame of stirring shaft assembly	-
5	Stir assembly	-
6	Barrel assembly	-
7	Shut-off plate flange	BL90016002620
8	Shut-off plate	-
9	Sight glass six holes assembly	BH90000600050
10	Gear motor*	YM50409000300
11	Motor cover	-
12	Flat key	BH11016002410
13	Adaptor flange	-
14	Plug for level sensor mounting hole	BH12901620010
15	Aluminum Square Handle 120L	BW20012000040

*means possible broken parts.

** means easy broken part. and spare backup is suggested.

Please confirm the version of manual before placing the purchase order to guarantee that the item number of the spare part is in accordance with the real object.

2.2.2 Fixed Frame of Stirring Shaft Assembly



Remarks: Please refer to parts list 2-2 for specific explanation of the Arabic numbers in parts drawing.

Picture 2-3: Fixed frame of stirring shaft assembly

Table 2-2: Parts List

No.	Name	Part No.
1	Bearing base assembly	-
2	Bearing base cover	-
3	Bearing pad	-
4	Deep groove ball bearing 6008, 200°C heat-resistance	YW11600800100
5	Framework oil seal	YR20607800000
6	Shaft	BH11016002510
7	Press piece	-
8	Elastic ring for hole DO=78	YW69007800000

*means possible broken parts.

** means easy broken part. and spare backup is suggested.

Please confirm the version of manual before placing the purchase order to guarantee that the item number of the spare part is in accordance with the real object.