

1.1.2 Parts List (SHR-6U-ES)

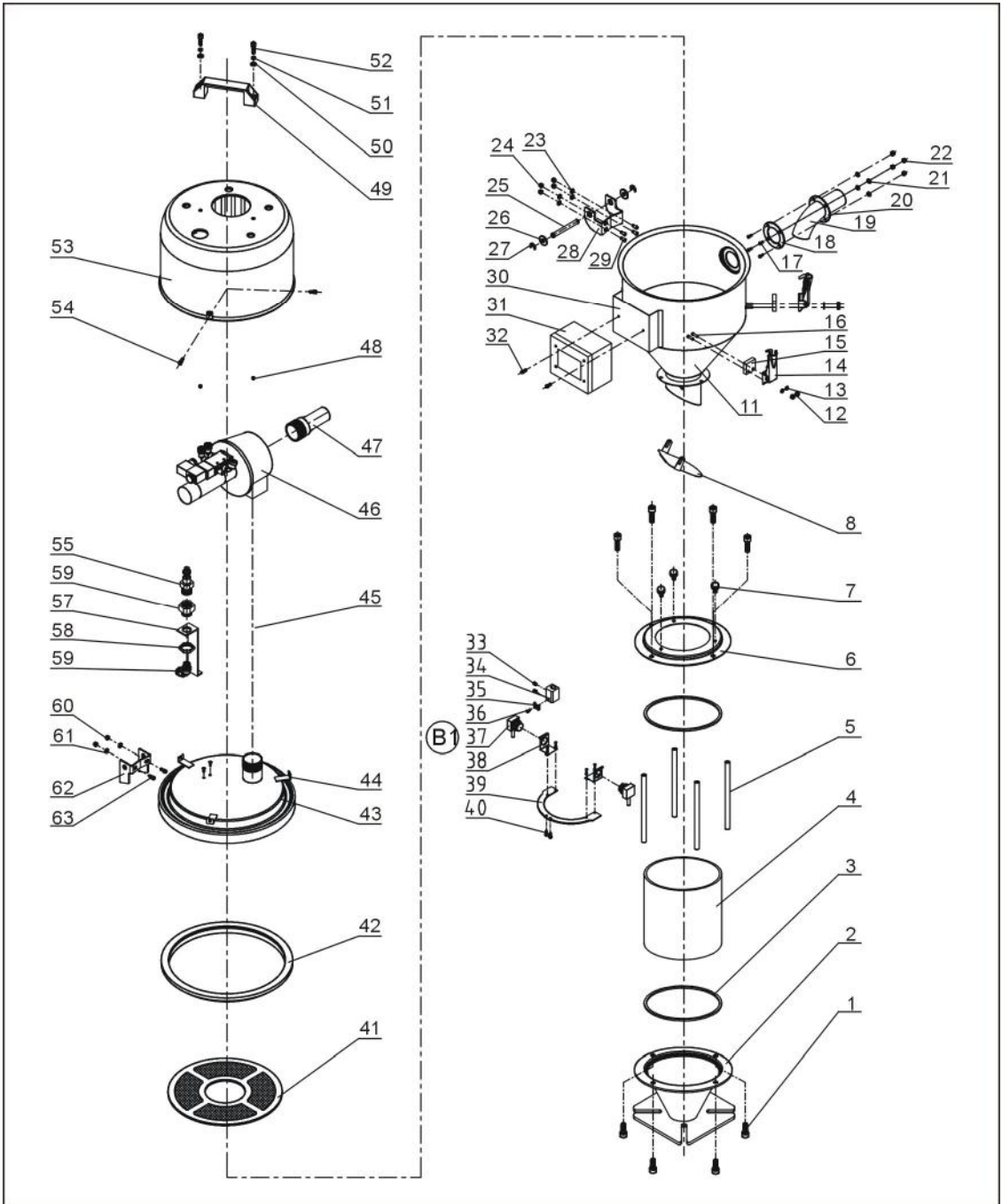
Parts List (SHR-6U-ES)

No.	Name	Stock No.	No.	Name	Stock No.
1	Hexagon socket head cap screw M6×15	YW61061600300	33	Cross recess head screw M4×6	YW63040600000
2	Spring washer 6	YW65006000000	34	Stopper screw M4×5	YW68004500000
3	Flat washer 6	YW66061300000	35	Photosenser base	-
4	Lower flange of glass tube	-	36	Photosenser pressing block	-
5	Glass tube fastener	-	37	Cross recess head screw M4×10	YW63041000000
6	Glass tube	-	38	Photosenser	YE15143900000
7	Connecting rod of flange	-	39	Mounting block of photosenser	-
8	Non-return flap	-	40	Fixed plate of photosenser	-
9	Glass tube upper flange	-	41	Cross recess head screw M4×10	YW63041000000
10	O-ring	YR20802600000	42	Hopper fastener	-
11	3" stainless steel pipe clamp	YW07000300000	43	Filter screen	-
12	Hopper	-	44	Fixed plate of solenoid valve	-
13	LocknutM4×0.7	YW64040700100	45	Diaphragm valve	BY20382400050
14	Flat washer 4	YW66040800000	46	Air suction pipe	-
15	Spring fastener	YW02003000400	47	LocknutM6	YW64000600200
16	Bearer	YR40000600300	48	Motor cover	-
17	Welded stud M4×15	YW69041500100	49	Aluminum square handle L20	BW20012000040
18	Welded stud M4×10	YW69041000000	50	Hexagon socket head cap screw M6×20	YW61062000300
19	Material inlet pipe fastener	-	51	Spring washer 6	YW65006000000
20	Material inlet pipe	-	52	Flat washer 6	YW66061300000
21	Fixed plate of material inlet pipe	-	53	Cross recess head screw M5×15	YW62051500000
22	Flat washer 4	YW66040800000	54	Quick coupling 3" ×1/4PT	YW80031400000
23	LocknutM4×0.7	YW64040700100	55	Copper coupling	-
24	Flat washer 5	YW66051000100	56	Fixed block of air pipe connector	-
25	LocknutM5	YW64000500000	57	Coupling nut	-
26	Hinge	-	58	Quick coupling	YW80081400100
27	Flat washer 8×22	YW66082200100	59	LocknutM5	YW64000500000

28	Split washer 6	YW66000600000	60	Flat washer 5	YW66040800000
29	Upper hinge	-	61	Lower hinge	-
30	Welded stud M5×10	YW69051000000	62	Welded stud M5×10	YW69051000000
31	Electrical cabinet base	-	63	Hopper lid	-
32	Electrical cabinet	YR40010000000	64	Mounting base of motor cover	-

* means possible broken parts. ** means easy broken part. and spare backup is suggested. Please confirm the version of manual before placing the purchase order to guarantee that the item number of the spare part is in accordance with the real object.

1.1.3 Assembly Drawing (SHR-12U-ES)



Assembly Drawing (SHR-12U-ES)

1.1.4 Parts List (SHR-12U-ES)

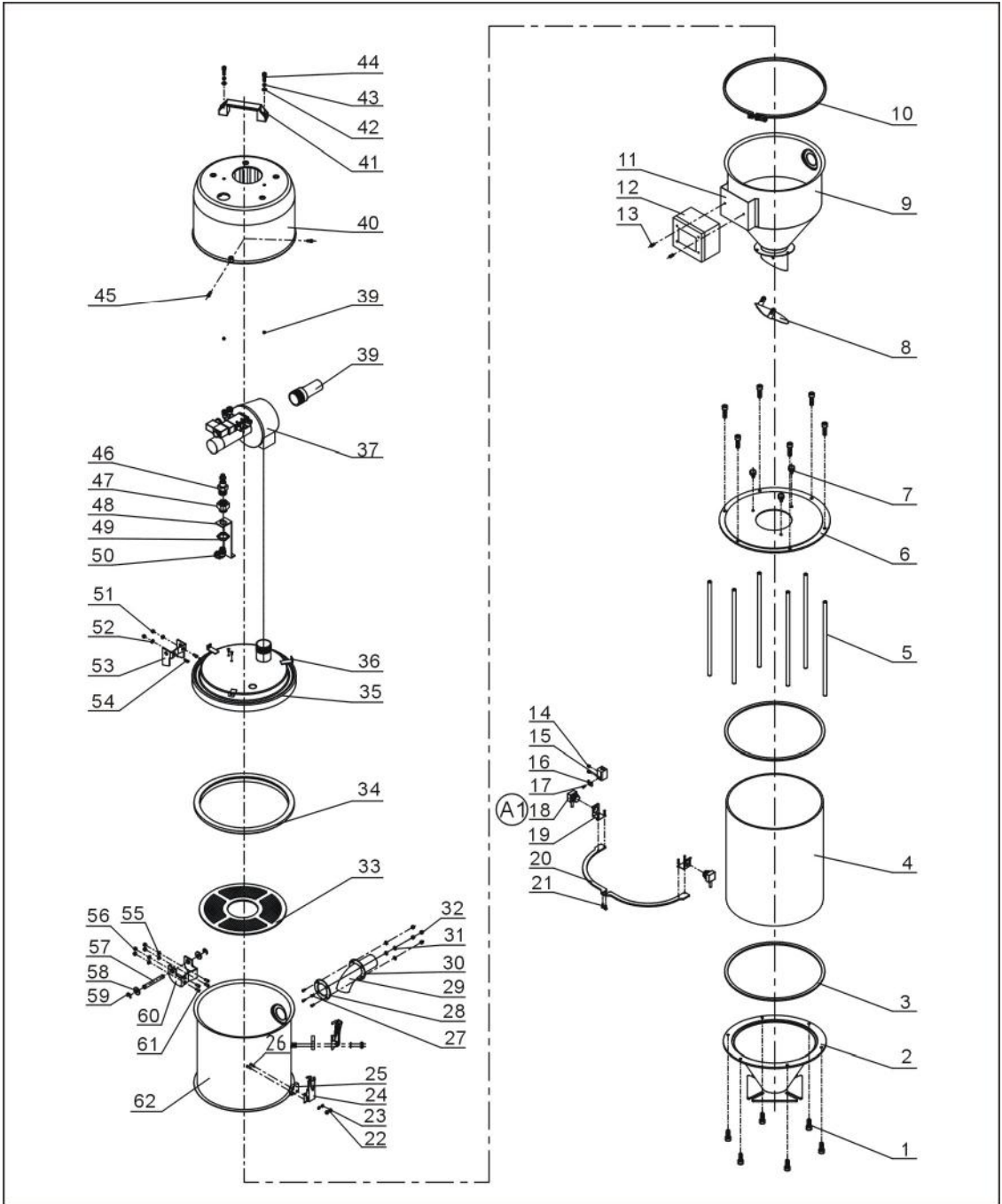
Parts List (SHR-12U-ES)

No.	Name	Stock No.	No.	Name	Stock No.
1	Hexagon socket head cap screw M6×15	YW61061600300	33	Stopper screw M4×5	YW68004500000
2	Lower flange of glass tube	-	34	Photosenser base	-
3	Glass tube fastener	YR10001200100	35	Photosenser Pressing block	-
4	Glass tube	-	36	Cross recess head screw M4×10	YW63041000000
5	Connecting rod of flange	-	37	Photosenser	YE15143900000
6	Glass tube upper flange	-	38	Mounting block of photosenser	-
7	Plastic stem screw M6×15	YW69621600000	39	Photosenser fixing plate	-
8	Non-return flap	-	40	Cross recess head screw M4×10	YW63041000000
9	Discharge port	-	41	Filter screen	-
10	Hopper flange	-	42	Hopper fastener	-
11	Hopper	-	43	Hopper lid	-
12	LocknutM4×0.7	YW64040700100	44	Mounting base of motor	-
13	Flat washer 4	YW66040800000	45	1.5"PT taper pipe thread	-
14	Spring fastener	YW02003000400	46	Diaphragm valve	BY20382400050
15	Bearer	YR40000600300	47	Air suction pipe	-
16	Welded stud M4×15	YW69041500100	48	LocknutM6	YW64000600200
17	Welded stud M4×10	YW69041000000	49	Aluminum square handle L20	BW20012000040
18	Material inlet pipe fastener	-	50	Hexagon socket head cap screw M6×20	YW61062000300
19	Material inlet pipe	-	51	Spring washer 6	YW65006000000
20	Material inlet pipe fixing plate	-	52	Flat washer 6	YW66061300000
21	Flat washer 4	YW66040800000	53	Motor cover	-
22	LocknutM4×0.7	YW64040700100	54	Cross recess head screw M5×15	YW62051500000
23	Flat washer 5	YW66051000100	55	Quick coupling 3" ×1/4PT	YW80031400000
24	LocknutM5	YW64000500000	56	Copper coupling	-
25	Hinge	-	57	Fixed block of air pipe connector	-

26	Flat washer 8×22	YW66082200100	58	Coupling nut	-
27	Split washer 6	YW63051000000	59	Quick coupling	YW80081400100
28	Upper hinge	-	60	LocknutM5	YW6400500000
29	Welded stud M5×10	YW69051000000	61	Flat washer 5	YW66040800000
30	Electrical cabinet base	-	62	Lower hinge	-
31	Electrical cabinet	YR40010000000	63	Welded stud M5×10	YW69051000000
32	Cross recess head screw M4×6	YW63040600000			

* means possible broken parts. ** means easy broken part. and spare backup is suggested. Please confirm the version of manual before placing the purchase order to guarantee that the item number of the spare part is in accordance with the real object.

1.1.5 Assembly Drawing (SHR-24U-ES)



Assembly Drawing (SHR-24U-ES)

1.1.6 Parts List (SHR-24U-ES)

Parts List (SHR-24U-ES)

No.	Name	Stock No.	No.	Name	Stock No.
1	Hexagon socket head cap screw M6×15	YW61061600300	32	LocknutM4×0.7	YW64040700100
2	Lower flange of glass tube	-	33	Filter screen	-
3	Glass tube fastener	-	34	Hopper fastener	-
4	Glass tube	-	35	Hopper lid	-
5	Connecting rod of flange	-	36	Mounting base of motor cover	-
6	Glass tube upper flange	-	37	Diaphragm valve 2"	BY20502400050
7	Plastic stem screw M6×15	YW69621600000	38	Air suction pipe	-
8	Non-return flap	-	39	Locknut M6	YW64000600200
9	Hopper	-	40	Motor cover	-
10	Pipe bundle	-	41	Aluminum square handle L120	BW20012000040
11	Electrical cabinet base	-	42	Flat washer 6	YW66061300000
12	Electrical cabinet	-	43	Spring washer 6	YW65006000000
13	Cross recess head screw M4×6	YW63040600000	44	Hexagon socket head cap screw M6×20	YW61062000300
14	Stopper screw M4×5	YW68004500000	45	Cross recess head screw M5×15	YW62051500000
15	Photosenser base	-	46	Quick coupling 3" ×1/4PT	YW80031400000
16	Photosenser Pressing block	-	47	Copper coupling	-
17	Cross recess head screw M4×10	YW63041000000	48	Fixed block of air pipe connector	-
18	Photosenser	YE15143900000	49	Coupling nut	-
19	Mounting block of photosenser	-	50	Quick coupling	YW80081400100
20	Photosenser fixing plate	-	51	LocknutM5	YW64000500000
21	Cross recess head screw M4×10	YW63041000000	52	Flat washer 5	YW66051000100
22	LocknutM4×0.7	YW64040700100	53	Lower hinge	-
23	Flat washer 4	YW66040800000	54	Welded stud M5×10	YW69051000000
24	Spring fastener	YW02003000400	55	Flat washer 5	YW66051000100
25	Bearer	YR40000600300	56	LocknutM5	YW64000500000
26	Welded stud M4×15	YW69041500100	57	Hinge	-

27	Welded stud M4×10	YW69041000000	58	Flat washer 8×22	YW66082200100
28	Material inlet pipe fastener	-	59	Split washer 6	YW66000600000
29	Material inlet pipe	-	60	Upper hinge	-
30	Material inlet pipe fixing plate	-	61	Welded stud M5×10	YW69051000000
31	Flat washer 4	YW66040800000	62	Enlarged hopper	-

* means possible broken parts. ** means easy broken part. and spare backup is suggested. Please confirm the version of manual before placing the purchase order to guarantee that the item number of the spare part is in accordance with the real object.