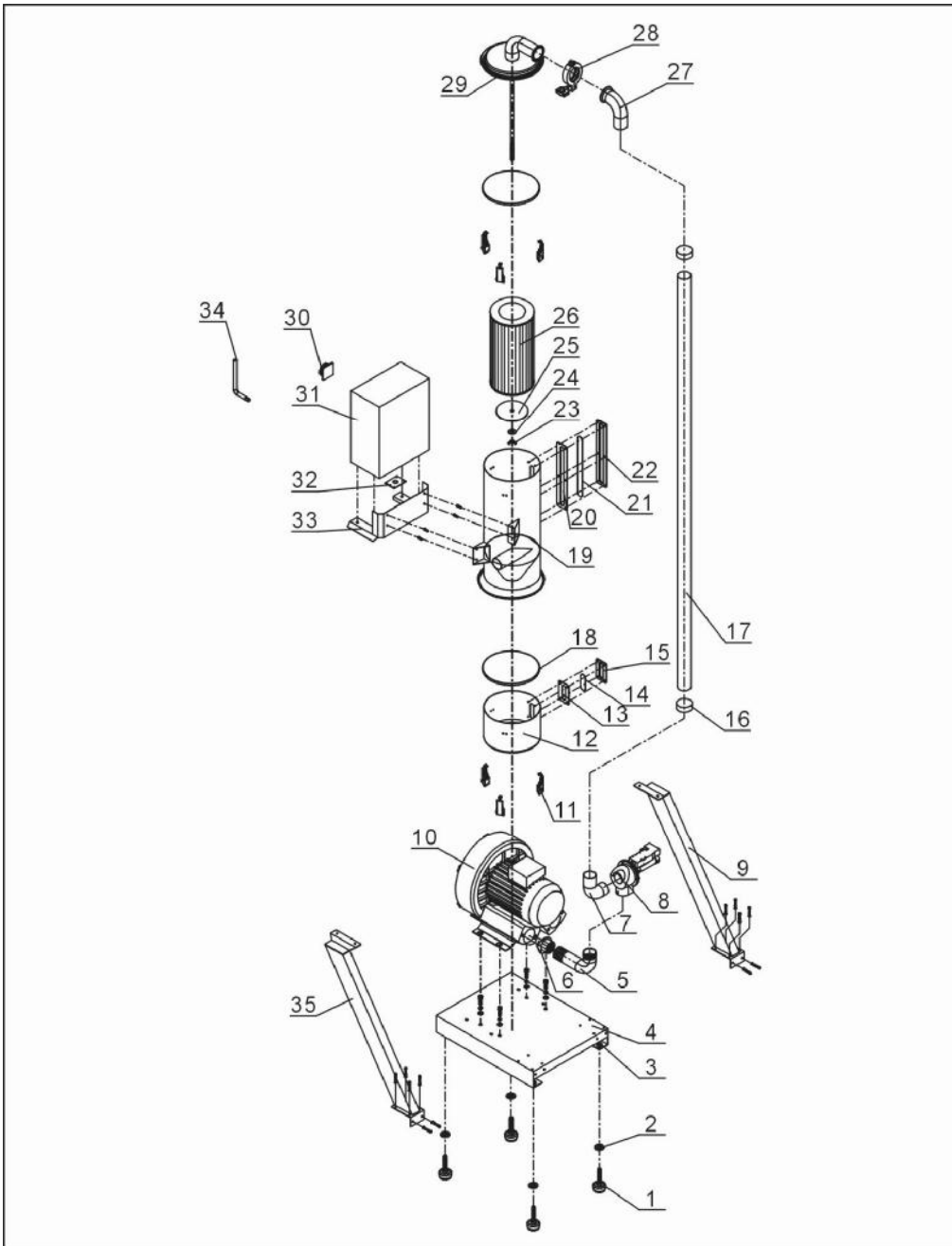


2.2 Parts Drawing

2.2.1 Parts Drawing (SMCS-3.5HP/5HP(-D))



Note: Please refer to material list 2.2.2 for specific explanation of the Arabic numbers in parts drawing.

Picture 2-2: Parts Drawing (SMCS-3.5HP/5HP(-D))

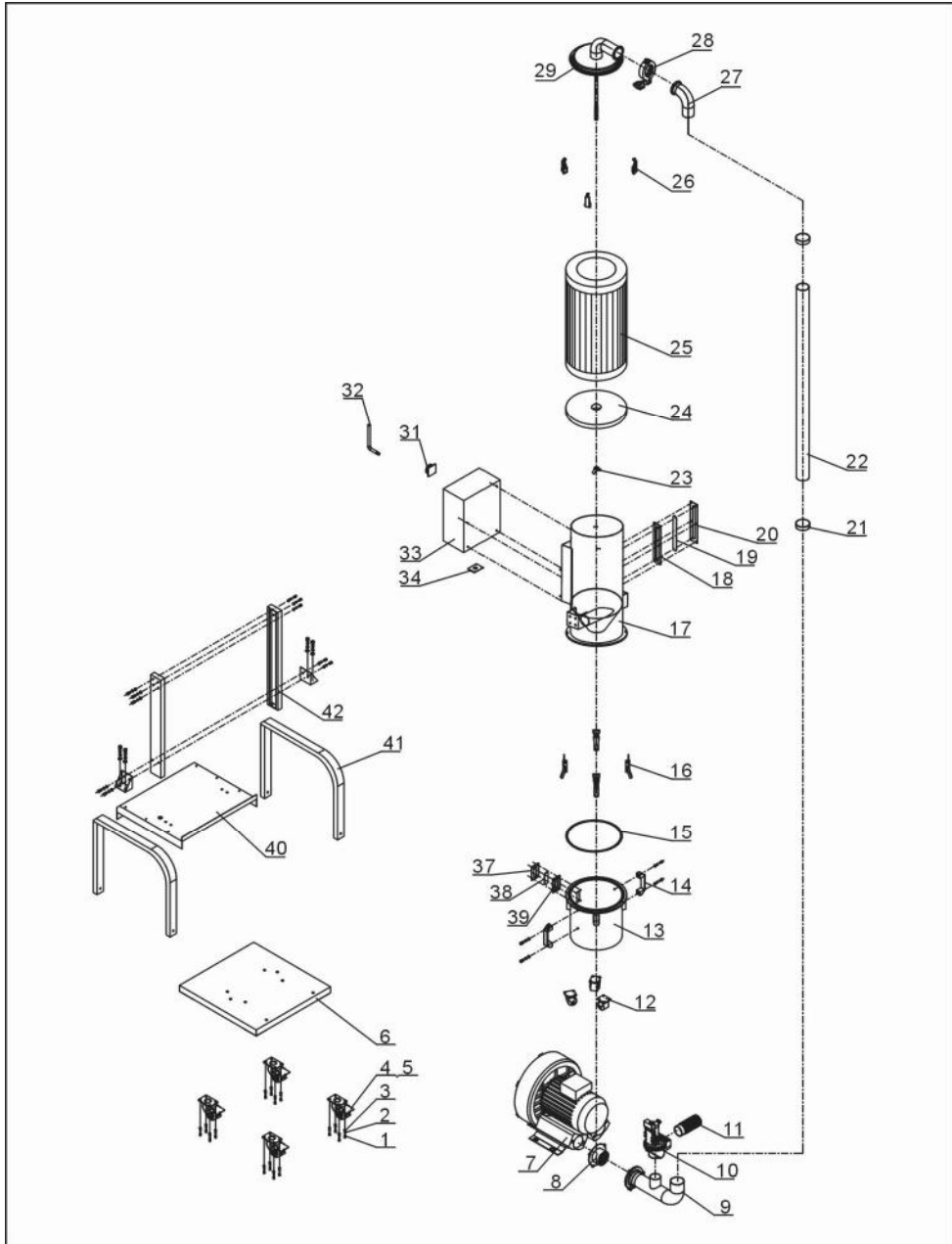
2.2.2 Parts List (SMCS-3.5HP/5HP(-D))

Table 2-1: Parts List (SMCS-3.5HP/5HP(-D))

No.	Name	Part No.	No.	Name	Part No.
1	anti-vibration foot Φ50	YW03005000000	18	Dust collecting fastener	YR10708000100
2	Flat gasket 8	YW66082200100	19	Filter tank ring	-
3	Screw M12	YW64012100000	20	Six hole material window fastener	YR40000600000
4	Base	BL21003500120	21	Six hole Acryl	YR40001200000
5	Air inlet pipe	BL26003506520-	22	Six hole material window sheet iron	YW09000600000
6	Blower flange	-	23	Butterfly nut 5/16"	YW69051600000
7	Vacuum breaking diaphragm valve connection 1.5"	BY20015000050	24	Flat gasket 8	YW66082200100
8	Vacuum breaking diaphragm valve	-	25	Filter fixing plate	BL26003502520
9	Right stand pole	-	26	Filter ADC2	YR50181100000
10	High pressure blower 3.5HP	BM30053500050	27	Air suction pipe	-
	High pressure blower 5HP	BM30055000050	28	Pipe clamp	YW07000200000
	High pressure blower 5HP (double stage)	YM30433700000	29	Filter tank cover assembly	-
11	Snap hook	YW02003000400	30	Main power switch	YE10210300000
12	Dust collecting tank	BL26003507021	31	Control box	-
13	Four hole material window fastener	YR40000400000	32	Line clamp fixing plate	-
14	Four hole acryl	YR40001200100	33	Bracket for fixing filter tank	-
15	Four hole material window sheet iron	YW09000000400	34	Anti-theft screw wrench	JT40450000000
16	Pipe fastener 2.5"	YW02002500000	35	Left stand pole	-
17	Steel wire rubber pipe 2"	YR60205040100			

* means possible broken parts; ** means easy broken part and a spare backup is suggested. Please confirm the version of manual before placing the purchase order to make sure that the item number of the spare part is in accordance with the real object.

2.2.3 Parts Drawing (SMCS-7.5HP(-D)/10HP(-D))



Note: Please refer to material list 2.2.4 for specific explanation of the Arabic numbers in parts drawing.

Picture 2-3: Parts Drawing (SMCS-7.5HP(-D)/10HP(-D))

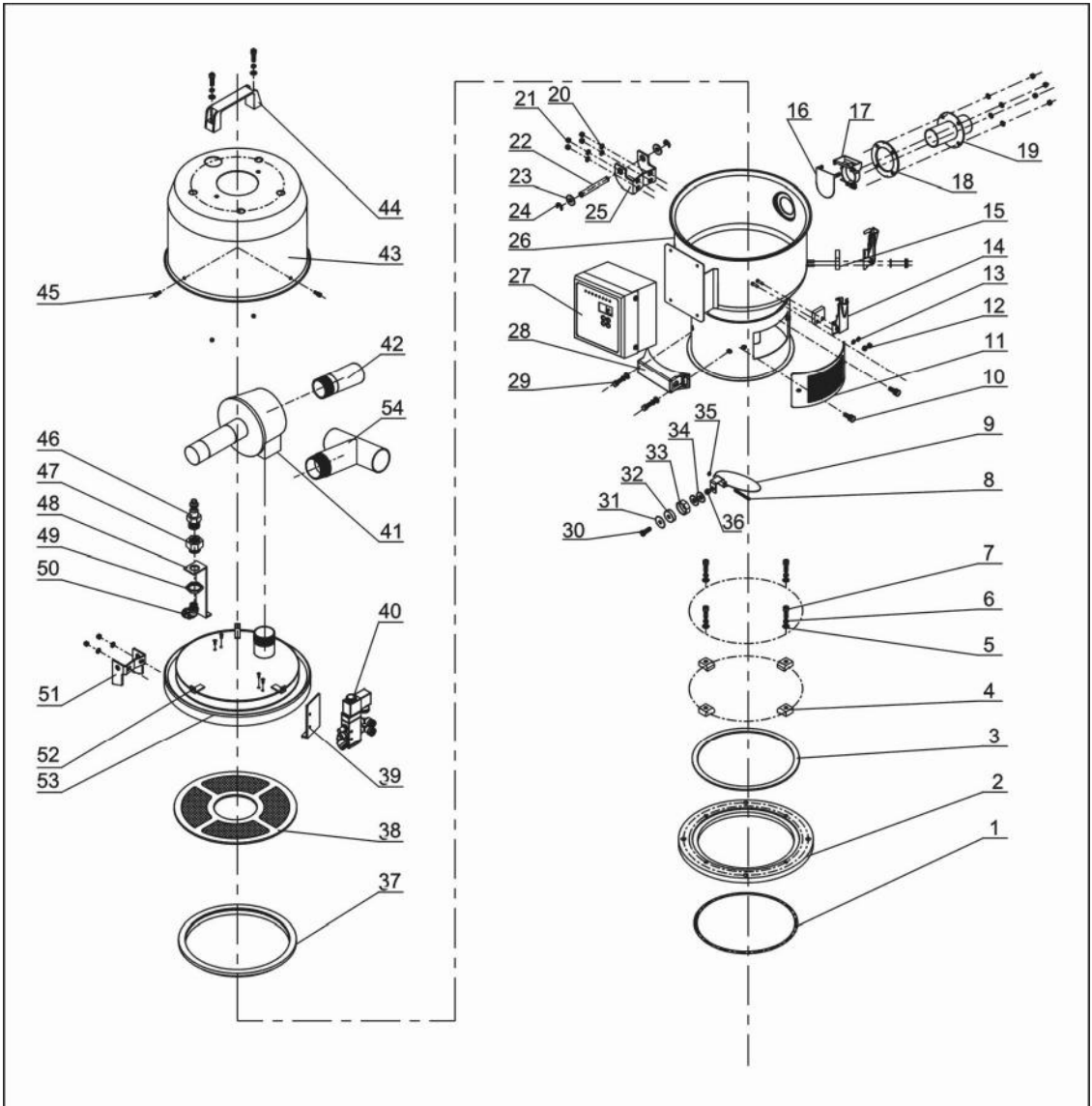
2.2.4 Parts List (SMCS-7.5HP(-D)/10HP(-D))

Table 2-2: Parts List (SMCS-7.5HP(-D)/10HP(-D))

No.	Name	Part No.	No.	Name	Part No.
1	Outer hexagon screw M6×16	YW60061600100	21	Stainless steel pipe fastener 3"	YW02000300000
2	Flat gasket 6	YW66061300000	22	Steel wire rubber pipe 2.5"	YR60253000000
3	Spring gasket 6	YW65006000100	23	Butterfly nut 5/16"	YW69051600000
4	Brake type universal castor 3"	YW03000300000	24	Filter fixing plate	BL26007504720
5	Freestyle universal caster 3"	YW03000300200	25	Filter	YR50221400000
6	Base	BL26007502721	26	Snap hook	YW02003000400
7	High pressure blower 7.5HP	BM30075000050	27	Air suction pipe	-
	High pressure blower 7.5HP(double stage)	YM30635500000	28	Pipe clamp	YW07002500600
	High pressure blower 10HP	BM30081000050	29	Filter tank cover assembly	-
	High pressure blower 10HP(double stage)	YM30637500000	30	Alarm light	YE83305100200
8	Blower flange	-	31	Main power switch	YE10210300000
9	Air inlet pipe	BL26007504920	32	Dedicated wrench for anti-theft screw	JT40450000000
10	Vacuum separating valve 2"	BY20500000050	33	Control box	-
11	Air filter	-	34	Line clamp fixing plate	-
12	universal casters 2.5"	YW03002500000	35	Pipe connector 2.5"	BH80002510050
13	Dust collecting tank	BL26007502421	36	T-branch pipe	-
14	Aluminum square handle L120	BW20012000040	37	Four hole material window sheet iron	YW09000000400
15	Dust collecting fastener	YE32051800100	38	Four hole material window fastener	YR40000400000
16	Big handle	YW02003000100	39	Four hole acryl	YR40001200100
17	Filter tank assembly	-	40	Intermediate plate	-
18	Six hole material window fastener	YR40000600000	41	Frame 1	-
19	Six hole acryl	YR40001200000	42	Stand pole for fiter tank	-
20	Six hole material windw sheet iron	YW09000600000			

* means possible broken parts; ** means easy broken part and a spare backup is suggested. Please confirm the version of manual before placing the purchase order to make sure that the item number of the spare part is in accordance with the real object.

2.2.5 Parts Drawing of Central Vacuum Hopper (SHR-6U-MS)



Note: Please refer to material list 2.2.6 for specific explanation of the Arabic numbers in parts drawing.

Picture 2-4: Parts Drawing of Central Vacuum Hopper (SHR-6U-MS)

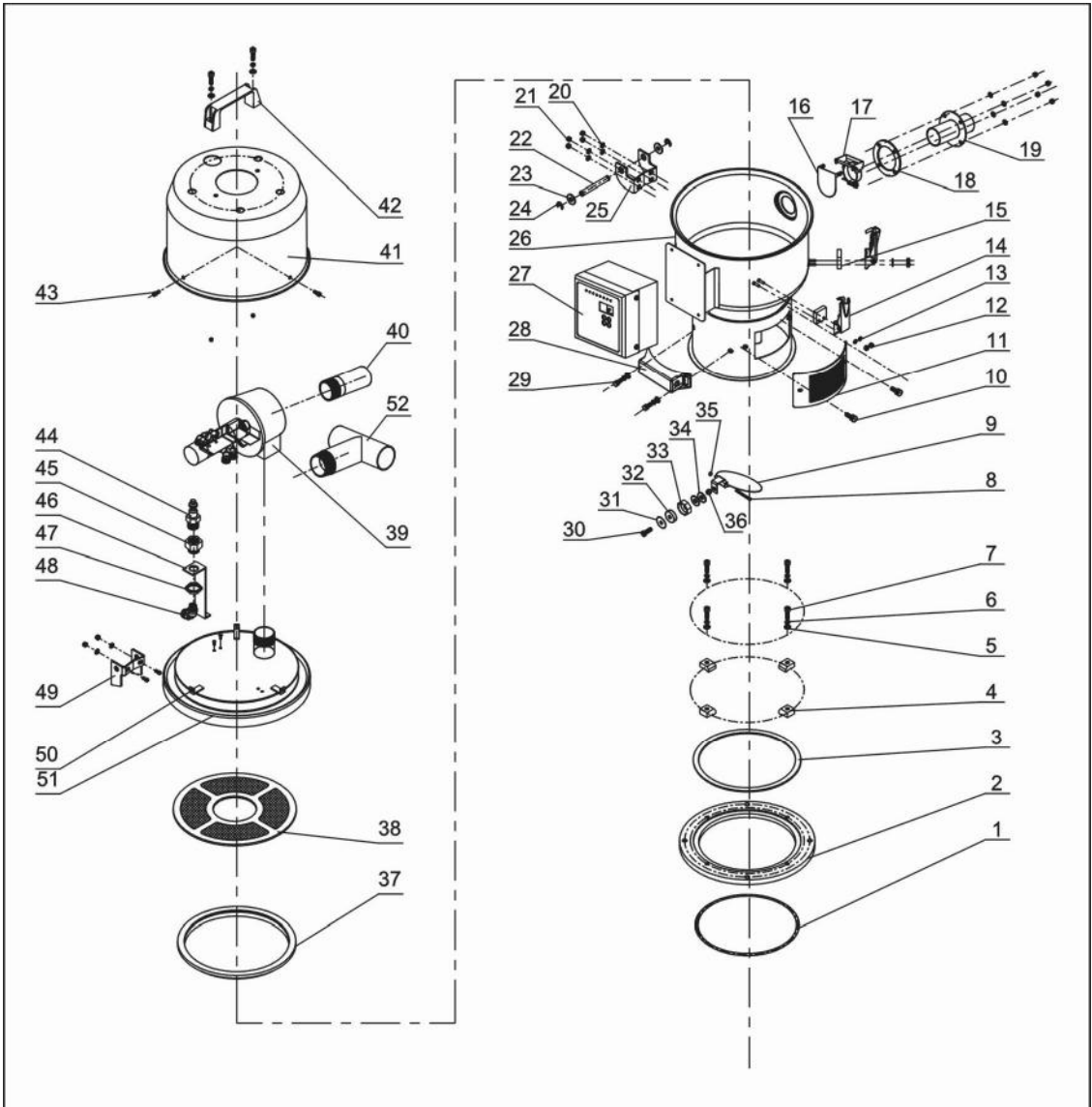
2.2.6 Parts List (SHR-6U-MS)

Table 2-3: Parts List (SHR-6U-MS)

No.	Name	Part No.	No.	Name	Part No.
1	O type seal ring inner dia.Φ200×5.5	YR20205500000	28	Sensor shell	-
2	Base	-	29	Inner hexagon cylindrical screw M6×10	YW63061000000
3	Base fastener	-	30	Cross recessed pan head screw M6×20	YW63062000000
4	Press block	-	31	Magnet cover	-
5	Flat gasket 6	YW66061300000	32	Permanent magnetic sheet Φ25×Φ7×7	YW90257700000
6	Spring gasket 6	YW65006000000	33	Magnet sleeve	-
7	Inner hexagon cylindrical screw M6×20	YW61062000200	34	Flat gasket 8×22	YW66082200100
8	Cross recessed pan head screw M3×40	YW63034000000	35	locknut M3	YW64000300000
9	Unloading plate	-	36	locknut M6	YW64000600200
10	Star handle	-	37	Hopper fastener	-
11	Ventilation window	-	38	Filter screen	-
12	Locknut M4×0.7	YW64040700100	39	Solenoid valve fixing plate	-
13	Flat gasket 4	YW66040800000	40	Solenoid valve	YE32051800100
14	Spring gasket	YW02003000400	41	Diaphragm valve1.5"	-
15	Snap hook pad	YR40000600300	42	Air suction pipe	-
16	1.5" Backstop fixing plate	-	43	Motor outside cover	-
17	1.5" Backstop	-	44	Aluminum square handle L120	BW20012000040
18	Feeding pipe fastener	-	45	Cross recessed pan head screw M5×15	YW62051500000
19	Feeding pipe (with backstop)	-	46	Quick connector 3" ×1/4PT	YW80031400000
20	Flat gasket 5	YW66051000100	47	Connection copper head	-
21	Locknut M5	YW64000500000	48	Air pipe connector fixing plate	-
22	Hinge pin	-	49	Connecting nut	-
23	Flat gasket 8×22	YW66082200100	50	Quick connector APL8-1/4PT	YW80081400100
24	E-ring 8	YW69896800000	51	Up hinge	-
25	Down hinge	-	52	Motor shield fixing base	-
26	Storage tank	-	53	Hopper cover	-
27	Control box	-	54	T-branch pipe (optional)	-

* means possible broken parts; ** means easy broken part and a spare backup is suggested. Please confirm the version of manual before placing the purchase order to make sure that the item number of the spare part is in accordance with the real object.

2.2.7 Parts Drawing of Central Vacuum Hopper (SHR-12U-MS)



Note: Please refer to material list 2.2.8 for specific explanation of the Arabic numbers in parts drawing.

Picture 2-5: Parts Drawing of Central Vacuum Hopper (SHR-12U-MS)

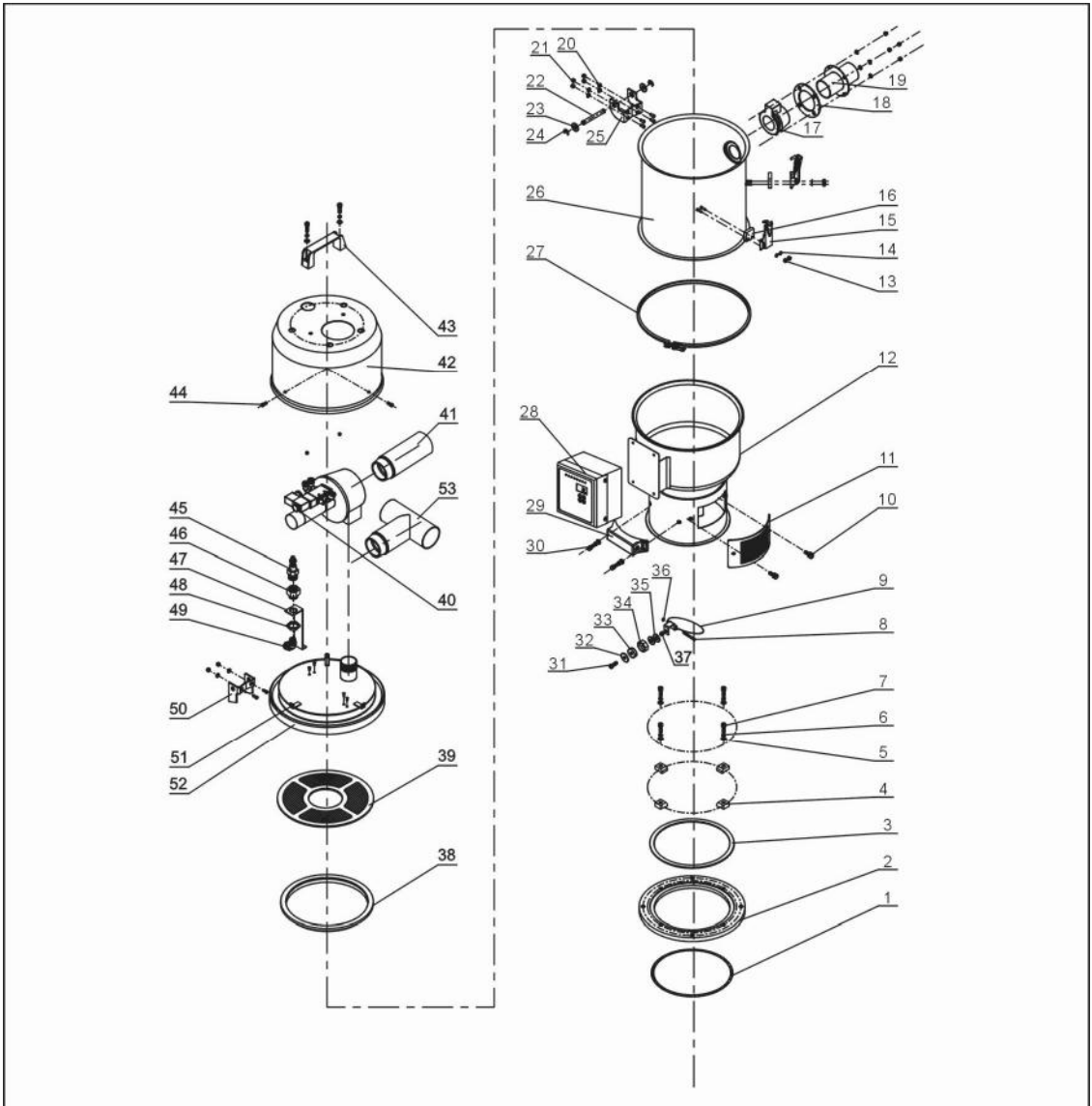
2.2.8 Parts List (SHR-12U-MS)

Table 2-4: Parts List (SHR-12U-MS)

No.	Name	Part No.	No.	Name	Part No.
1	O type seal ring inner dia. $\Phi 200 \times 5.5$	YR20205500000	27	Control box	-
2	Base	-	28	Sensor shell	-
3	Base fastener	-	29	Inner hexagon cylindrical screw M6 \times 10	YW63061000000
4	Press block	-	30	Cross recessed pan head screw M6 \times 20	YW63062000000
5	Flat gasket 6	YW66061300000	31	Magnet cover	-
6	Spring gasket 6	YW65006000000	32	Permanent magnetic sheet $\Phi 25 \times \Phi 7 \times 7$	YW90257700000
7	Inner hexagon cylindrical screw M6 \times 20	YW61062000200	33	Magnet sleeve	-
8	Cross recessed pan head screw M3 \times 40	YW63034000000	34	Flat gasket 8 \times 22	YW66082200100
9	Unloading plate	-	35	Locknut M3	YW64000300000
10	Star handle	-	36	Locknut M6	YW64000600200
11	Ventilation window	-	37	Hopper fastener	-
12	Locknut M4 \times 0.7	YW64040700100	38	Filter screen	-
13	Flat gasket 4	YW66040800000	39	Diaphragm valve 1.5"	-
14	Spring gasket	YW02003000400	40	Air suction pipe	-
15	Snap hook pad	YR40000600300	41	Motor outside cover	-
16	1.5" Backstop fixing plate	-	42	Aluminum square handle L120	BW20012000040
17	1.5" Backstop	-	43	Cross recessed pan head screw M5 \times 15	YW62051500000
18	Feeding pipe fastener	-	44	Quick connector 3" \times 1/4PT	YW80031400000
19	Feeding pipe (with backstop)	-	45	Connection copper head	-
20	Flat gasket 5	YW66051000100	46	Air pipe connector fixing plate	-
21	Locknut M5	YW64000500000	47	Connecting nut	-
22	Hinge pin	-	48	Quick connector APL8-1/4PT	YW80081400100
23	Flat gasket 8 \times 22	YW66082200100	49	Up hinge	-
24	E-ring 8	YW69896800000	50	Motor shield fixing base	-
25	Down hinge	-	51	Hopper cover	-
26	Storage tank	-	52	T-branch pipe (optional)	-

* means possible broken parts; ** means easy broken part and a spare backup is suggested. Please confirm the version of manual before placing the purchase order to make sure that the item number of the spare part is in accordance with the real object.

2.2.9 Parts Drawing of Central Vacuum Hopper (SHR-24U-MS)



Note: Please refer to material list 2.2.10 for specific explanation of the Arabic numbers in parts drawing.

Picture 2-6: Parts Drawing of Central Vacuum Hopper (SHR-24U-MS)

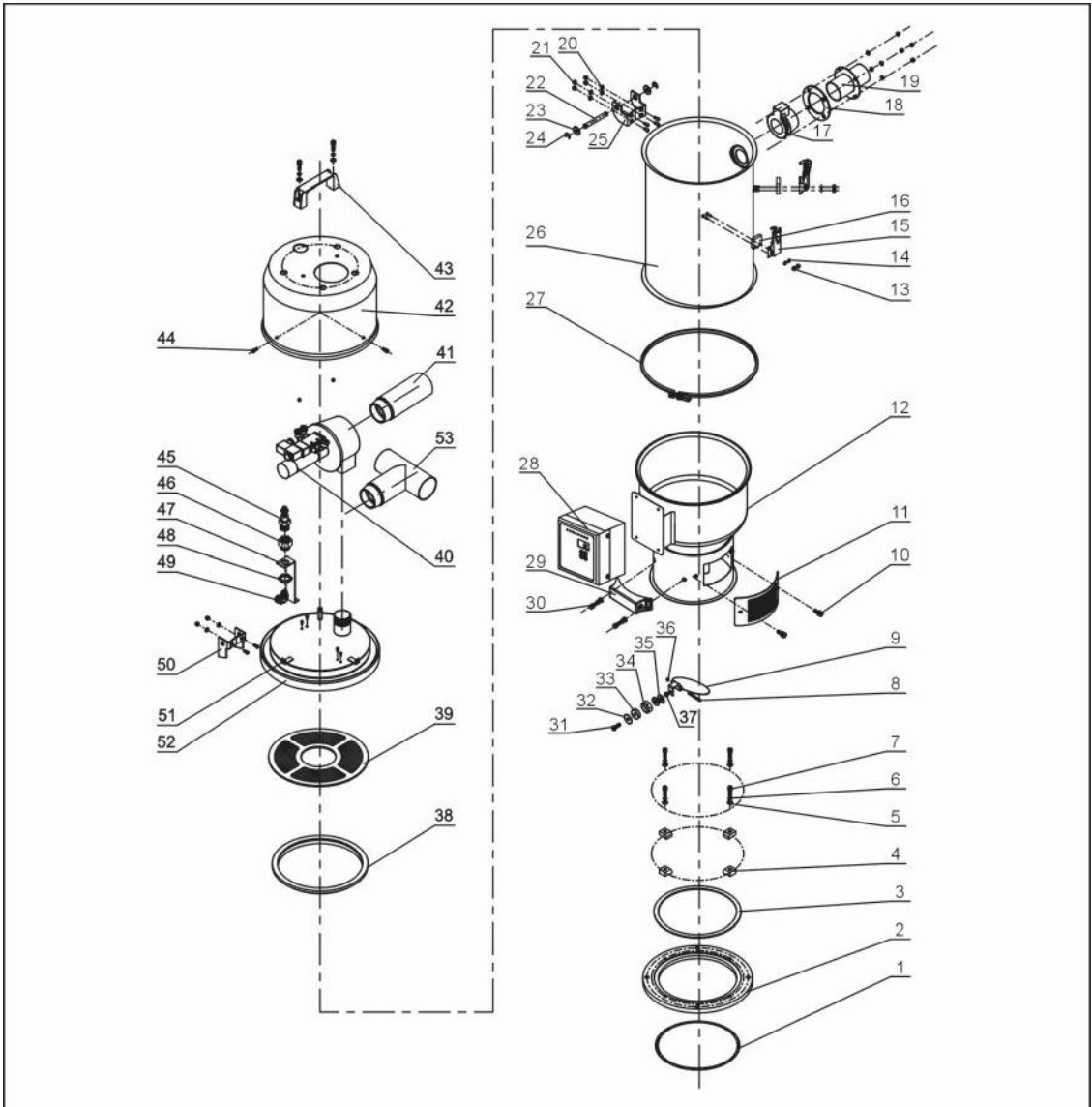
2.2.10 Parts List (SHR-24U-MS)

Table 2-5: Parts List (SHR-24U-MS)

No.	Name	Part No.	No.	Name	Part No.
1	O type seal ring inner dia.Φ200×5.5	YR20205500000	28	Control box	-
2	Base	-	29	Sensor shell	-
3	Base fastener	-	30	Inner hexagon cylindrical screw M6×10	YW63061000000
4	Press block	-	31	Cross recessed pan head screw M6×20	YW63062000000
5	Flat gasket 6	YW66061300000	32	Magnet cover	-
6	Spring gasket 6	YW65006000000	33	Permanent magnetic sheet Φ25×Φ7×7	YW90257700000
7	Inner hexagon cylindrical screw M6×20	YW61062000200	34	Magnet sleeve	-
8	Cross recessed pan head screw M3×40	YW63034000000	35	Flat gasket 8×22	YW66082200100
9	Unloading plate	-	36	locknut M3	YW64000300000
10	Star handle	-	37	locknut M6	YW64000600200
11	Ventilation window	-	38	Hopper fastener	-
12	Locknut M4×0.7	YW64040700100	39	Filter screen	-
13	Flat gasket 4	YW66040800000	40	Diaphragm valve 2"	-
14	Spring gasket	YW02003000400	41	Air suction pipe	-
15	Snap hook pad	YR40000600300	42	Motor outside cover	-
16	1.5" Snap hook pad	-	43	Aluminum square handle L120	BW20012000040
17	1.5" Backstop	-	44	Cross recessed pan head screw M5×15	YW62051500000
18	Feeding pipe fastener	-	45	Quick connector 3" ×1/4PT	YW80031400000
19	Feeding pipe (with backstop)	-	46	Connection copper head	-
20	Flat gasket 5	YW66051000100	47	Air pipe connector fixing plate	-
21	Locknut M5	YW64000500000	48	Connecting nut	-
22	Hinge pin	-	49	Quick connector APL8-1/4PT	YW80081400100
23	Flat gasket 8×22	YW66082200100	50	Up hinge	-
24	E-ring 8	YW69896800000	51	Motor shield fixing base	-
25	Down hinge	-	52	Hopper cover	-
26	Extra large material tank	-	53	T-branch pipe (optional)	-
27	Pipe fastener	-			

* means possible broken parts; ** means easy broken part and a spare backup is suggested. Please confirm the version of manual before placing the purchase order to make sure that the item number of the spare part is in accordance with the real object.

2.2.11 Parts Drawing of Central Vacuum Hopper (SHR-36U-MS)



Note: Please refer to material list 2.2.12 for specific explanation of the Arabic numbers in parts drawing.

Picture 2-7: Parts Drawing of Central Vacuum Hopper (SHR-36U-MS)

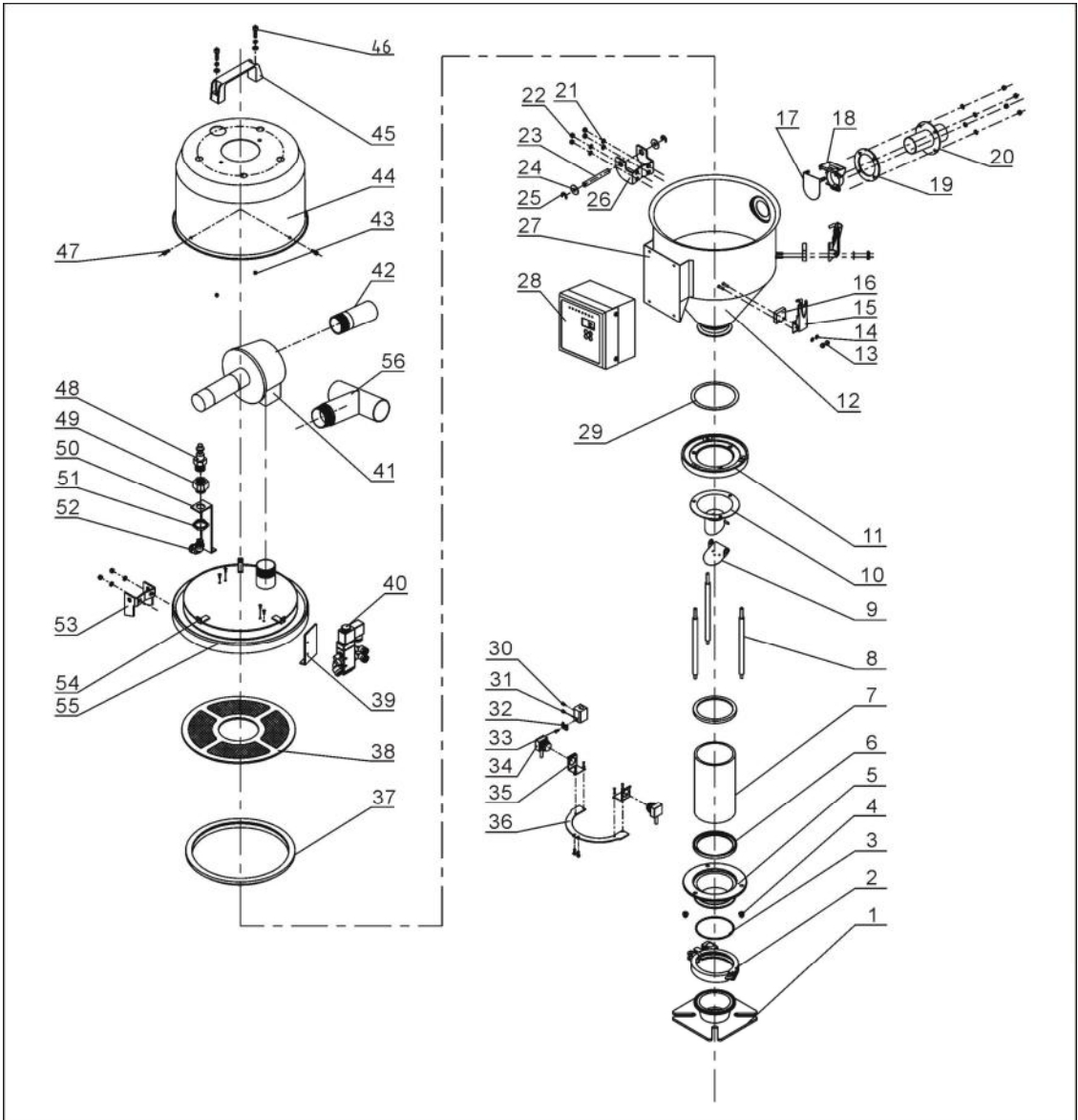
2.2.12 Parts List (SHR-36U-MS)

Table 2-6: Parts List (SHR-36U-MS)

No.	Name	Part No.	No.	Name	Part No.
1	O type seal ring inner dia. $\Phi 200 \times 5.5$	YR20205500000	28	Control box	-
2	Base	-	29	Sensor shell	-
3	Base fastener	-	30	Inner hexagon cylindrical screw M6 \times 10	YW63061000000
4	Press block	-	31	Cross recessed pan head screw M6 \times 20	YW63062000000
5	Flat gasket 6	YW66061300000	32	Magnet cover	-
6	Spring gasket 6	YW65006000000	33	Permanent magnetic sheet $\Phi 25 \times \Phi 7 \times 7$	YW90257700000
7	Inner hexagon cylindrical screw M6 \times 20	YW61062000200	34	Magnet sleeve	-
8	Cross recessed pan head screw M3 \times 40	YW63034000000	35	Flat gasket 8 \times 22	YW66082200100
9	Unloading plate	-	36	locknut M3	YW64000300000
10	Star handle	-	37	locknut M6	YW64000600200
11	Ventilation window	-	38	Hopper fastener	-
12	Locknut M4 \times 0.7	YW64040700100	39	Filter screen	-
13	Flat gasket 4	YW66040800000	40	Diaphragm valve 2"	-
14	Spring gasket	YW02003000400	41	Air suction pipe	-
15	Snap hook pad	YR40000600300	42	Motor outside cover	-
16	1.5" Backstop fixing plate	-	43	Aluminum square handle L120	BW20012000040
17	1.5" Backstop	-	44	Cross recessed pan head screw M5 \times 15	YW62051500000
18	Feeding pipe fastener	-	45	Quick connector 3" \times 1/4PT	YW80031400000
19	Feeding pipe (with backstop)	-	46	Connection copper head	-
20	Flat gasket 5	YW66051000100	47	Air pipe connector fixing plate	-
21	Locknut M5	YW64000500000	48	Connecting nut	-
22	Hinge pin	-	49	Quick connector APL8-1/4PT	YW80081400100
23	Flat gasket 8 \times 22	YW66082200100	50	Up hinge	-
24	E-ring 8	YW69896800000	51	Motor shield fixing base	-
25	Down hinge	-	52	Hopper cover	-
26	Extra large material tank	-	53	T-branch pipe (optional)	-
27	Pipe fastener				

* means possible broken parts; ** means easy broken part and a spare backup is suggested. Please confirm the version of manual before placing the purchase order to make sure that the item number of the spare part is in accordance with the real object.

2.2.13 Parts Drawing of Central Photosensor Hopper (SHR-6U-MES)



Note: Please refer to material list 2.2.14 for specific explanation of the Arabic numbers in parts drawing.

Picture 2-8: Parts Drawing of Central Photosensor Hopper (SHR-6U-MES)

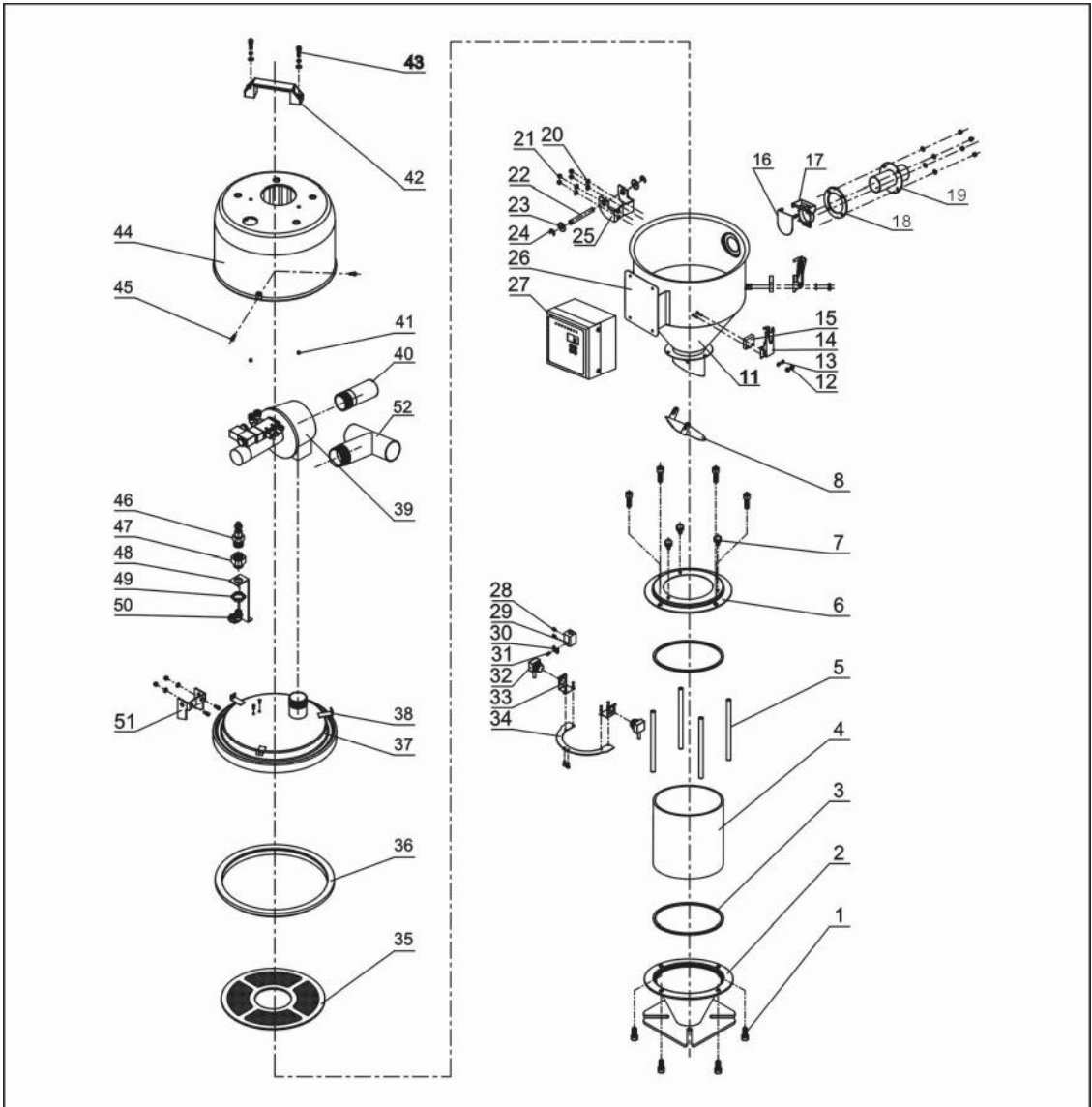
2.2.14 Parts List (SHR-6U-MES)

Table 2-7: Parts List (SHR-6U-MES)

No.	Name	Part No.	No.	Name	Part No.
1	Mounting flange	BL21060200820	29	Hopper base plate fastener	-
2	3" Stainless steel pipe clamp	YW07000300000	30	Set screw M4×5	YW68004500000
3	O type seal ring	YR20802600000	31	Photosensor fixing base	BL90001000120
4	Cap nut M6	YW64006000100	32	Photosensor cable pressure block	YW31616200000
5	Down flange of glass pipe	BW32610900010	33	Cross recess pan head screw M4×10	YW63041000000
6	Glass pipe fastener	YR10060200000	34	Photosensor	YE15143900000
7	Glass pipe	YW70317000600	35	Photosensor mounting plate	-
8	Flange connection shaft	BH10000600640	36	Photosensor fixing plate	BL21061200020
9	Non-return flap	-	37	Hopper fastener	YR10000300100
10	Discharge port	-	38	Filter screen	BL21000600620
11	Up flange of glass pipe	BW32610800010	39	Solenoid valve fixing plate	-
12	Material storage tank	-	40	Solenoid valve	YE32051800100
13	Locknut M4×0.7	YW64040700100	41	Diaphragm valve 1.5"	-
14	Flat gasket 4	YW66040800000	42	Air suction pipe	-
15	Snap hook	YW02003000400	43	Locknut M6	YW64000600200
16	Pad	YR40000600800	44	Motor cover	BR40033000110
17	1.5" Non-return flap fixing plate	-	45	Aluminum square handle L120	BW20012000040
18	1.5" Backstop	-	46	Inner hexagon cylinder head screw M6×20	YW61062000300
19	Material inlet pipe fastener	-	47	Cross recess pan head screw M5×15	YW62051500000
20	Material inlet pipe (equipped with backstop)	-	48	Quick connector 3" ×1/4PT	YW80031400000
21	Flat gasket 5	YW66051000100	49	Connection copper plate	BH12002400010
22	Locknut M5	YW64000500000	50	Air pipe connector fixing block	-
23	Hinge pin	BH10006003110	51	Connecting nut	BH12003600410
24	Flat gasket 8×22	YW66082200100	52	Quick connector	YW80081400100
25	E rings 8	YW69896800000	53	Up hinge	BL32000600240
26	Down hinge	BL32000600140	54	Motor cover fixing base	BL21001501320
27	Control box base	-	55	Hopper cover	-
28	Control box	Bh90615000010	56	T joint air suction pipe (optional)	-

* means possible broken parts; ** means easy broken part and a spare backup is suggested. Please confirm the version of manual before placing the purchase order to make sure that the item number of the spare part is in accordance with the real object.

2.2.15 Parts Drawing of Central Photosensor Hopper (SHR-12U-MES)



Note: Please refer to material list 2.2.16 for specific explanation of the Arabic numbers in parts drawing.

Picture 2-9: Parts Drawing of Central Photosensor Hopper (SHR-12U-MES)

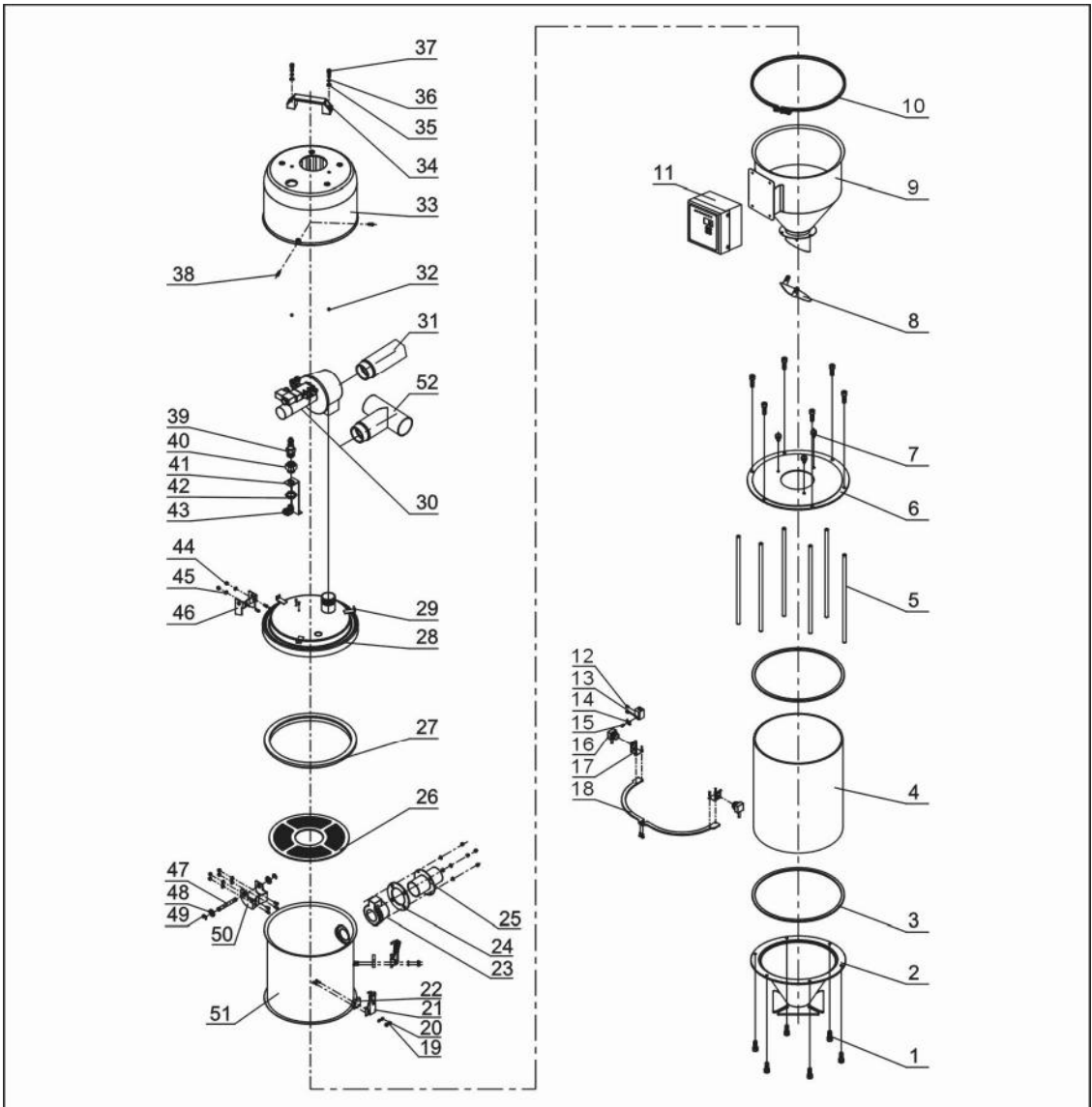
2.2.16 Parts List (SHR-12U-MES)

Table 2-8: Parts List (SHR-12U-MES)

No.	Name	Part No.	No.	Name	Part No.
1	Inner hexagon cylindrical screw M6×15	YW61061600300	27	Control box	-
2	Glass pipe down flange	-	28	Fastening screw M4×5	YW68004500000
3	Glass pipe fastener	YR10001200100	29	Photosensor fixing base	-
4	Glass pipe Φ170×Φ160×170	-	30	Pressing block for photosensor line	-
5	Flange connecting bar	-	31	Cross recessed pan head screw M4×10	YW63041000000
6	Glass pipe up flange	-	32	Photosensor	YE15143900000
7	Plastic handle screw	YW69621600000	33	Installation block for photosensor	-
8	Backstop	-	34	Photosensor fixing plate	-
9	Unloading port	-	35	Filter screen	-
10	Hopper flange	-	36	Hopper fastener	-
11	Storage tank	-	37	Hopper cover	-
12	Locknut M4×0.7	YW64040700100	38	Motor fixing plate	-
13	Flat gasket 4	YW66040800000	39	Diaphragm valve 1.5"	-
14	Spring fastener	YW02003000400	40	Air suction pipe	-
15	Support pad	YR40000600300	41	Locknut M6	YW64000600200
16	1.5" Backstop fixing plate	-	42	Aluminum square handle L120	BW20012000040
17	1.5" Backstop	-	43	Inner hexagon cylindrical screw M6×20	YW61062000300
18	Feeding pipe fastener	-	44	Motor outside cover	-
19	Feeding pipe (With backstop)	-	45	Cross recessed pan head screw M5×15	YW62051500000
20	Flat gasket 5	YW66051000100	46	Quick connector 3" ×1/4PT	YW80031400000
21	Locknut M5	YW64000500000	47	Connection copper head	-
22	Hinge pin	-	48	Air pipe connector fixing plate	-
23	Flat gasket 8×22	YW66082200100	49	Connecting nut	-
24	E-ring 8	YW69896800000	50	Quick connector	YW80081400100
25	Down hinge	-	51	Up hinge	-
26	Control box base	-	52	T-branch pipe (optional)	-

* means possible broken parts; ** means easy broken part and a spare backup is suggested. Please confirm the version of manual before placing the purchase order to make sure that the item number of the spare part is in accordance with the real object.

2.2.17 Parts Drawing of Central Photosensor Hopper (SHR-24U-MES)



Note: Please refer to material list 2.2.18 for specific explanation of the Arabic numbers in parts drawing.

Picture 2-10: Parts Drawing of Central Photosensor Hopper (SHR-24U-MES)

2.2.18 Parts List (SHR-24U-MES)

Table 2-9: Parts List (SHR-24U-MES)

No.	Name	Part No.	No.	Name	Part No.
1	Inner hexagon cylindrical screw M6×15	YW61061600300	27	Hopper fastener	-
2	Glass pipe down flange	-	28	Hopper cover	-
3	Glass pipe fastener	YR10001200100	29	Motor fixing base	-
4	Glass pipe Φ280×Φ270×340	-	30	Diaphragm valve 2"	-
5	Flange connecting bar	-	31	Air suction pipe	-
6	Glass pipe up flange	-	32	Locknut M6	YE64000600200
7	Plastic handle screw	YW69621600000	33	Motor outside cover	-
8	Non-return piece	-	34	Aluminum square handle L120	BW20012000040
9	Storage tank	-	35	Flat gasket 6	YW66061300000
10	Pipe clamp	-	36	Spring gasket 6	YW65006000000
11	Control box	-	37	Inner hexagon cylindrical screw M6×20	YW61062000300
12	Locknut M4×5	YW68004500000	38	Cross recessed pan head screw M5×15	YW62051500000
13	Photosensor fixing base	-	39	Quick connector 3" ×1/4PT	YW80031400000
14	Pressing block for photosensor line	-	40	Connection copper head	-
15	Cross recessed pan head screw M4×10	YW63041000000	41	Air pipe connector fixing plate	-
16	Photosensor	YE15143900000	42	Connecting nut	-
17	Installation block for photosensor	-	43	Quick connector	YW80081400100
18	Photosensor fixing plate	-	44	Locknut M5	YW64000500000
19	Locknut M4×0.7	YW64040700100	45	Flat gasket 5	YW660051000100
20	Flat gasket 4	YW66040800000	46	Up hinge	-
21	Spring gasket	YW02003000400	47	Hinge pin	-
22	Pad	YR40000600300	48	Flat gasket 8×22	YW66082200100
23	2" Backstop	-	49	E-ring 8	YW69896800000
24	Feeding pipe fastener	-	50	Down hinge	-
25	Feeding pipe (With backstop)	-	51	Extra large hopper tank	-
26	Filter screen	-	52	T-branch pipe (optional)	-

* means possible broken parts; ** means easy broken part and a spare backup is suggested. Please confirm the version of manual before placing the purchase order to make sure that the item number of the spare part is in accordance with the real object.