



"Budget" Hopper Loader

SAL-300EB



Refer carefully to this manual before operation.

SAL-EB Series

■ Coding Principle

SAL - xxx EB



■ Features

- SAL-EB integrated design features compact structure and light weight
- Equipped with stainless steel filter screen
- Equipped with manual control switch, which is convenient to switch the power when installing the machine in high places.
- Hopper lid fixed by snap hook is easy for detaching;
- Audible alarm function
- Dust collective bag is for easy dust cleaning.



Dust collective bag



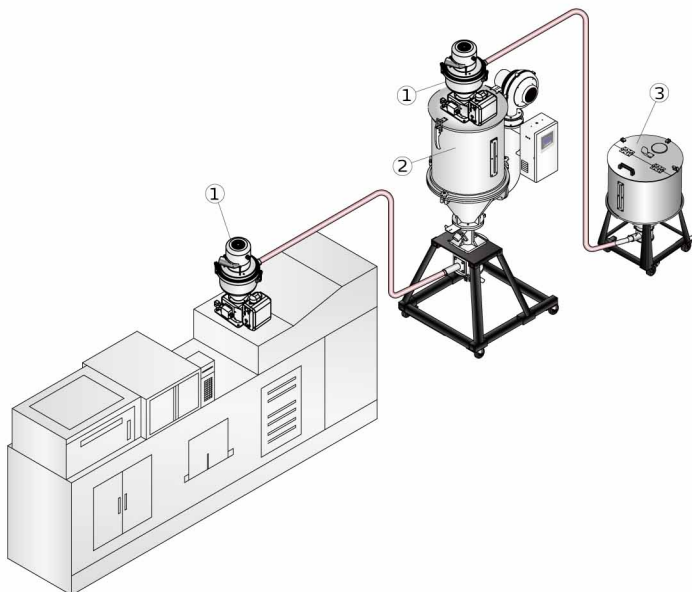
Stainless steel filter screen



Manipulator panel

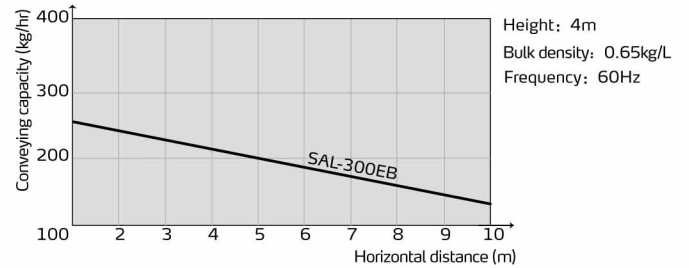
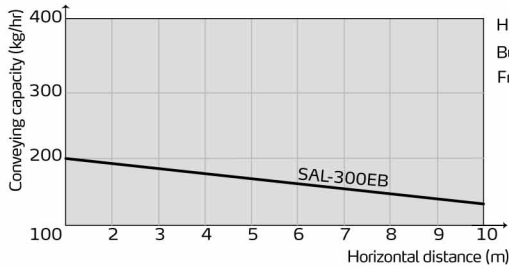
■ Application

The SAL-EB series of models are mainly used beside injection moulding machines, extrusion machines or other machines to dry the plastic materials, which are installed on the drying hopper directly. It also can collocate with the SICH or SCH collective hoppers to work on the inlet of the injection moulding machine. After setting, the machine can work automatically and independently without frequent adjustment.

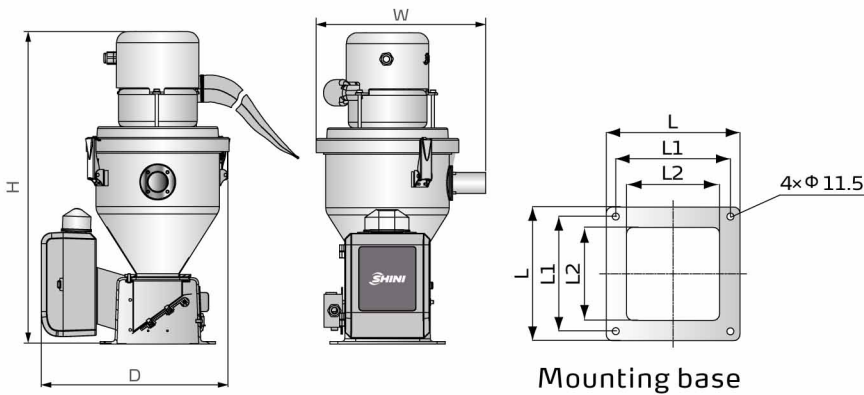


- 1.SAL-EB
- 2.SHD-E
- 3.MST

Conveying Capacity



Outline Drawings



Specifications

Model		SAL-300EB
Blower Type		Carbon brush
Motor Power (kW, 50/60Hz)		1.2/1.3
Conveying Pipe Dia. (inch)		1.5
Conveying Capacity (50/60Hz)		200/250
Hopper Capacity (L)		3
Material Level Control		Microswitch
Motor Reverse Purge		—
Dimensions	H (mm)	566
	W (mm)	310
	D (mm)	340
	L (mm)	210
	L1 (mm)	180
	L2 (mm)	148
Weight(kg)		13

Notes: 1) Test condition of conveying capacity: Plastic material of bulk density 0.65kg/L dia. 3~5mm, vertical conveying height: 4m, horizontal conveying distance: 1m.

2) "●" stands for standard, "○" stands for options, "-" stands for none.

3) Input Voltage: 1Φ, 115/230VAC, 50/60Hz.

We reserve the right to change specifications without prior notice.

Shini Group

Addr: No. 23, Minhe St., Shulin Dist.,
New Taipei, Taiwan

Tel: +886 2 2680 9119

Fax: +886 2 2680 9229

Email: shini@shini.com

Factories:

- Taiwan
- Dongguan
- Pinghu
- Ningbo
- Chongqing
- Pune

2023-02-15-04 Copyrights Reserved.

www.shini.com