



ST5-850-1400DT-S2-I-Lite

Light load servo drive-control integrated robot

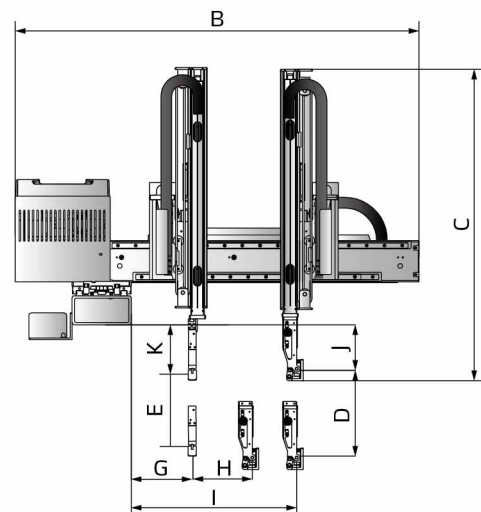
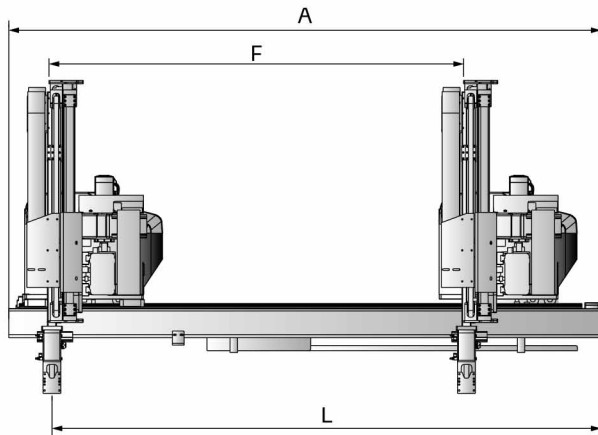
■ Features

- Advanced driver ensures stable performance;
- Highly modular design and card splice structure makes it only has to change corresponding module without disassembling and replacing the whole system during maintenance, which is better than most of other drive-control units in the market.
- The shared DC bus makes the driver work more stably, with better overload capacity. Moreover, it only needs a regenerative resistor, which saves mount space.
- The main control module and the servo module are connected in the unified base plate, which avoid cumbersome manual wiring and increases the system's stability and reliability;
- The servo parameters can be set by the controller directly;
- The bus controlled interface is suitable for all kinds of IMM (China GB, European and Japanese standards), suitable for new 7" manipulator;
- It has similar stability like drive-control splite system, but also saves the labor works of wiring, and it shortens the size of the control box.

■ Application

This robot series is designed for rapid and precise removal of products from injection molding machine, and place them at desired locations. Apply to 2/3-plate mold or hot runner system. Capable of arranging, stacking, quality checking and insert molding. Suitable for injection molding machine with clamping force 80~300 tons.

Outline Drawings



Specifications

Model	ST3-850-1400T-S2-I-Lite	ST3-1100-1600T-S2-I-Lite	ST5-850-1400DT-S2-I-Lite	ST5-1100-1600DT-S2-I-Lite	
Robot type	Single kick stroke beam	Single kick stroke beam	Single kick stroke beam	Single kick stroke beam	
IMM (ton)	80-200	250-300	80-200	250-300	
Traverse Stroke (mm)	1400	1600	1400	1600	
Crosswise Stroke (mm)	Main Arm	700	950	850	
	Sub Arm	-	-	550	850
Vertical stroke (mm)	Main Arm	850	1100	850	1100
	Sub Arm	-	-	850	1100
Max Load (with tool) (kg)	3	5	3	5	
Min Pick-out Time (sec)	1.4	1.6	1.4	1.6	
Min Cycle Time (sec)	5.9	6.5	5.9	6.5	
Air Pressure (bar)	4-6	4-6	4-6	4-6	
Max. Air Consumption (Nl/cycle) *	4	4	4	4	
Weight (kg)	230	260	260	290	
Dimensions (mm)	A	2060	2220	2060	2220
	B	1350	1600	1350	1600
	C	1200	1250	1200	1250
	D	850	1100	850	1100
	E	-	-	850	1100
	F	1400	1600	1400	1600
	G	-	-	140	90
	H	-	-	155	150
	I	780	1050	780	1050
	J	200	230	200	230
	K	-	-	210	250
	L	1800	2100	1800	2100

Notes: 1) "M" stands for middle mold detector. (suitable for three-plate mold.)

"EM12" stands for EUROMAP 12 communication interface.

"EM67" stands for EUROMAP 12 communication interface.

"N" stands for non-operation side, operation side without "N"

2) Power supply: 1Φ, 200-240V, 50/60Hz.

3) " * " Max. air consumption for vacuum device 60Nl/min.