



Separate-vacuum Hopper Loader

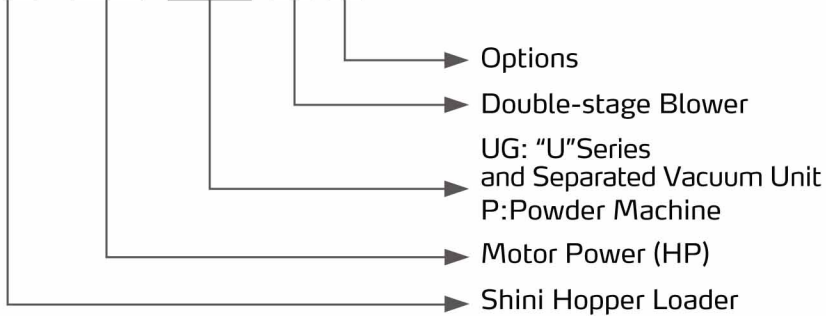
SAL-20HP-UG & SHR-48U



Refer carefully to the manual before operation.

■ Coding Principle

SAL - xxHP-UG(P)-(D)-xx



SAL-5HP-UG&SHR-24U-E

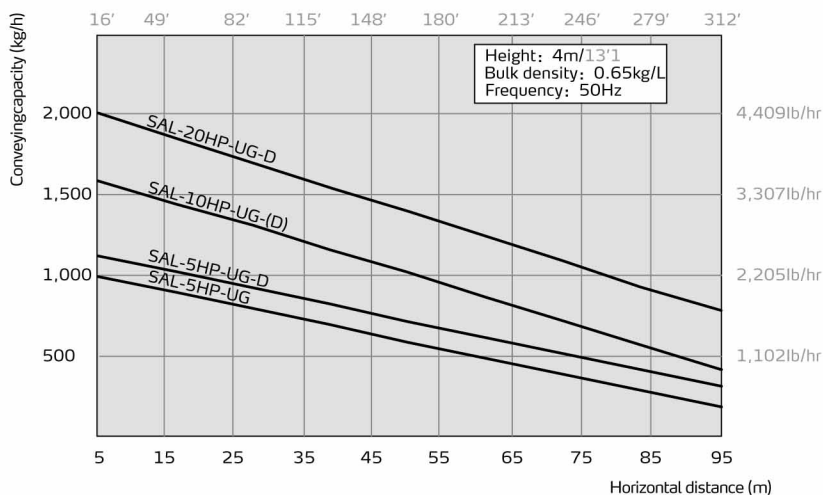
■ Features

- Two-stage cyclone and filter technology with large dust bin for quick and easy maintenance.
- Controller build-in proportional valve SPV-U control function.
- Standard vacuum breaking valve for quick material discharge.
- Stainless steel hopper receiver.
- All series of models have standard filter purging devices
- All series of models are equipped with standard filter purging devices

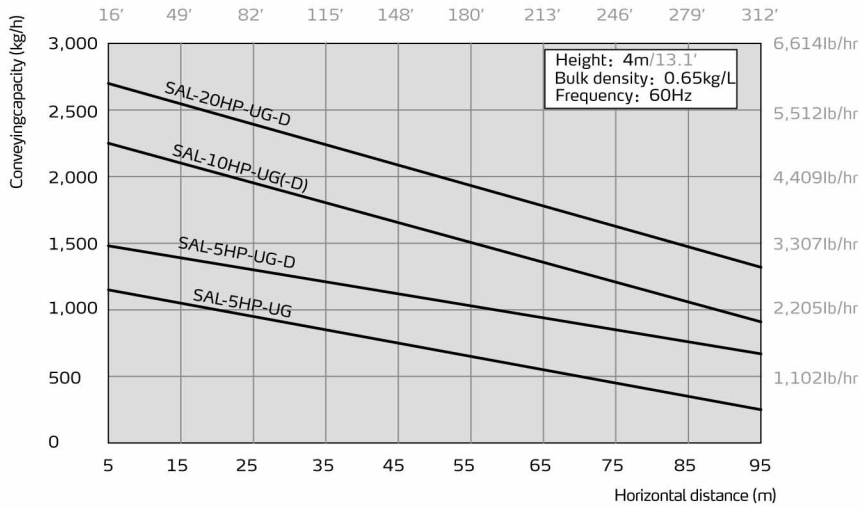


Vacuum breaking valve

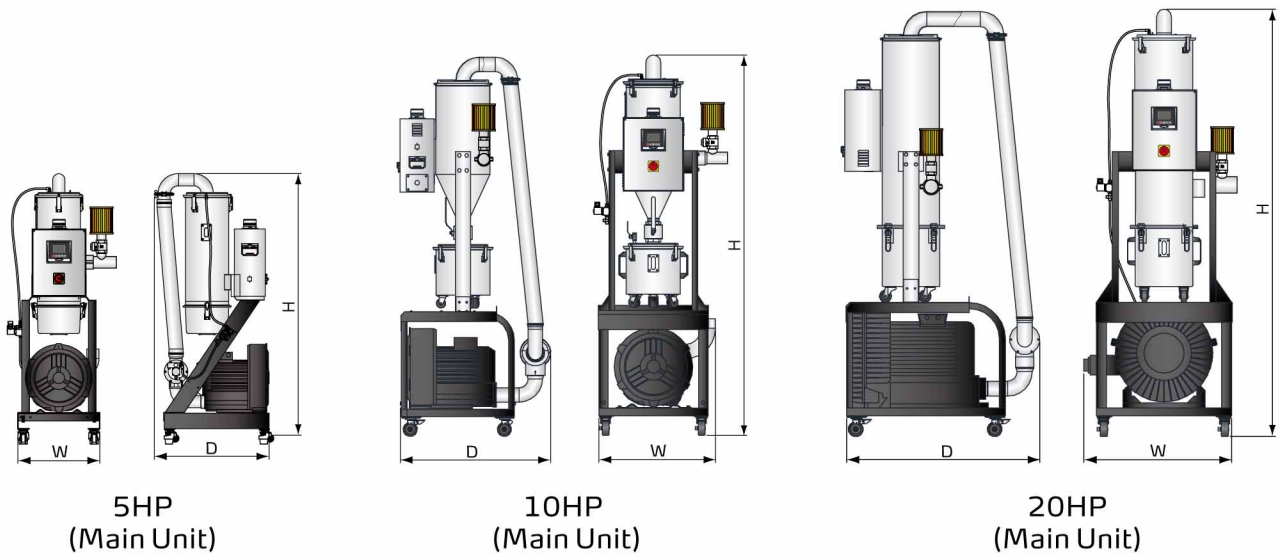
■ SAL-UG Conveying Capacity



SAL-UG/UGP Series



SAL-UG Outline Drawings



SAL-UGP Outline Drawings





■ SAL-UG Specifications

Main Unit					Hopper Receiver				Conveying Pipe Dia. (inch)	Vacuum Pipe Dia. (inch)	Conveying Capacity (50/60Hz)			
Model	Motor Power(kW) (50/60Hz)	Dimension H×W×D		Weight		Applied to		Hopper Capacity			kg/hr	lb/hr		
		mm	inch	kg	lb	L	gal	kg					lb	
SAL-5HP-UG	3.75/4.2	1380×470×600	54.3×18.5×23.6	74	163	SHR-24U×1 SVH-24L×1	24	6.4	9	20	2	2	1000/ 1100	2205/ 2423
SAL-5HP-UG-D	3.4/3.8	1380×670×600	54.3×26.4×23.6	76	168				13	29			1125/ 1480	2480/ 3260
SAL-10HP-UG	7.5/8.6	2015×620×795	79.3×24.4×31.3	160	353	SHR-36U ×1	36	9.5	11	24	2	2.5	1600/ 2250	3527/ 4957
SAL-10HP-UG-D		2015×790×795	79.3×31.1×31.3	162	357				15	33			2000/ 2700	4409/ 5948
SAL-20HP-UG-D	13/18.7	2200×745×1000	86.6×29.3×39.4	236	520	SHR-48U ×1	48	12.7	15	33	2.5	3	2000/ 2700	4409/ 5948

Notes:1) "SVH-L" stands for photosensor hopper receiver, "SHR-U" refers to vacuum hopper receiver.

2) Test condition of conveying capacity: Plastic material of bulk density 0.65kg/L(5.5lb/gal),

dia. 3~5mm/0.12~0.2inch, vertical conveying height: 4m/13.1feet, horizontal conveying distance: 5m/16.4feet.

3) Power supply: 3Φ, 230/400/460/575V, 50/60Hz

■ SAL-UGP Specifications (With cloth filter, this series is suitable for conveying materials containing 30% powder.)

Main Unit		Hopper Receiver							Cloth Filter Quantity	(Main Unit) H×W×D			
Model	Motor Power (kW, 50/60Hz)	Applied to	Conveying Pipe Dia. (inch)	Vacuum Pipe Dia. (inch)	Hopper Capacity		Hopper Dia.			Conveying Capacity(50HZ)		mm	inch
					L	gal	mm	inch	kg/hr	lb/hr			
SAL-1HP-UGP	0.75/0.85	SHR-P-12U	1.5	1.5	12	3.2	Φ270	Φ10.6	300	661	3	1000×400×500	39.4×15.7×19.7
SAL-2HP-UGP	1.5/1.8	SHR-P-30U			30	7.9	Φ380	Φ15	400	882			
SAL-3HP-UGP	1.85/2.0	SHR-P-60U	2	2	60	15.9	Φ440	Φ17.3	650	1433	10	1380×470×600	54.3×18.5×23.6
SAL-5HP-UGP	3.75/4.2								1200	2646			
SAL-5HP-UGP-D										1350	2976		1380×670×600
SAL-10HP-UGP	7.5/8.6	SHR-P-90U	2.5	2.5	90	23.8	Φ550	Φ21.7	2000	4409	19	2015×620×795	79.3×24.4×31.3
SAL-10HP-UGP-D												2015×790×795	79.3×31.1×31.3

We reserve the right to change specifications without prior notice.

SAL-UGP Specifications (With plate filter, this series is suitable for conveying materials containing 100% powder.)

Main Unit		Hopper Receiver							Plate Filter Quantity	(Main Unit) H×W×D			
Model	Motor Power (kW, 50/60Hz)	Applied to	Conveying Pipe Dia. (inch)	Vacuum Pipe Dia. (inch)	Hopper Capacity		Hopper Dia.			Conveying Capacity(50HZ)		mm	inch
					L	gal	mm	inch	kg/hr	lb/hr			
SAL-1HP-UGP	0.75/0.85	SHR-P-30U-1	1.5	1.5	30	7.9	Φ270	Φ10.6	300	661	1	1000×400×500	39.4×15.7×19.7
SAL-2HP-UGP	1.5/1.8	SHR-P-30U-2			30	7.9	Φ380	Φ15	400	882			
SAL-3HP-UGP	1.85/2.0	SHR-P-60U-3	2	2	60	15.9	Φ440	Φ17.3	650	1433	3	1380×470×600	54.3×18.5×23.6
SAL-5HP-UGP	3.75/4.2								1200	2646			
SAL-5HP-UGP-D										1350	2976		1380×670×600
SAL-10HP-UGP	7.5/8.6	SHR-P-90U-5	2.5	2.5	90	23.8	Φ550	Φ21.7	2000	441	5	2015×620×795	79.3×24.4×31.3
SAL-10HP-UGP-D												2015×790×795	79.3×31.1×31.3

Notes: 1) Test condition of conveying capacity: Use dried powder plastic material without any viscosity and its bulk density is 0.6kg/L(5.5lb/gal), vertical conveying height: 4m/13.1feet, horizontal conveying distance: 5m/16.4feet.

2) Power supply: 3Φ, 230/400/460/575V, 50/60Hz.

We reserve the right to change specifications without prior notice.

Shini Group

Addr: No. 23, Minhe St., Shulin Dist.,
New Taipei, Taiwan

Tel: +886 2 2680 9119

Fax: +886 2 2680 9229

Email: shini@shini.com

Factories:

- Taiwan
- Dongguan
- Pinghu
- Ningbo
- Chongqing
- Pune